

sliding window hardware *catalog*



double hung / single hung products



 **TRUTH
HARDWARE**

Connecting Innovations In Hardware With Windows,
Patio Doors, And Skylights.

sliding window hardware

catalog



double hung / single hung products



Sliding Window Hardware Catalog

TABLE OF CONTENTS

<u>Page No.</u>	<u>Product Line / Description</u>
1.....	700 Series - 700 Series Locks & Keepers
2.....	Recess Mount - Recess Mount Locks
3.....	7538 Series - Sash Lock & Keeper
4.....	9200 Series - Sash Lock & Keepers
5.....	17 Series - TrimLine™ Cam Locks
6.....	Misc. - TrimLine Cam Lock Keepers
7.....	9400 Series - Sash Lock
8.....	17 Series - EntryGard®II Cam Lock
9.....	Misc. - EntryGard® Cam Lock Keepers
10.....	17 Series - Sash Lock
11.....	17 Series - Button Lock
12.....	9850 Series - 9850 Series “Quick-Snap” Locks
13.....	9900 Series - 9900 Series Lock
14.....	9950 Series - 9950 Series Locks
15.....	30590 Series - Cam Gard Series Locks
16.....	17 Series - Restoration Lock
17.....	19 Series - Positive Action Lock (PAL) System
18.....	19 Series - Fusion™ System
19.....	Misc. - Tilt Latches
20.....	Misc. - Sash Lifts
21.....	Misc. - Window Rollers
22.....	Misc. - Pivot Bars
23.....	Misc. - Miscellaneous
24.....	Color Chart - Hardware Finishes



Terms & Conditions of Sale

TRUTH HARDWARE'S WARRANTY FOR WINDOW & DOOR MANUFACTURERS & AUTHORIZED DISTRIBUTORS

All Truth Hardware products, with the exception of electrical products*, are warranted against defects in materials and workmanship for the life of the product. Industry related testing has defined the typical lifetime of fenestration hardware to be 10 years.

Truth Hardware's warranty is expressly limited to window & door manufacturers and Truth Hardware Authorized Distributors, who purchase Truth Hardware products for the purpose of resale, or use in the ordinary course of the buyers business, and may not be assigned or transferred.

This warranty does not cover normal wear or discoloration on finishes, or any product which has been improperly installed, abused, misused, worn out, altered, used for a purpose other than that for which it was intended, or in a manner inconsistent with any instructions regarding its use, nor does it cover corrosion related damage. This warranty only covers electrical products that are used to drive manual hardware systems (operators and hinges) manufactured by Truth.

THIS WARRANTY IS EXCLUSIVE. TRUTH HARDWARE MAKES NO OTHER WARRANTY OF ANY KIND WHATSOEVER, EXPRESSED OR IMPLIED, WITH RESPECT TO THE PRODUCTS MANUFACTURED AND SOLD BY IT, WHETHER AS TO MERCHANTABILITY, FITNESS FOR A PARTICULAR PURPOSE, OR ANY OTHER MATTER. No agent, employee or representative of Truth Hardware has any authority to bind Truth Hardware to any affirmation, representation, or warranty concerning Truth Hardware products or parts, except stated herein.

If any product manufactured by Truth Hardware is found to be defective by Truth Hardware, in its sole judgment, Truth Hardware will, at its option, either repair or replace such defective product. Truth's liability is limited only to the replacement value of the hardware. THIS REMEDY SHALL BE THE EXCLUSIVE REMEDY AVAILABLE FOR ANY DEFECTS IN THE PRODUCTS MANUFACTURED AND SOLD BY TRUTH HARDWARE OR FOR DAMAGES RESULTING FROM ANY OTHER CAUSE WHATSOEVER, INCLUDING WITHOUT LIMITATION, TRUTH HARDWARE'S NEGLIGENCE. TRUTH HARDWARE SHALL NOT IN ANY EVENT BE LIABLE TO ANY BUYER FOR CONSEQUENTIAL, OR INCIDENTAL, OR PUNITIVE DAMAGES OF ANY KIND, OR FOR THE LABOR WHICH MAY BE REQUIRED FOR THE REPLACEMENT OF SAID PRODUCT, WHETHER FOR BREACH OF WARRANTY, NEGLIGENCE, ON THE BASIS OF STRICT LIABILITY, OR FOR ANY OTHER REASON.

The purpose of this exclusive remedy shall be to provide the window/door manufacturer, or Truth Hardware Authorized Distributor, with replacement of products, or parts, manufactured by Truth Hardware found to be

defective in materials or workmanship, or negligently manufactured. This exclusive remedy shall not be deemed to have failed of its essential purpose so long as Truth Hardware is willing and able to repair or replace said defective products or parts in the prescribed manner.

* All Truth Hardware electrical products, are warranted for one (1) year against defects in materials and workmanship.

Terms -

1%/10 days - net 30 days on hardware purchases. Net 30 days on freight charges. Tooling invoice terms available upon request.

Freight -

F.O.B. Factory

Conditions -

Initial orders, and all subsequent orders placed before credit is established with Truth Hardware, will be on a cash-in-advance or C.O.D. basis. Cash-in-advance orders will be entered by Truth Hardware upon the receipt of the order and payment. Pricing is determined at time of shipment.

Return Goods -

Authorization from our Sales Department is required in advance for all goods to be returned to Truth Hardware. Authorization will be granted in all cases of defective product or incorrect shipments due to an error on Truth Hardware's part. Truth Hardware may also, at its option, authorize the return of other goods subject to a 25% restocking charge and including and offsetting order equal in value to the amount of the return. Product considered for return must be standard product, built to current Truth Hardware manufacturing specifications, no older than the immediate past calendar year, clean, resalable, in full unopened cartons. The quantity to be returned cannot be excessive based on Truth Hardware's current level of sales and inventory position. Freight on all return goods must be prepaid to our plant and merchandise must be received within 30 days of date of authorization.



Truth Hardware's new 700 Series Locks are by far the most exciting aesthetic changes that have hit the checkrail marketplace in years. There are four new designs within the 700 Series family of locks - each with its own distinct appearance. However, as unique as they each are to the eye, the similarities in quality features that the 700 Series have as a whole make these products the "first family" of check rail locks.

FORGIVING CAM:

The forgiving cam is likely the most valuable feature that the window manufacturers will realize. This patented new innovative design helps to insure proper engagement between the lock and keeper even on assemblies where these two components may be misaligned. The benefits of this forgiving cam can help to reduce field service calls down the road.

SECURITY & RELIABILITY:

The pick-resistant design of these locks helps you exceed forced entry requirements.

POSITIVE SECURE ACTION:

An improved detent in both the locking and unlocking motion of the handle, assures the homeowner that the cam has completed its travel.

TIGHTER SEAL:

By pulling meeting rails tightly together and by producing a better seal of the sash at the head and sill, the 700 Series Lock decreases air infiltration. These locks produce a .105" (2.7mm) lifting ability (Arc style lock has a .156" (4.0mm) lifting ability). And with their new slimmer handle design options, their low profile design helps assure maximum egress opening. An innovative spring design holds the handle in both the locked and unlocked positions while a concealed locking mechanism protects moving parts from dust and dirt for added lock life.

INTERCHANGEABLE:

Designed for 2.062" (52.4mm) center-to-center hole spacing on both the lock and keepers, the 700 Series Locks are interchangeable with existing designs making the move up to this new design virtually seamless.

LOGO OPTIONS:

For that "personalized touch", most of Truth's 700 Series Check Rail Locks are capable of accepting your company's name or logo. Truth's unique custom print logo reproduction process is an attractive way of highlighting your company signature. For further details on the locks that accept this process, and where your company's logo would appear, please refer to the following drawings.

WARRANTY:

Protected under the terms of the Truth Warranty for Window & Door Manufacturers and Authorized Distributors. Refer to Truth's Terms & Conditions for further details.

MATERIAL:

High-pressure, corrosion-resistant, die-cast zinc.

FINISH:

Electrostatically applied, durable coatings that provide excellent resistance to chipping, scratching and corrosion while maintaining color stability for years in direct sunlight. Please refer to Truth's Color Chart for examples of Truth's most popular finish options. Truth also offers a wide range of decorative "plated" finishes - contact Truth for additional information on availability of these finishes on specific product lines.

ORDERING INFORMATION:

1. Choose the 700 Series Lock style desired (specify by part number).
2. Order the appropriate Keeper to fit your lock and window profile (refer to drawings).
3. Specify finish number.
4. Select screws (fasteners). Sold separately.

RECOMMENDED SCREWS:

4 - Phillips Flat Head Sheet Metal Screws. Refer to lock and keeper drawings for additional specs. (Length and thread type to be determined by profile) For further information on screw selection - see Truth Tips.



LOW S LOCK



ARC LOCK



DELTA LP1 LOCK



DELTA LP2 LOCK

700 SERIES LOCKS

TRUTH TIPS:

1. When two locks are used on one window, the placement of each lock, with respect to its keeper, becomes very critical to maintain a constant weatherseal on all sides of the window and to insure that each lock engages properly with its keeper.
2. For accurate hardware placement in vinyl or metal applications, pre-drilling of the window profile is recommended.
3. For vinyl window applications, mounting screws should pass through two PVC walls, or one PVC wall and one insert wall. For this reason, it may

be necessary to use a longer screw than is recommended.

4. For metal window profiles, Truth recommends stainless steel machine screws. However, in most applications, stainless steel sheet metal screws will provide adequate holding power.

INCLUDE TRUTH SPECS ON YOUR NEXT WINDOW PROJECT

Window check rail locks shall be included which will increase both security and weather seal tightness. The lock must provide easy operation and positive locked feel (detent).

Window check rail locks will be of internal cam design to provide .062" (4.0 mm) of pull-in to aid in sealing the meeting rails. The lock and accompanying keeper will help insure proper engagement even on assemblies where these two components may be misaligned. The lock and keeper shall be constructed of high pressure zinc alloy die castings.

Window locks shall be 700 Series Locks, as manufactured by Truth Hardware.

FIG. 1 APPLICATION OF 700 SERIES CHECKRAIL LOCKS

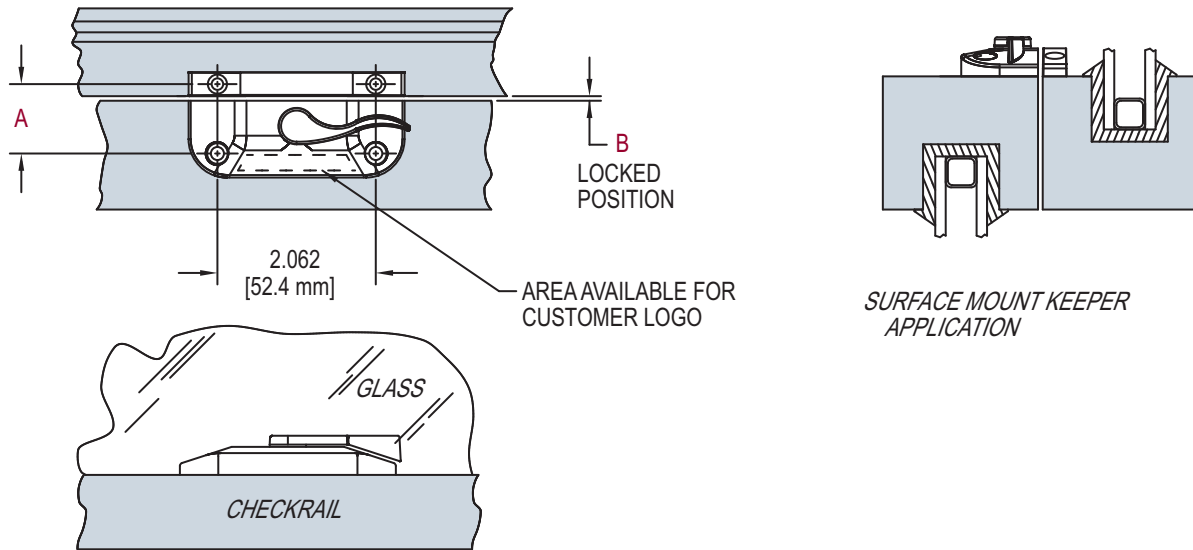
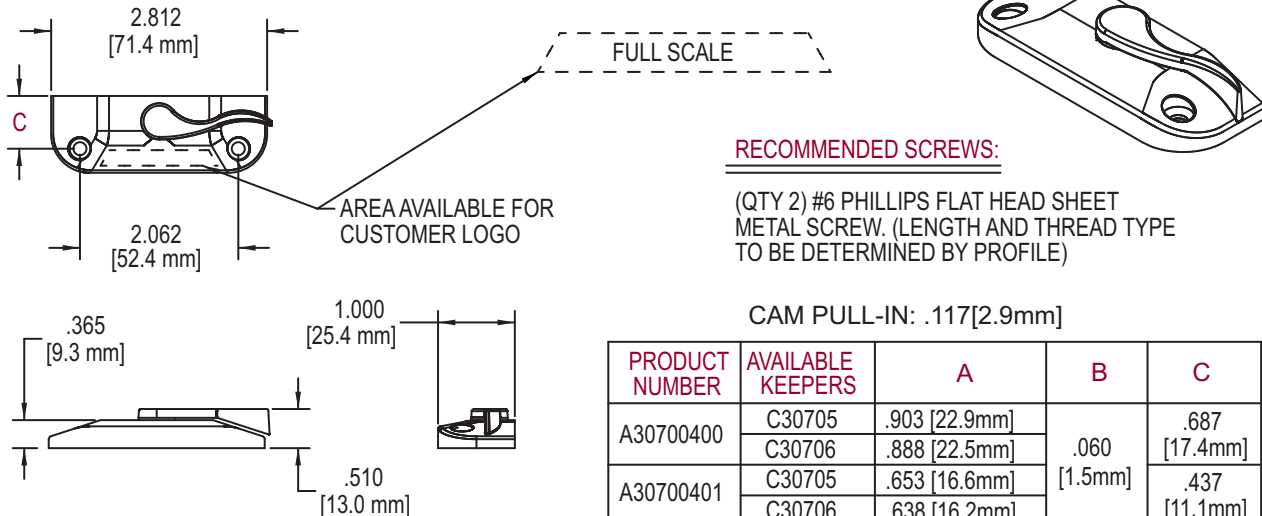
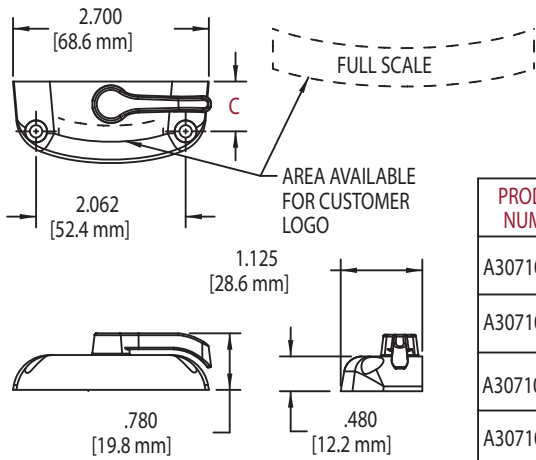


FIG. 2 700 SERIES LOW S LOCK



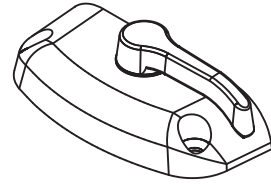
PRODUCT NUMBER	AVAILABLE KEEPERS	A	B	C
A30700400	C30705	.903 [22.9mm]	.060 [1.5mm]	.687 [17.4mm]
	C30706	.888 [22.5mm]		.437 [11.1mm]
A30700401	C30705	.653 [16.6mm]	.060 [1.5mm]	.687 [17.4mm]
	C30706	.638 [16.2mm]		.437 [11.1mm]
A30700410	C30705	.968 [24.6mm]	.060 [1.5mm]	.687 [17.4mm]
	C30706	.953 [24.2mm]		.437 [11.1mm]

FIG. 3 700 SERIES ARC LOCK



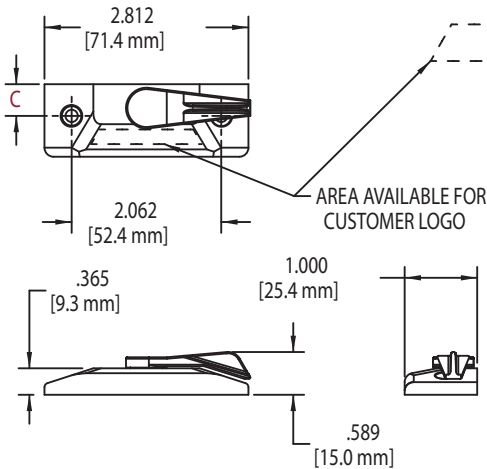
RECOMMENDED SCREWS:

(QTY 2) #7 PHILLIPS FLAT head SHEET METAL SCREWS. (LENGTH AND THREAD TYPE TO BE DETERMINED BY PROFILE.)



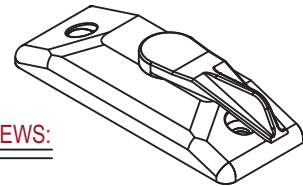
PRODUCT NUMBER	AVAILABLE KEEPERS	CAM PULL-IN	A	B	C
A30710400	C30715	.070 [1.7mm]	.903 [22.9mm]	.060 [1.5mm]	.687 [17.4mm]
	C30716		.882 [22.4mm]		.437 [11.1mm]
A30710401	C30715	.100 [2.5mm]	.653 [16.6mm]	.030 [7.7mm]	.687 [17.4mm]
	C30716		.632 [16.1mm]		.437 [11.1mm]
A30710402	C30715	.117 [2.9mm]	.873 [22.1mm]	.060 [1.5mm]	.687 [17.4mm]
	C30716		.852 [21.6mm]		.437 [11.1mm]
A30710403	C30715	.117 [2.9mm]	.623 [15.8mm]	.030 [7.7mm]	.687 [17.4mm]
	C30716		.602 [15.2mm]		.437 [11.1mm]

FIG. 4 700 SERIES DELTA LP1 LOCK



RECOMMENDED SCREWS:

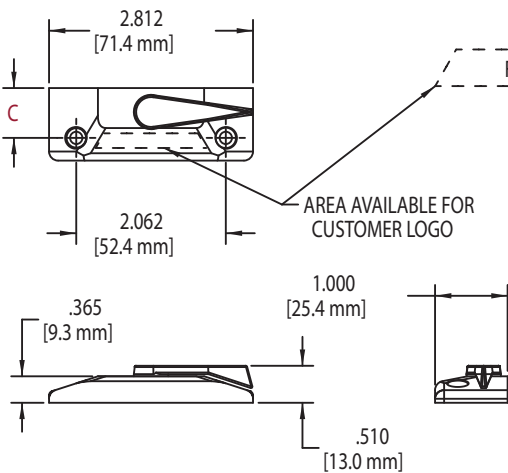
(QTY 2) #6 PHILLIPS FLAT HEAD SHEET METAL SCREWS. (LENGTH AND THREAD TYPE TO BE DETERMINED BY PROFILE.)



CAM PULL-IN: .117[2.9mm]

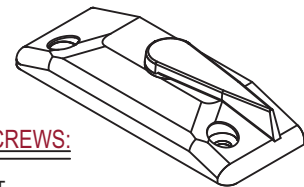
PRODUCT NUMBER	AVAILABLE KEEPERS	A	B	C
A30730400	C30705	903 [22.9mm]	.060 [1.5mm]	.687 [17.4mm]
	C30706	888 [22.5mm]		.437 [11.1mm]
A30730401	C30705	653 [16.6mm]	.030 [7.7mm]	.687 [17.4mm]
	C30706	638 [16.2mm]		.437 [11.1mm]

FIG. 5 700 SERIES DELTA LP2 LOCK



RECOMMENDED SCREWS:

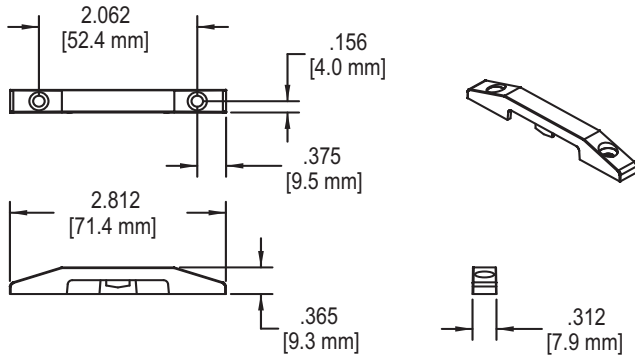
(QTY 2) #6 PHILLIPS FLAT HEAD SHEET METAL SCREWS. (LENGTH AND THREAD TYPE TO BE DETERMINED BY PROFILE.)



CAM PULL-IN: .117[2.9mm]

PRODUCT NUMBER	AVAILABLE KEEPERS	A	B	C
A30720400	C30705	903 [22.9mm]	.060 [1.5mm]	.687 [17.4mm]
	C30706	888 [22.5mm]		.437 [11.1mm]
A30720401	C30705	653 [16.6mm]	.030 [7.7mm]	.687 [17.4mm]
	C30706	638 [16.2mm]		.437 [11.1mm]

FIG. 6 C 30705 CHECK RAIL LOCK KEEPER

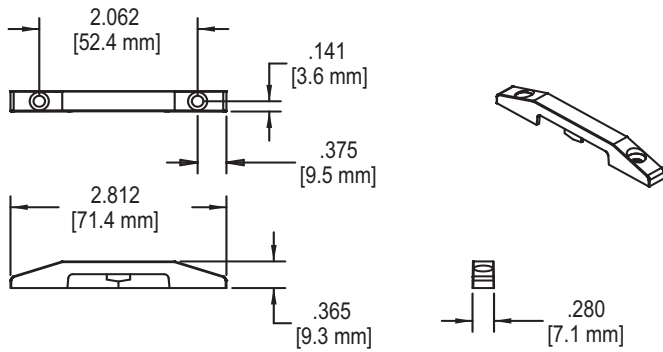


AVAILABLE LOCKS	A	B
A30700400	.903 [22.9mm]	.060 [1.5mm]
A30700401	.653 [16.6mm]	
A30700400	.903 [22.9mm]	
A30700401	.653 [16.6mm]	
A30700400	.903 [22.9mm]	
A30700401	.653 [16.6mm]	

RECOMMENDED SCREWS:

(QTY 2) #6 SCREW WITH A #5 HEAD, PHILLIPS FLAT HEAD SHEET METAL SCREW. (LENGTH AND THREAD TYPE TO BE DETERMINED BY PROFILE.)

FIG. 7 C 30706 CHECK RAIL LOCK KEEPER

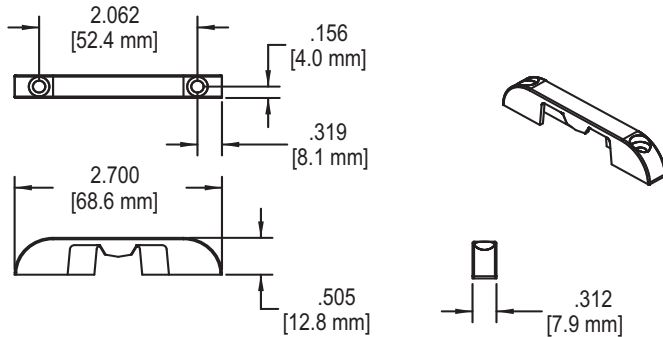


AVAILABLE LOCKS	A	B
A30700400	.888 [22.5mm]	.060 [1.5mm]
A30700401	.638 [16.2mm]	
A30700400	.888 [22.5mm]	
A30700401	.638 [16.2mm]	
A30700400	.888 [22.5mm]	
A30700401	.638 [16.2mm]	

RECOMMENDED SCREWS:

(QTY 2) #6 SCREW WITH A #5 HEAD, PHILLIPS FLAT HEAD SHEET METAL SCREW. (LENGTH AND THREAD TYPE TO BE DETERMINED BY PROFILE.)

FIG. 8 C 30715 CHECK RAIL LOCK KEEPER

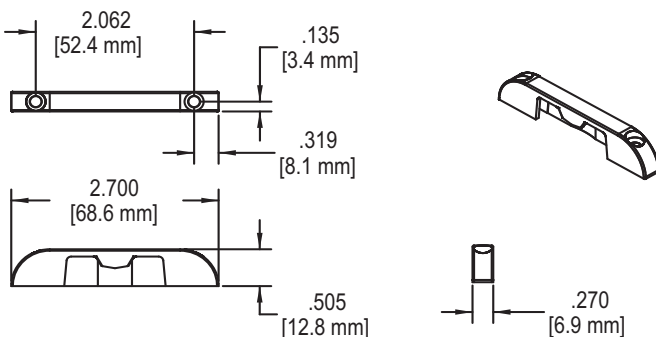


AVAILABLE LOCKS	A	B
A30700400	.903 [22.9mm]	.060 [1.5mm]
A30700401	.653 [16.6mm]	
A30700400	.873 [22.1mm]	.030 [.7mm]
A30700401	.623 [15.8mm]	

RECOMMENDED SCREWS:

(QTY 2) #6 PHILLIPS FLAT HEAD SHEET METAL SCREW. (LENGTH AND THREAD TYPE TO BE DETERMINED BY PROFILE.)

FIG. 9 C 30716 CHECK RAIL LOCK KEEPER



AVAILABLE LOCKS	A	B
A30700400	.882 [22.4mm]	.060 [1.5mm]
A30700401	.632 [16.1mm]	
A30700402	.852 [22.6mm]	.030 [.7mm]
A30700403	.602 [15.2mm]	

RECOMMENDED SCREWS:

(QTY 2) #6 SCREW WITH A #5 HEAD, PHILLIPS FLAT HEAD SHEET METAL SCREW. (LENGTH AND THREAD TYPE TO BE DETERMINED BY PROFILE.)



The options available on Truth Hardware's 9200 Series Sash Locks are virtually endless.

- There are bases with or without alignment lugs which are helpful in preventing side shift of the sash (See Truth Tip #1).
- There are various mounting hole patterns from which to choose, which will ensure that your hardware is located in the most efficient location for optimum holding power (See Truth Tip #5).
- A variety of locking cams are available that help to pull meeting rails tightly together and will produce a better seal of the sash at the head and sill to help decrease air infiltration. Another reason for optional cam sizes is to help avoid potential interference created when the cam extends out to far. Refer to the following drawings to find the one which best meets your requirements.
- Based on window design, and the space allowed for mounting the window hardware – some window systems are better suited for narrower keepers, or even face-mounted varieties. The 9200 Series has a number of Top Mount, and Face Mount keepers to choose from.

LOGO OPTIONS: For that “personalized touch”, Truth’s 9200 Series Check Rail Locks are capable of accepting your company’s name or logo. Truth’s logo reproduction process is an attractive way of highlighting your company signature. For further details on where your company’s logo would appear, please refer to the following drawings.

WARRANTY:

Protected under the terms of the “Truth Warranty for Window & Door Manufacturers & Authorized Distributors”. Refer to Truth’s Terms & Conditions for further details.

MATERIAL: High-pressure, corrosion-resistant, die-cast zinc.

FINISH: Electrostatically applied, durable coatings that provide excellent resistance to chipping, scratching and corrosion while maintaining color



stability for years in direct sunlight. Please refer to Truth’s Color Chart for examples of Truth’s most popular finish options. Truth also offers a wide range of decorative “plated” finishes – contact Truth for additional information on availability of these finishes on specific product lines.

ORDERING INFORMATION:

1. Choose the 9200 Series Cam Lock style desired (specify by part number).
2. Specify finish number.
3. Specify Keeper to be ordered.

RECOMMENDED SCREWS:

Types of screws required determined by material of profile used (sold separately). For additional information on screw selection - see Truth Tips.

TRUTH TIPS:

1. A lock with pick-resistant alignment nibs should be used whenever possible. A lock without nibs should be chosen when the lugs cause interference with divided light grills or other window features.
2. A lock with a small cam should be used when the larger sweep radius of the .125” (3.2 mm) pull-in cam causes interference with the glazing or other areas of the profile. A face-mounted keeper is usually required.
3. When two locks are used on one window, the placement of each lock, with respect to its keeper, becomes very critical to maintain a constant weatherseal on all sides of the window and to insure that each lock engages properly with its keeper.
4. For accurate hardware placement in vinyl or metal applications, pre-drilling of the window profile is recommended.

5. For vinyl window applications, mounting screws should pass through two PVC walls, or one PVC wall and one insert wall. For this reason, it may be necessary to use a longer screw than is recommended.

6. For metal window profiles, Truth recommends stainless steel machine screws. However, in most applications, stainless steel sheet metal screws will provide adequate holding power.

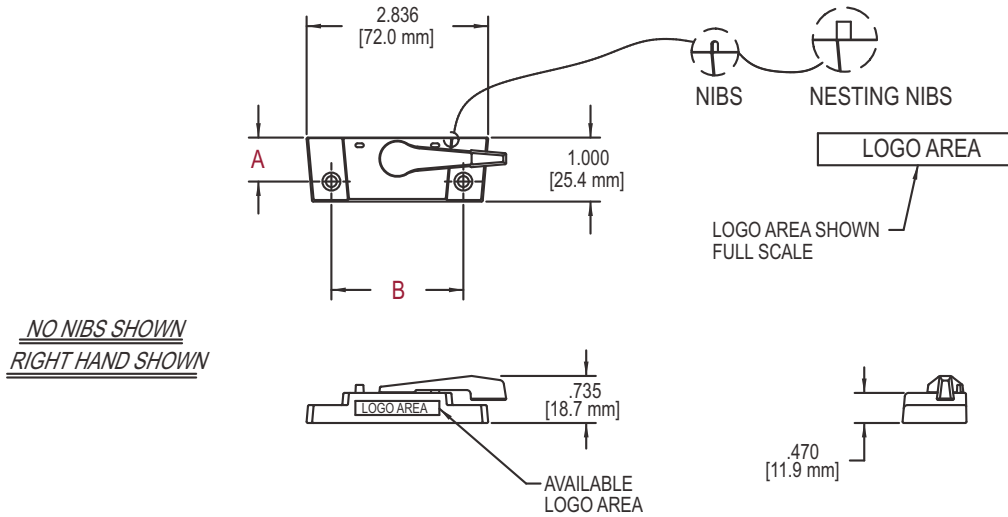
INCLUDE TRUTH SPECS ON YOUR NEXT WINDOW PROJECT

Window check rail locks shall be included which will increase both security and weather seal tightness. The lock must provide easy operation and positive locked feel.

Window check rail locks will be of internal cam design to provide optimum pull-in to aid in sealing the meeting rails. The lock and accompanying keeper will prevent misalignment during locking. The lock and keeper shall be constructed of high pressure zinc alloy die castings.

Window locks shall be 9200 Series locks as manufactured by Truth Hardware.

FIG. 1 SASH LOCK AND KEEPER

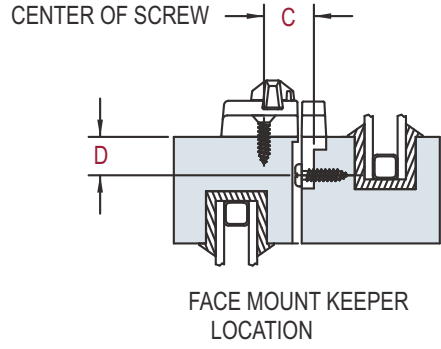
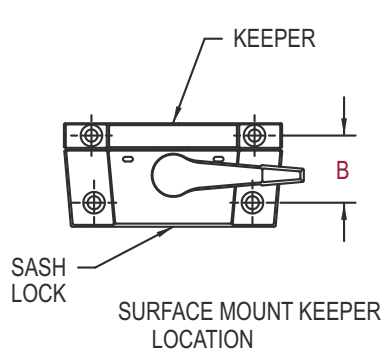


PART NUMBER	"A" DIMENSION	"B" DIMENSION	HANDING		NIBS			RECOMMENDED SCREWS *	CAM REACH
			RH	LH	NO NIBS	NIBS	NESTING NIBS		
A09200400	0.390 (9.9mm)	2.250 (57.2mm)	X		X			# 8 SCREW	0.06 (1.5mm)
A09200401	0.390 (9.9mm)	2.250 (57.2mm)	X			X		# 8 SCREW	0.06 (1.5mm)
A09200402	0.437 (11.1mm)	2.062 (52.4mm)	X				X	# 6 SCREW	0.06 (1.5mm)
A09200407	0.687 (17.4mm)	2.062 (52.4mm)	X			X		# 6 SCREW	0.06 (1.5mm)
A09200409	0.687 (17.4mm)	2.062 (52.4mm)	X		X			# 6 SCREW	0.06 (1.5mm)
A09200411	0.719 (18.3mm)	2.156 (54.8mm)	X		X			# 8 SCREW	0.06 (1.5mm)
A09200412	0.437 (11.1mm)	2.062 (52.4mm)	X		X			# 6 SCREW	0.06 (1.5mm)
A09200416	0.437 (11.1mm)	2.062 (52.4mm)	X		X			# 6 SCREW	NO PULL-IN
A09200417	0.687 (17.4mm)	2.062 (52.4mm)	X		X			# 6 SCREW	NO PULL-IN
A09200420	0.687 (17.4mm)	2.062 (52.4mm)	X				X	# 6 SCREW	0.06 (1.5mm)
A09200427	0.687 (17.4mm)	2.062 (52.4mm)	X		X			# 6 SCREW	0.06 (1.5mm)
A09200430	0.390 (9.9mm)	2.250 (57.2mm)	X		X			# 8 SCREW	0.06 (1.5mm)
A09200432	0.390 (9.9mm)	2.250 (57.2mm)	X				X	# 8 SCREW	0.06 (1.5mm)
A09200441	0.437 (11.1mm)	2.250 (57.2mm)	X		X			# 8 SCREW	0.06 (1.5mm)
A09200457	0.437 (11.1mm)	2.250 (57.2mm)		X	X			# 8 SCREW	0.06 (1.5mm)
A09200520	0.687 (17.4mm)	2.062 (52.4mm)	X		X			# 6 SCREW	0.06 (1.5mm)
A09200537	0.687 (17.4mm)	2.062 (52.4mm)		X			X	# 6 SCREW	0.06 (1.5mm)
A09200580	0.687 (17.4mm)	2.062 (52.4mm)	X		X			.187 DIA. RIVET	0.06 (1.5mm)
A09200599	0.719 (18.3mm)	2.156 (54.8mm)	X		X			# 6 SCREW	0.06 (1.5mm)

* ALL SCREWS ARE TO BE PHILLIPS FLAT HEAD. (LENGTH AND TYPE TO BE DETERMINED BY PROFILE)

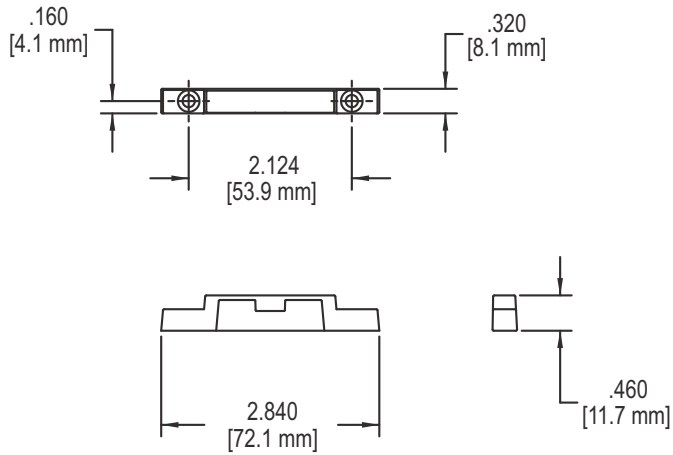
FIG. 2 LOCK/KEEPER COMPATIBILITY TABLES

		"B" DIMENSION (HOLE CENTER TO HOLE CENTER-LOCK TO KEEPER)																		
		LOCKS																		
		A09200400	A09200401	A09200402	A09200407	A09200409	A09200411	A09200412	A09200416	A09200417	A09200420	A09200427	A09200430	A09200432	A09200441	A09200457	A09200520	A09200537	A09200580	A09200599
SURFACE MOUNT KEEPERS	C08924	.60	--	--	--	.60	.93	.65	.65	.90	--	.90	.60	--	.65	.65	.90	--	.90	.93
	C09022	--	.60	--	.90	--	--	--	--	--	--	--	--	--	--	--	--	--	--	--
	C09145	--	.57	--	.87	--	--	--	--	--	--	--	--	--	--	--	--	--	--	--
	C09256	--	.58	--	.87	--	--	--	--	--	--	--	--	--	--	--	--	--	--	--
	C09335	--	--	.64	--	--	--	--	--	--	.89	--	--	.59	--	--	--	.89	--	--
	C09336	.59	--	.64	--	.89	.92	.64	.64	.89	.89	.89	.59	.59	.64	.64	.89	.89	.89	.92
	C09452	--	--	.64	--	--	--	--	--	--	.89	--	--	.59	--	--	--	.89	--	--
	C09717	.57	--	--	--	.87	.90	.62	.62	.87	--	.87	.57	--	.62	.62	.87	--	.87	.90
	C09968	--	.79	--	1.08	--	--	--	--	--	--	--	--	--	--	--	--	--	--	--
	C30022	.60	--	--	--	.89	.93	.65	.65	.90	--	.90	.60	--	.65	.65	.90	--	.90	.93



		LOCKS													
		DIMENSION	A09200400	A09200409	A09200411	A09200412	A09200416	A09200417	A09200427	A09200430	A09200441	A09200457	A09200520	A09200580	A09200599
FACE MOUNT KEEPERS	C09062	C	0.63	0.93	0.96	0.68	0.66	0.91	0.93	0.63	0.68	0.68	0.93	0.93	0.96
		D	1.08	1.08	1.08	1.08	1.08	1.08	1.06	1.08	1.08	1.08	1.08	1.08	1.12
	C09312	C	0.40	0.70	0.73	0.50	0.48	0.68	0.70	0.40	0.45	0.45	0.70	0.70	0.73
		D	0.50	0.50	0.50	0.50	0.50	0.50	0.48	0.50	0.50	0.50	0.50	0.50	0.52
	C09391	C	--	--	--	--	--	--	--	--	--	--	--	--	1.08
		D	--	--	--	--	--	--	--	--	--	--	--	--	0.22
	C09659	C	0.65	0.95	0.98	0.70	0.68	0.93	0.95	0.65	0.70	0.70	0.95	0.95	0.98
		D	0.32	0.32	0.32	0.32	0.32	0.32	0.30	0.32	0.32	0.32	0.32	0.32	0.35
	C09697	C	0.65	0.95	0.98	0.70	0.68	0.93	0.95	0.65	0.70	0.70	0.95	0.95	0.98
		D	0.85	0.85	0.85	0.85	0.85	0.85	0.83	0.85	0.85	0.85	0.85	0.85	0.89
	C09906	C	--	--	--	--	--	--	--	--	--	--	--	--	1.08
		D	--	--	--	--	--	--	--	--	--	--	--	--	0.22

FIG. 3 C08924XX KEEPER



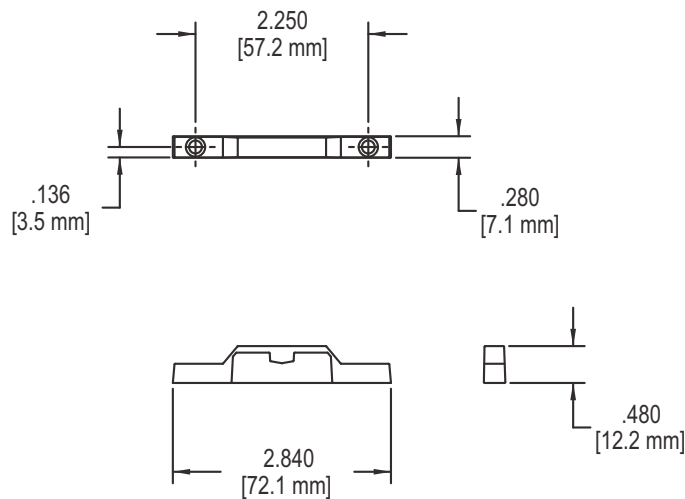
AVAILABLE LOCKS

LOCK PART NUMBER	"B" SEE FIG. 2
A09200400	0.60 (15.2mm)
A09200409	0.60 (15.2mm)
A09200411	0.93 (23.5mm)
A09200412	0.65 (16.5mm)
A09200416	0.65 (16.5mm)
A09200417	0.90 (22.9mm)
A09200427	0.90 (22.9mm)
A09200430	0.60 (15.2mm)
A09200441	0.65 (16.5mm)
A09200457	0.65 (16.5mm)
A09200520	0.90 (22.9mm)
A09200580	0.90 (22.9mm)
A09200599	0.93 (23.5mm)

RECOMMENDED SCREWS:

(QTY 2) #6 PHILLIPS FLAT HEAD SCREWS
(LENGTH AND THREAD TYPE TO BE DETERMINED BY PROFILE)

FIG. 4 C09335XX KEEPER



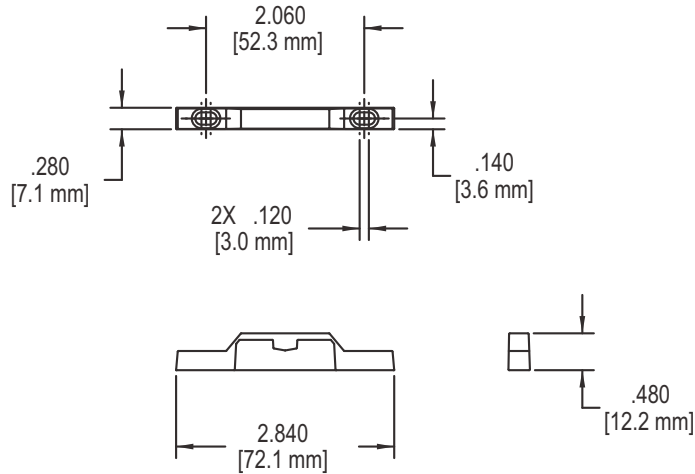
AVAILABLE LOCKS

LOCK PART NUMBER	"B" SEE FIG. 2
A09200402	0.64 (16.3mm)
A09200420	0.89 (22.6mm)
A09200432	0.59 (15.0mm)
A09200537	0.89 (22.6mm)

RECOMMENDED SCREWS:

(QTY 2) #6 SCREW WITH A #5 HEAD
(LENGTH AND THREAD TYPE TO BE DETERMINED BY PROFILE.)

FIG. 5 C09452XX KEEPER



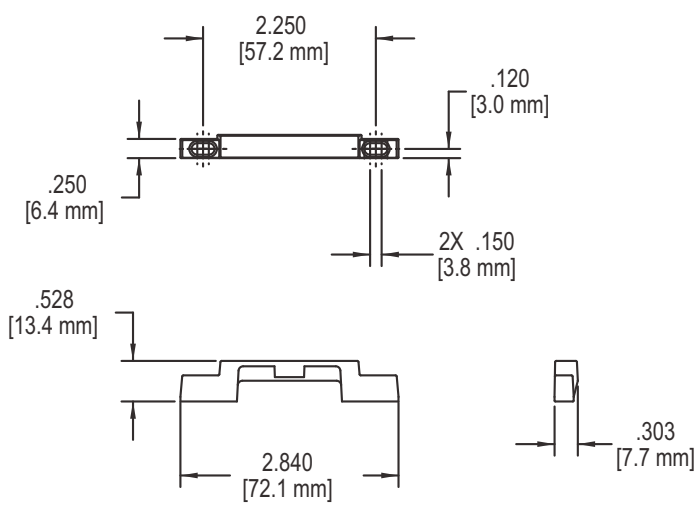
AVAILABLE LOCKS

LOCK PART NUMBER	"B" SEE FIG. 2
A09200402	0.64 (16.3mm)
A09200420	0.89 (22.6mm)
A09200432	0.59 (15.0mm)
A09200537	0.89 (22.6mm)

RECOMMENDED SCREWS:

(QTY 2) #6 SCREW WITH A #5 HEAD (LENGTH AND THREAD TYPE TO BE DETERMINED BY PROFILE.)

FIG. 6 C09717XX KEEPER



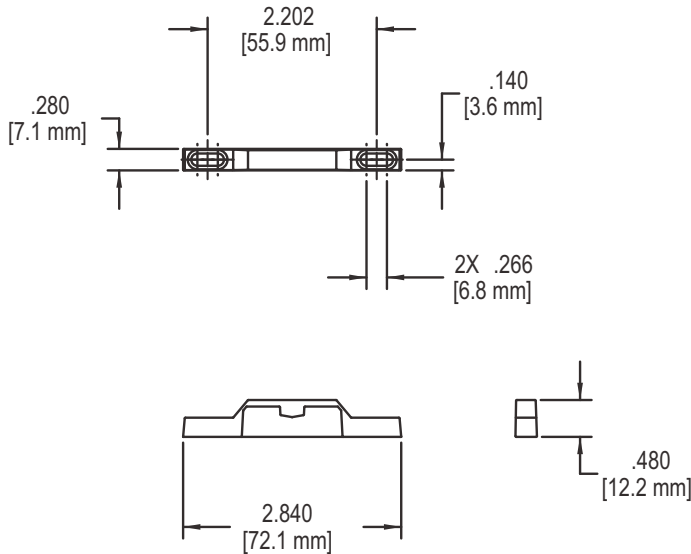
AVAILABLE LOCKS

LOCK PART NUMBER	"B" SEE FIG. 2
A09200400	0.57 (14.5mm)
A09200409	0.87 (22.1mm)
A09200411	0.90 (22.9mm)
A09200412	0.62 (15.7mm)
A09200416	0.62 (15.7mm)
A09200417	0.87 (22.1mm)
A09200427	0.87 (22.1mm)
A09200430	0.57 (14.5mm)
A09200441	0.62 (15.7mm)
A09200457	0.62 (15.7mm)
A09200520	0.87 (22.1mm)
A09200580	0.87 (22.1mm)
A09200599	0.90 (22.9mm)

RECOMMENDED SCREWS:

(QTY 2) #6 PHILLIPS FLAT HEAD SCREWS. (LENGTH AND THREAD TYPE TO BE DETERMINED BY PROFILE.)

FIG. 7 C09336XX KEEPER



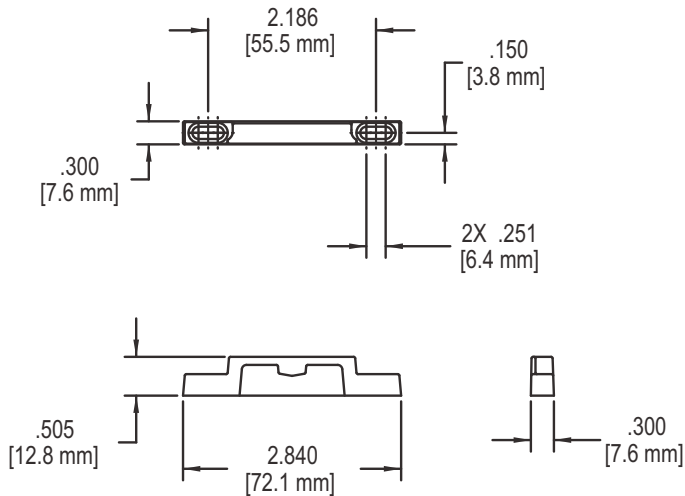
RECOMMENDED SCREWS:

(QTY 2) #6 PHILLIPS FLAT HEAD SCREWS. (LENGTH AND THREAD TYPE TO BE DETERMINED BY PROFILE.)

AVAILABLE LOCKS

LOCK PART NUMBER	"B" SEE FIG. 2
A09200400	0.59 (15.0mm)
A09200402	0.64 (16.3mm)
A09200409	0.89 (22.6mm)
A09200411	0.92 (23.4mm)
A09200412	0.64 (16.3mm)
A09200416	0.64 (16.3mm)
A09200417	0.89 (22.6mm)
A09200420	0.89 (22.6mm)
A09200427	0.89 (22.6mm)
A09200430	0.59 (15.0mm)
A09200432	0.59 (15.0mm)
A09200441	0.64 (16.3mm)
A09200457	0.64 (16.3mm)
A09200520	0.89 (22.6mm)
A09200537	0.89 (22.6mm)
A09200580	0.89 (22.6mm)
A09200599	0.92 (23.4mm)

FIG. 8 C030022XX KEEPER



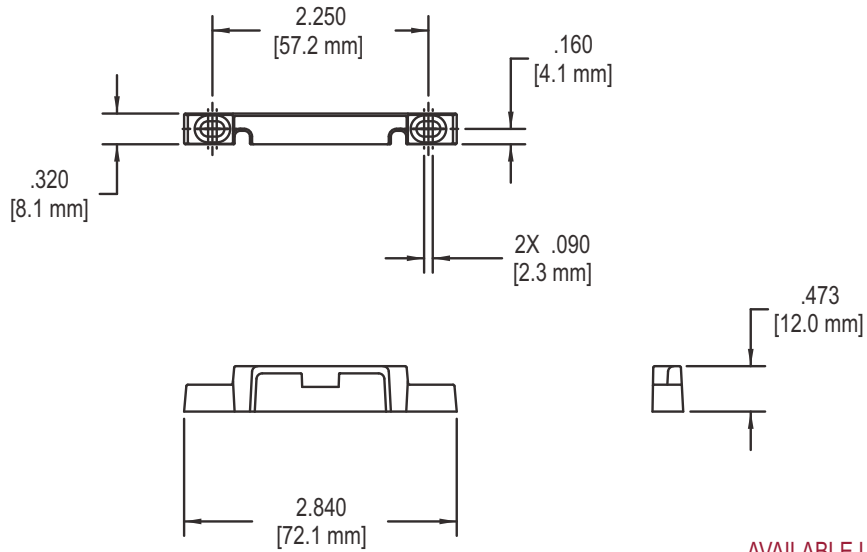
RECOMMENDED SCREWS:

(QTY 2) #6 PHILLIPS FLAT HEAD SCREWS. (LENGTH AND THREAD TYPE TO BE DETERMINED BY PROFILE.)

AVAILABLE LOCKS

LOCK PART NUMBER	"B" SEE FIG. 2
A09200400	0.60 (15.2mm)
A09200409	0.89 (22.6mm)
A09200411	0.93 (23.5mm)
A09200412	0.65 (16.5mm)
A09200416	0.65 (16.5mm)
A09200417	0.90 (22.9mm)
A09200427	0.90 (22.9mm)
A09200430	0.60 (15.2mm)
A09200441	0.65 (16.5mm)
A09200457	0.65 (16.5mm)
A09200520	0.90 (22.9mm)
A09200580	0.90 (22.9mm)
A09200599	0.93 (23.5mm)

FIG. 9 C09022XX KEEPER



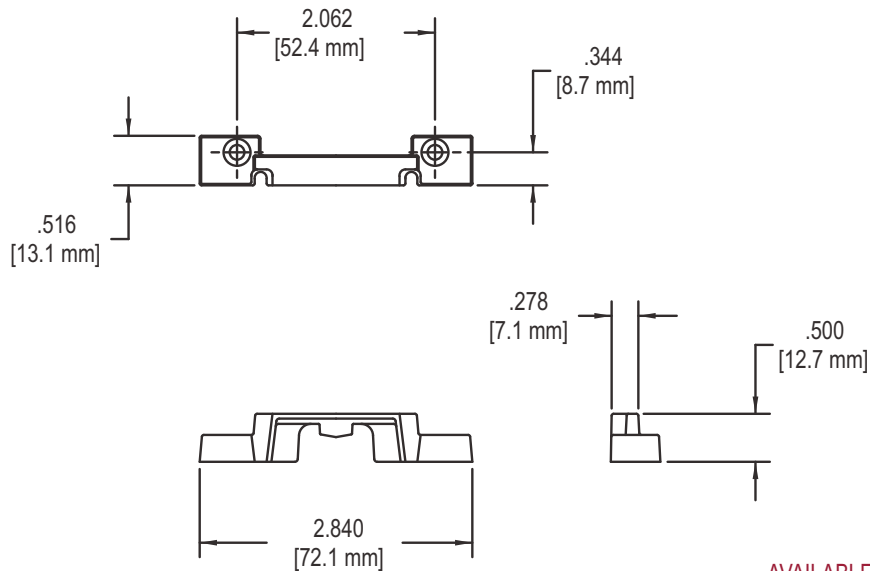
RECOMMENDED SCREWS:

(QTY 2) #8 PHILLIPS FLAT HEAD SCREWS. (LENGTH AND THREAD TYPE TO BE DETERMINED BY PROFILE.)

AVAILABLE LOCKS

LOCK PART NUMBER	"B" SEE FIG. 2
A09200401	0.60 (15.2mm)
A09200407	0.90 (22.9mm)

FIG. 10 C09968XX KEEPER



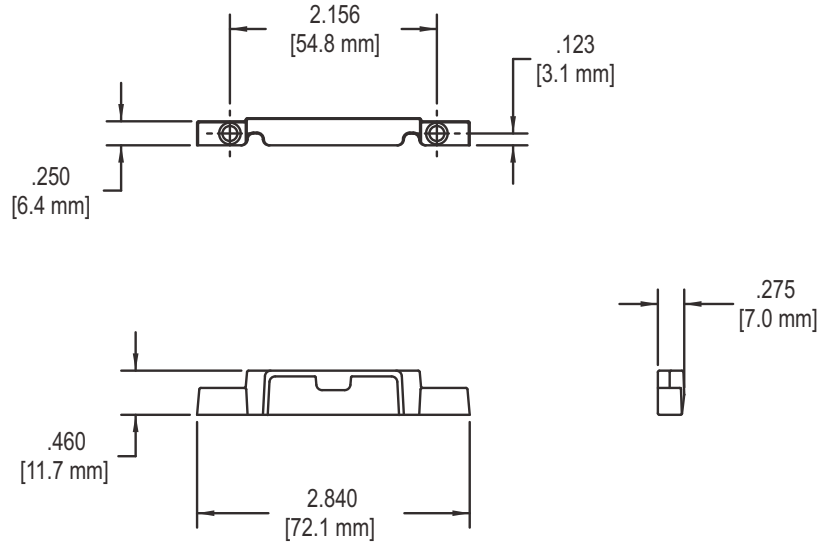
RECOMMENDED SCREWS:

(QTY 2) #6 PHILLIPS FLAT HEAD SCREWS. (LENGTH AND THREAD TYPE TO BE DETERMINED BY PROFILE.)

AVAILABLE LOCKS

LOCK PART NUMBER	"B" SEE FIG. 2
A09200401	0.79 (20.1mm)
A09200407	1.08 (27.4mm)

FIG. 11 C09145XX KEEPER



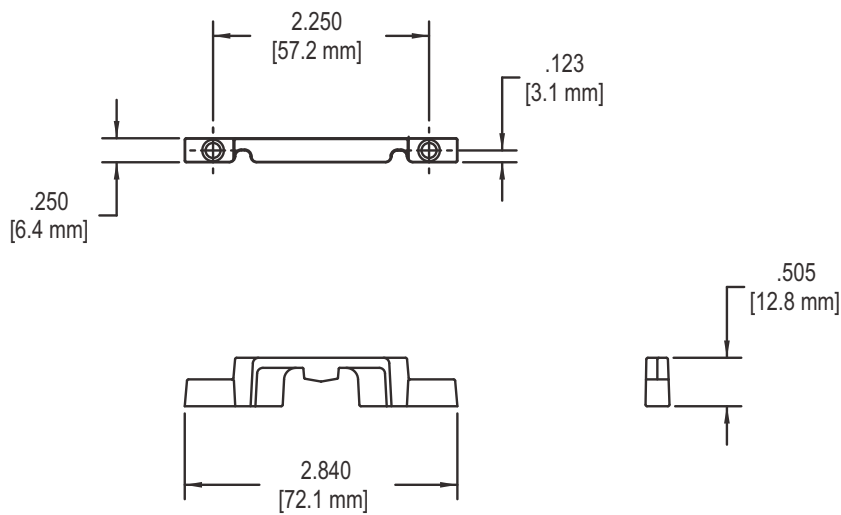
RECOMMENDED SCREWS:

(QTY 2) #8 PHILLIPS FLAT HEAD SCREWS. (LENGTH AND THREAD TYPE TO BE DETERMINED BY PROFILE.)

AVAILABLE LOCKS

LOCK PART NUMBER	"B" SEE FIG. 2
A09200401	0.57 (14.5mm)
A09200407	0.87 (22.1mm)

FIG. 12 C09256XX KEEPER



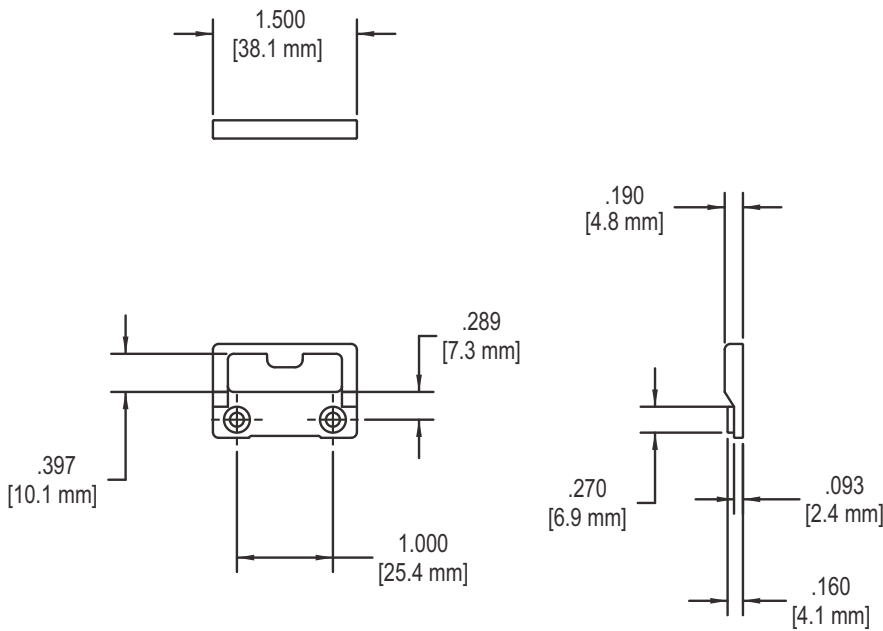
RECOMMENDED SCREWS:

(QTY 2) #6 PHILLIPS FLAT HEAD SCREWS. (LENGTH AND THREAD TYPE TO BE DETERMINED BY PROFILE.)

AVAILABLE LOCKS

LOCK PART NUMBER	"B" SEE FIG. 2
A09200401	0.57 (14.5mm)
A09200407	0.87 (22.1mm)

FIG. 13 C09659XX FACE MOUNT KEEPER



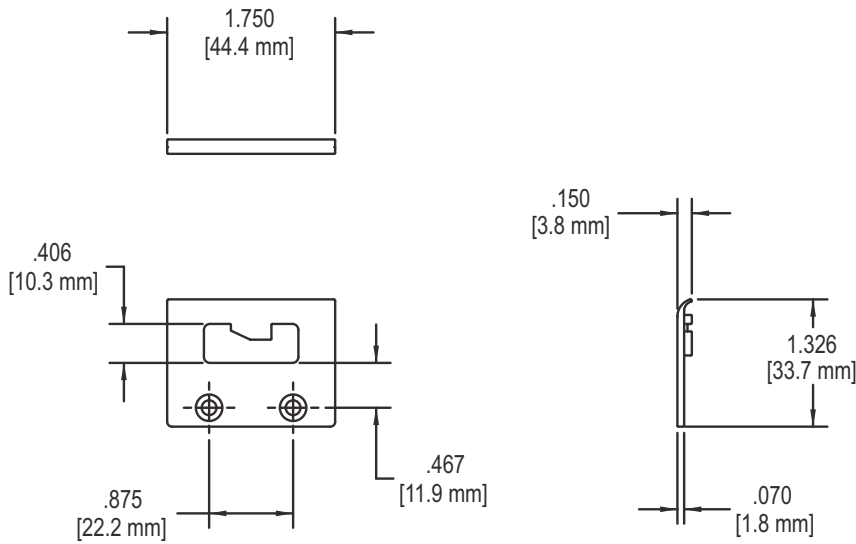
AVAILABLE LOCKS

LOCK PART NUMBER
A09200400
A09200409
A09200411
A09200412
A09200416
A09200417
A09200427
A09200430
A09200441
A09200457
A09200520
A09200580
A09200599

RECOMMENDED SCREWS:

(QTY 2) #6 PHILLIPS FLAT HEAD SCREWS. (LENGTH AND THREAD TYPE TO BE DETERMINED BY PROFILE.)

FIG. 14 C09312XX FACE MOUNT KEEPER



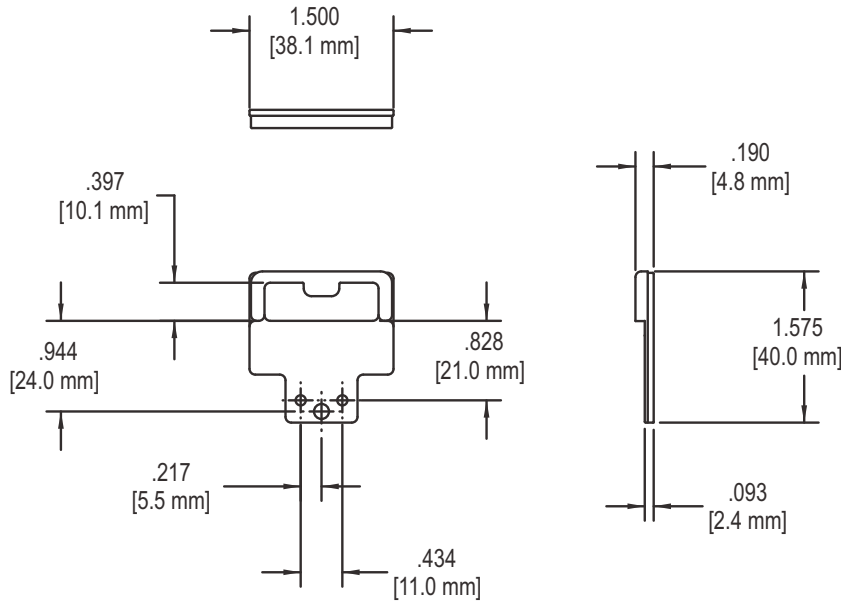
AVAILABLE LOCKS

LOCK PART NUMBER
A09200400
A09200409
A09200411
A09200412
A09200416
A09200417
A09200427
A09200430
A09200441
A09200457
A09200520
A09200580
A09200599

RECOMMENDED SCREWS:

(QTY 2) #6 PHILLIPS FLAT HEAD SCREWS. (LENGTH AND THREAD TYPE TO BE DETERMINED BY PROFILE.)

FIG. 15 C09697XX FACE MOUNT KEEPER



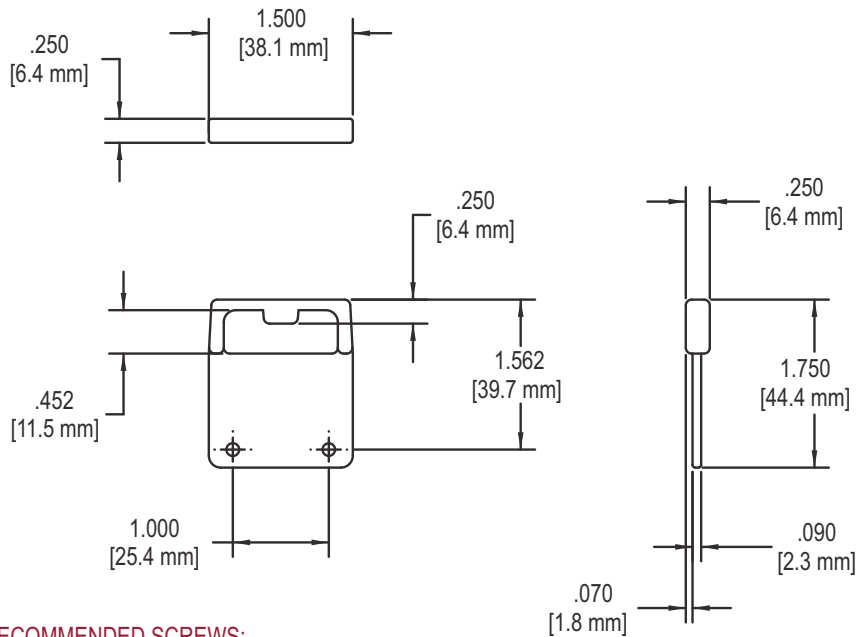
RECOMMENDED SCREWS:

(QTY 2) #6 PHILLIPS FLAT HEAD SCREWS. (LENGTH AND THREAD TYPE TO BE DETERMINED BY PROFILE.)

AVAILABLE LOCKS

LOCK PART NUMBER
A09200400
A09200409
A09200411
A09200412
A09200416
A09200417
A09200427
A09200430
A09200441
A09200457
A09200520
A09200580
A09200599

FIG. 16 C09062XX FACE MOUNT KEEPER



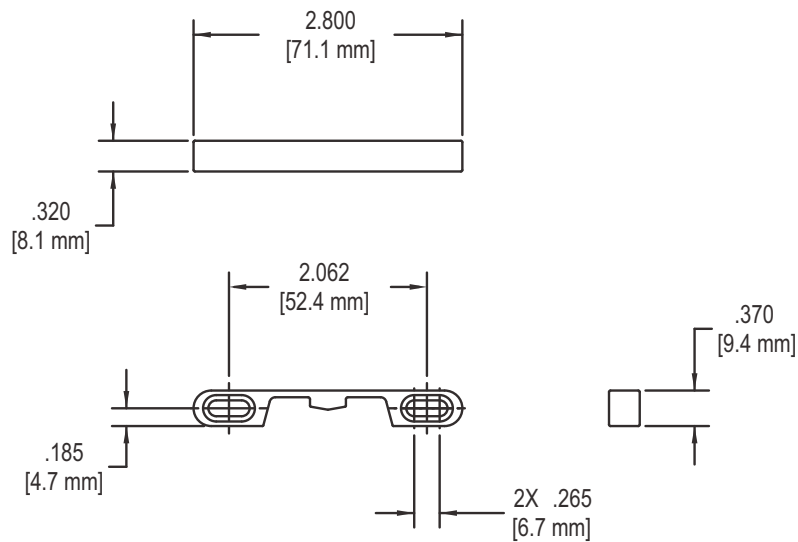
RECOMMENDED SCREWS:

(QTY 2) #6 PHILLIPS PAN HEAD SCREWS. (LENGTH AND THREAD TYPE TO BE DETERMINED BY PROFILE.)

AVAILABLE LOCKS

LOCK PART NUMBER
A09200400
A09200409
A09200411
A09200412
A09200416
A09200417
A09200427
A09200430
A09200441
A09200457
A09200520
A09200580
A09200599

FIG. 17 C09391XX FACE MOUNT KEEPER



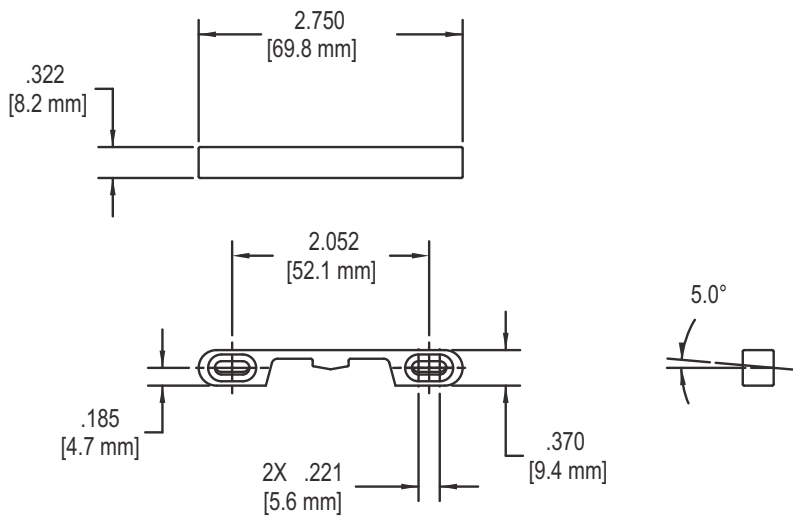
RECOMMENDED SCREWS:

(QTY 2) #6 PHILLIPS FLAT HEAD SCREWS. (LENGTH AND THREAD TYPE TO BE DETERMINED BY PROFILE.)

AVAILABLE LOCKS

LOCK PART NUMBER
A09200400
A09200409
A09200411
A09200412
A09200416
A09200417
A09200427
A09200430
A09200441
A09200457
A09200520
A09200580
A09200599

FIG. 18 C09906XX FACE MOUNT KEEPER



RECOMMENDED SCREWS:

(QTY 2) #6 PHILLIPS FLAT HEAD SCREWS. (LENGTH AND THREAD TYPE TO BE DETERMINED BY PROFILE.)

AVAILABLE LOCKS

LOCK PART NUMBER
A09200400
A09200409
A09200411
A09200412
A09200416
A09200417
A09200427
A09200430
A09200441
A09200457
A09200520
A09200580
A09200599

FIG. 19 41434 FACE MOUNT KEEPER

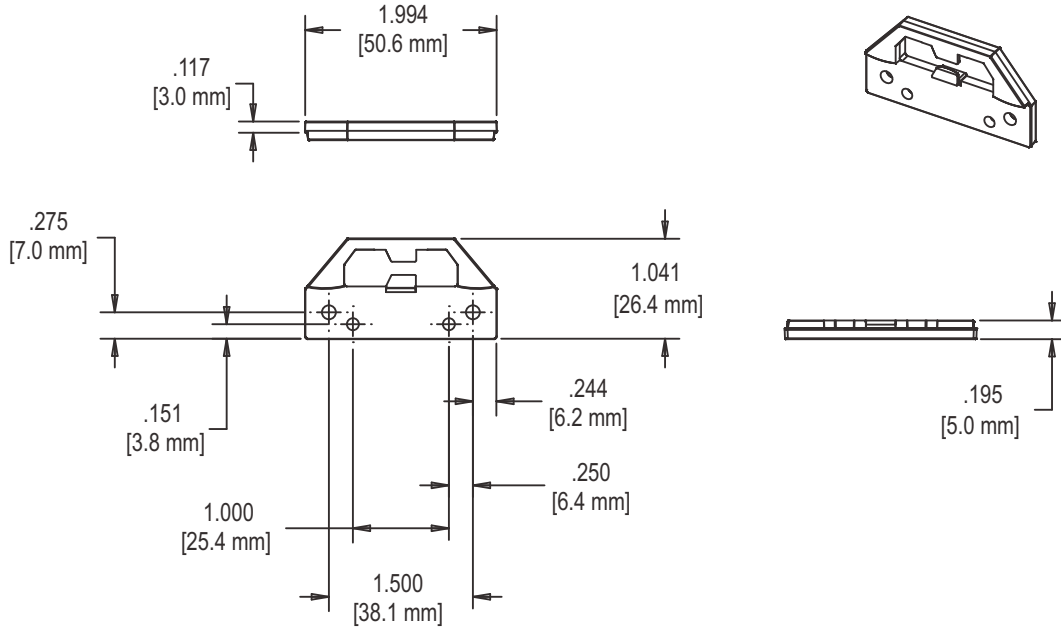
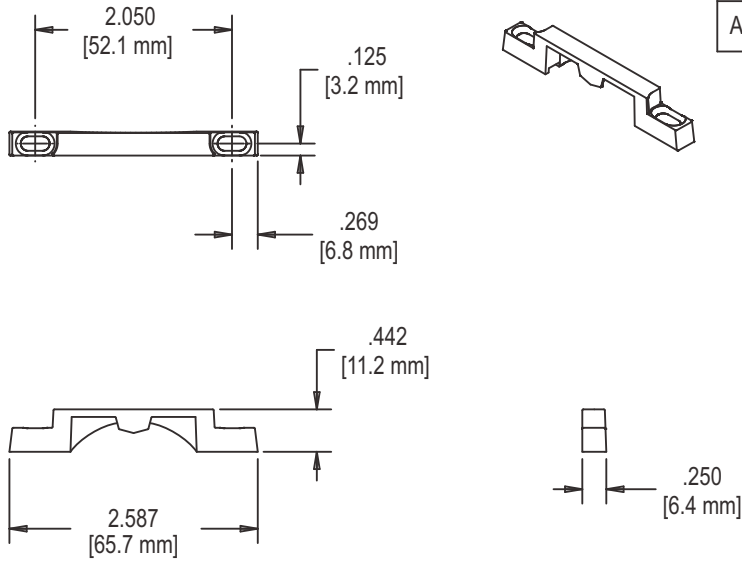


FIG. 20 41405 KEEPER



AVAILABLE LOCKS	A	B
A09200666	.872 (22.1mm)	.060 (1.5mm)

RECOMMENDED SCREWS:

(QTY2) #6 SHEET METAL SCREWS PHILLIPS FLAT HEAD SCREWS
(LENGTH AND THREAD TYPE TO BE DETERMINED BY PROFILE)



By pulling meeting rails tightly together and by producing a better seal of the sash at the head and sill, the TrimLine™ Cam Lock decreases air infiltration. And with its new slimmer handle design, its low profile design helps assure maximum egress opening. An innovative spring design holds the handle in both the locked and unlocked positions while a concealed locking mechanism protects moving parts from dust and dirt for added lock life, too.

For locks designed with alignment lugs, a positive sash alignment feature prevents side shift of the sash. An improved detent in both the locking and unlocking motion of the handle, assures that the cam has completed its travel. Designed for #6 mounting screws on 2.062" (52.4mm) center-to-center hole spacing on both the lock and keepers. This lock produces a .125" (3.2mm) pull-in { .062" (1.6mm) with small cam } with a .156" (4.0mm) lifting ability.

SECURITY & RELIABILITY:

The pick-resistant design of this lock helps you exceed the load requirements for AAMA 1302.5 Forced Entry Resistance Test, the California Model Building Security Ordinance and ASTM-588 Forced Entry Test.

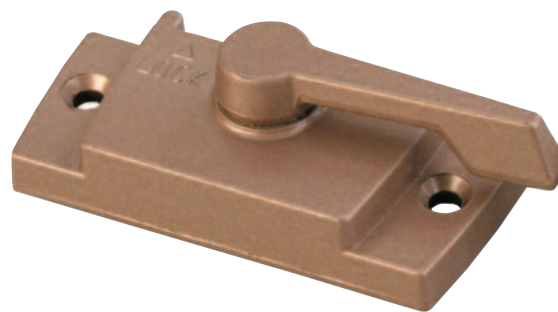
LOGO OPTIONS: For that "personalized touch", Truth's TrimLine Check Rail Locks are capable of accepting your company's name or logo. Truth's unique custom print logo reproduction process is an attractive way of highlighting your company signature. For further details on where your company's logo would appear, please refer to the following drawings.

WARRANTY:

Protected under the terms of the Truth Warranty for Window & Door Manufacturers and Authorized Distributors. Refer to Truth's Terms & Conditions for further details.

MATERIAL: High-pressure, corrosion-resistant, die-cast zinc.

FINISH: Electrostatically applied, durable coatings that provide excellent resistance to chipping, scratching and corrosion while maintaining color stability for years in direct sunlight. Please refer to Truth's Color Chart for



examples of Truth's most popular finish options. Truth also offers a wide range of decorative "plated" finishes - contact Truth for additional information on availability of these finishes on specific product lines.

ORDERING INFORMATION:

1. Choose the TrimLine Cam Lock style desired (specify by part number).
2. Specify finish number.
3. Select mounting hardware (sold separately): For Keeper styles, refer to TrimLine(tm) Keeper catalog page for styles and part numbers.

RECOMMENDED SCREWS:

Types of screws required determined by material of profile used. Refer to drawings for complete information on screw type and quantity needed (sold separately). For additional information on screw selection - see Truth Tips.

TRUTH TIPS:

1. A lock with pick-resistant alignment lugs should be used whenever possible. A lock without lugs should be chosen when the lugs cause interference with divided light grills or other window features.
2. A lock with a small cam should be used when the larger sweep radius of the .125" (3.2mm) pull-in cam causes interference with the glazing or other areas of the profile. A face-mounted keeper is usually required.
3. When two locks are used on one window, the placement of each lock, with respect to its keeper, becomes very critical to maintain a constant weatherseal on all sides of the window and to insure that each lock engages properly with its keeper.

4. For accurate hardware placement in vinyl or metal applications, pre-drilling of the window profile is recommended.

5. For vinyl window applications, mounting screws should pass through two PVC walls, or one PVC wall and one insert wall. For this reason, it may be necessary to use a longer screw than is recommended.

6. For metal window profiles, Truth recommends stainless steel machine screws. However, in most applications, stainless steel sheet metal screws will provide adequate holding power.

INCLUDE TRUTH SPECS ON YOUR NEXT WINDOW PROJECT

Window check rail locks shall be included which will increase both security and weather seal tightness. The lock must provide easy operation and positive locked feel (detent).

Window check rail locks will be of internal cam design to provide .125" (3.2mm) of pull-in to aid in sealing the meeting rails. The lock and accompanying keeper will prevent mis-alignment during locking. The lock and keeper shall be constructed of high pressure zinc alloy die castings.

Window locks shall be 17 series TrimLine, as manufactured by Truth Hardware, Owatonna, MN.

FIG. 1 APPLICATION OF TRIMLINE CHECK RAIL LOCK

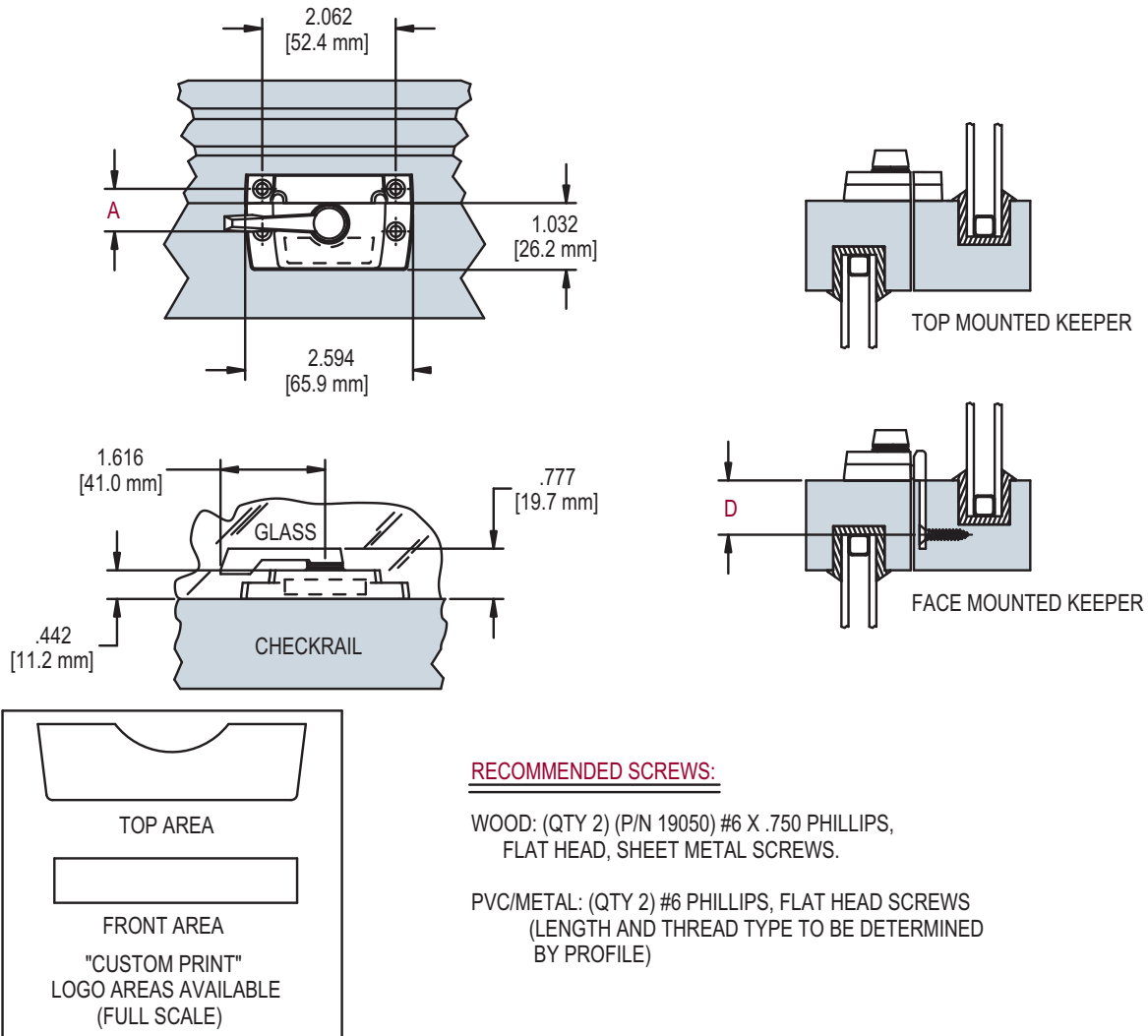
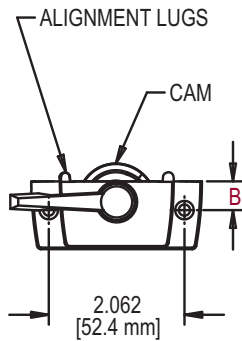


FIG. 2 TRIMLINE CHECK RAIL LOCK OPTIONS



NOTE:
LARGE CAM HAS .125 PULL-IN.
SMALL CAM HAS .062 PULL-IN.

PRODUCT NUMBER	B	WITH LUGS	WITHOUT LUGS	LARGE CAM	SMALL CAM	SPECIAL FEATURES
17.32	.438 (11.1mm)	X		X		
17.33	.688 (17.5mm)	X			X	
17.34	.438 (11.1mm)	X			X	
17.35	.688 (17.5mm)	X		X		
17.38	.438 (11.1mm)		X	X		
17.39	.688 (17.5mm)		X		X	
17.40	.438 (11.1mm)		X		X	
17.41	.688 (17.5mm)		X	X		
17.43	.438 (11.1mm)		X	X		OPPOSITE HAND



Truth realizes that each profile in the marketplace today may require its own particular Keeper due to the variety of mounting application possibilities. Because of this, Truth has developed a wide variety of Keepers for our TrimLine™ Cam Lock whose shapes and styles were designed to help satisfy these needs.

The TrimLine™ Cam Lock Keepers in the accompanying drawings should provide you with all of the technical information you should require. However, if you wish further technical assistance in selecting a Keeper, please contact Truth.

WARRANTY:

Protected under the terms of the Truth Warranty for Window & Door Manufacturers & Authorized Distributors. Refer to Truth's Terms & Conditions for further details.

MATERIAL: High-pressure, corrosion-resistant die-cast zinc.

FINISH: Electrostatically applied, durable coatings that provide excellent resistance to chipping, scratching and corrosion while maintaining color stability for years in direct sunlight. Please refer to Truth's Color Chart for examples of Truth's most popular finish options. Truth also offers a wide range of decorative "plated" finishes – contact Truth for additional information on availability of these finishes on specific product lines.

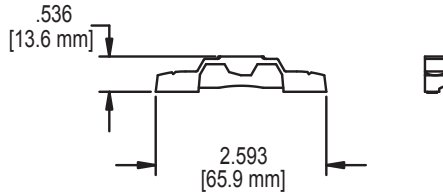
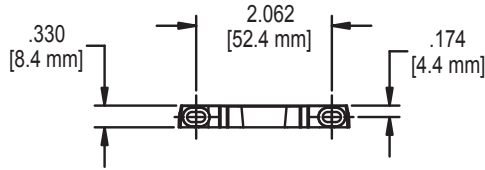
ORDERING INFORMATION:

1. Order Keepers by part number. Refer to lock section for details on A and D dimensions.
2. Specify finish number.

TRUTH TIPS

1. For accurate hardware placement in vinyl or metal applications, pre-drilling of the window profile is recommended.
2. For vinyl window applications, mounting screws should pass through two PVC walls, or one PVC wall and one insert wall. For this reason, it may be necessary to use a longer screw than is recommended.
3. For metal window profiles, Truth recommends stainless steel machine screws. However, in most applications, stainless steel sheet metal screws will provide adequate holding power.

FIG. 1 40368.XX KEEPER



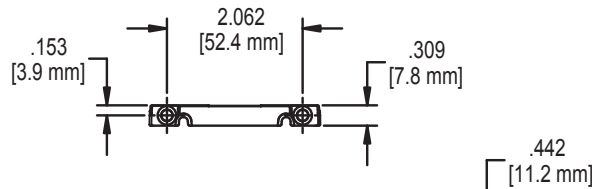
RECOMMENDED SCREWS:

WOOD: (QTY 2) (P/N 19050) #6 X .750
PHILLIPS FLAT HEAD, SHEET METAL
SCREWS

PVC/METAL: (QTY 2) #6 PHILLIPS, FLAT HEAD SCREWS
(LENGTH AND THREAD TYPE TO DETERMINED
BY PROFILE)

AVAILABLE LOCKS	A
17.32	.610 (15.5mm)
17.33	.860 (21.8mm)
17.34	.610 (15.5mm)
17.35	.860 (21.8mm)

FIG. 2 40380.XX KEEPER



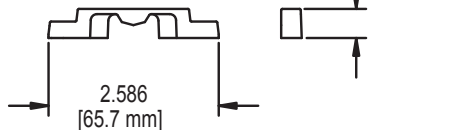
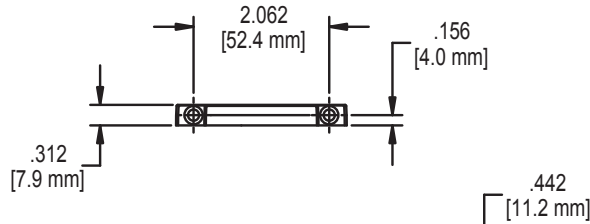
RECOMMENDED SCREWS:

WOOD: (QTY 2) (P/N 19050) #6 X .750 PHILLIPS
FLAT HEAD, SHEET METAL SCREWS

PVC/METAL: (QTY 2) #6 PHILLIPS, FLAT HEAD SCREWS
(LENGTH AND THREAD TYPE TO DETERMINED
BY PROFILE)

AVAILABLE LOCKS	A
17.32	.610 (15.5mm)
17.33	.860 (21.8mm)
17.34	.610 (15.5mm)
17.35	.860 (21.8mm)

FIG. 3 40904.XX KEEPER



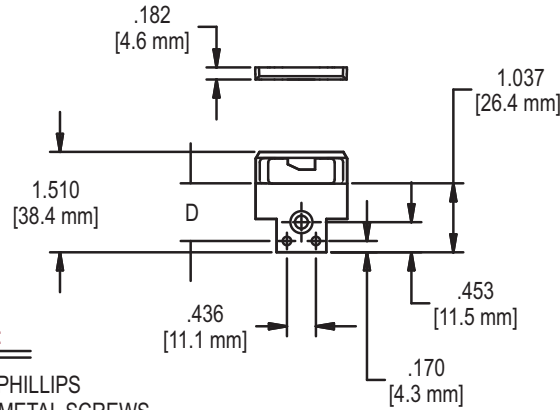
RECOMMENDED SCREWS:

WOOD: (QTY 2) (P/N 19050) #6 X .750 PHILLIPS
FLAT HEAD, SHEET METAL SCREWS

PVC/METAL: (QTY 2) #6 PHILLIPS, FLAT HEAD SCREWS
(LENGTH AND THREAD TYPE TO DETERMINED
BY PROFILE)

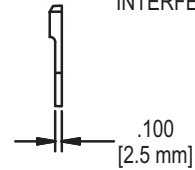
AVAILABLE LOCKS	A
17.38	.610 (15.5mm)
17.39	.860 (21.8mm)
17.40	.610 (15.5mm)
17.41	.860 (21.8mm)
17.43	.610 (15.5mm)

FIG. 4 40375.XX TRIMLINE KEEPER



NOTE:

LOCKS WITH LARGER CAM MAY INTERFERE WITH GLASS



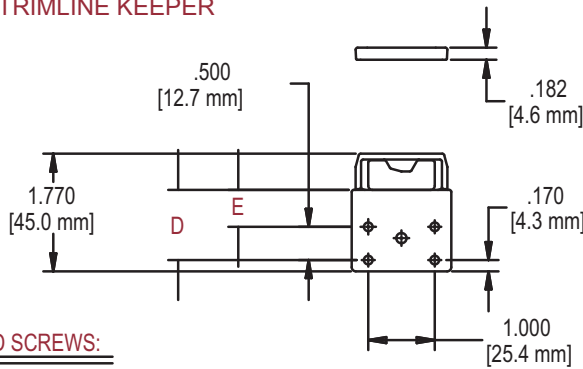
RECOMMENDED SCREWS:

WOOD: (QTY 2) #10 X .750 PHILLIPS PAN HEAD, SHEET METAL SCREWS

PVC/METAL: (QTY 2) #10 PHILLIPS, PAN HEAD SCREWS (LENGTH AND THREAD TYPE TO DETERMINED BY PROFILE)

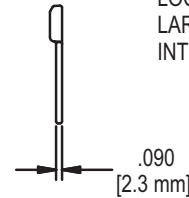
AVAILABLE LOCKS	D
ALL TRIMLINE LOCKS	.864 (21.8mm)

FIG. 5 41298.XX TRIMLINE KEEPER



NOTE:

LOCKS WITH LARGER CAM MAY INTERFERE WITH GLASS



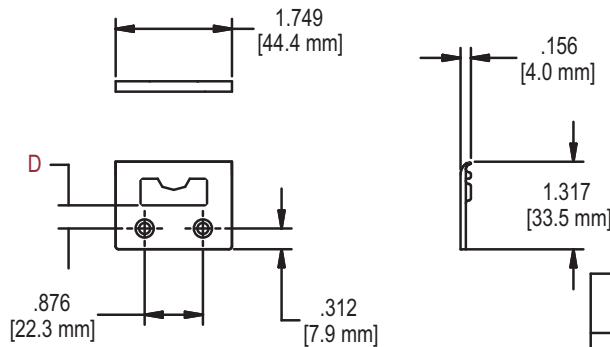
RECOMMENDED SCREWS:

WOOD: (QTY 2) (P/N 19050) #6 X .750 PHILLIPS FLAT HEAD, SHEET METAL SCREWS

PVC/METAL: (QTY 2) #6 PHILLIPS, FLAT HEAD SCREWS (LENGTH AND THREAD TYPE TO DETERMINED BY PROFILE)

AVAILABLE LOCKS	D	E
ALL TRIMLINE LOCKS	1.062 (27.0mm)	.562 (14.3mm)

FIG. 6 40670.XX TRIMLINE KEEPER



AVAILABLE LOCKS	D
17.38	.348 (8.9mm)
17.39	
17.40	
17.41	
17.43	

RECOMMENDED SCREWS:

WOOD: (QTY 2) (P/N 19050) #6 X .750 PHILLIPS FLAT HEAD, SHEET METAL SCREWS

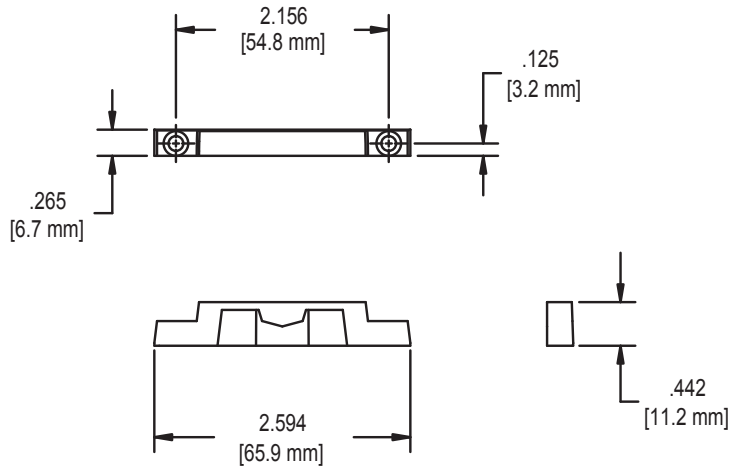
PVC/METAL: (QTY 2) #6 PHILLIPS, FLAT HEAD SCREWS (LENGTH AND THREAD TYPE TO DETERMINED BY PROFILE)

NOTE:

LOCKS WITH LARGER CAM MAY INTERFERE WITH GLASS

17 TRIMLINE™ CAM LOCK KEEPERS

FIG. 7 45076.XX KEEPER (narrow flat base)



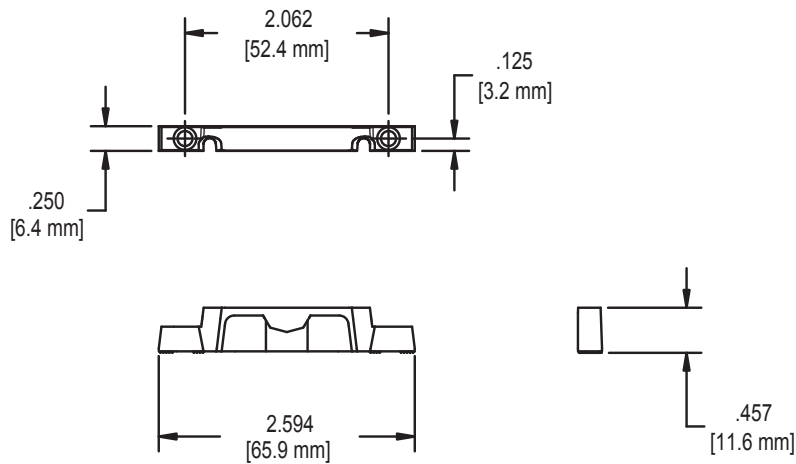
RECOMMENDED SCREWS:

WOOD: (QTY 2) #6 WITH A #5 HEAD X .750 PHILLIPS
FLAT HEAD, SHEET METAL SCREWS.

PVC/METAL: (QTY 2) #6 WITH A #5 HEAD PHILLIPS,
FLAT HEAD SCREWS (LENGTH AND THREAD TYPE
TO DETERMINED BY PROFILE)

AVAILABLE LOCKS	A
17.39	.812 (20.6mm)
17.40	.562 (14.3mm)

FIG. 8 45184.XX KEEPER (narrow flat base)



RECOMMENDED SCREWS:

WOOD: (QTY 2) #6 WITH A #4 HEAD X .750 PHILLIPS
FLAT HEAD, SHEET METAL SCREWS.

PVC/METAL: (QTY 2) #6 WITH A #4 HEAD PHILLIPS,
FLAT HEAD SCREWS (LENGTH AND THREAD TYPE
TO DETERMINED BY PROFILE)

AVAILABLE LOCKS	A
17.33	.828 (21.0mm)
17.34	.578 (14.7mm)



One of the most popular locking designs in the slider and single/double-hung markets, Truth Hardware's 9400 Series Sash Lock is one of the most reliable products available.

- Concealed locking mechanisms help protect moving parts from dust and dirt for added lock life while producing a better seal of the sash at the head and sill.
- The internal cam eliminates unsightly paint abrasions caused by the interaction of cam and keeper.
- The internal cam's are "handed" and come in various sizes that relate to the amount of pull-in/reach-out and sash lift. These "lock-up" characteristics produce a better seal of the sash at the head and sill to help decrease air infiltration.
- The location of the mounting holes on the base are designed to secure the lock in a position along the check rail which affords the most holding power (See Truth Tip #4).
- These locks are available with or without alignment lugs. These lugs have been designed to help prevent shifting of the rails during locking for an enhanced window seal. Tapered "nesting" lugs, which help guide the lock to the keeper are also an option.

WARRANTY:

Protected under the terms of the "Truth Warranty for Window & Door Manufacturers & Authorized Distributors". Refer to Truth's Terms & Conditions for further details.

LOGO OPTIONS: For that "personalized touch", Truth's 9400 Series Sash Locks are capable of accepting your company's name or logo. Truth's logo reproduction processes is an attractive way of highlighting your company signature.

MATERIAL: High-pressure, corrosion resistant, die-cast zinc.

FINISH: Electrostatically applied, durable coatings that provide excellent resistance to chipping, scratching and corrosion while maintaining color stability for years in direct sunlight.



Please refer to Truth's Color Chart for examples of Truth's most popular finish options. Truth also offers a wide range of decorative "plated" finishes – contact Truth for additional information on availability of these finishes on specific product lines.

ORDERING INFORMATION:

1. Identify the style of "base" desired (specify by part number).
2. Identify the style of "cam" desired. Note these cams are "handed" (specify by part number).
3. Order the 9400 Series assembled base unit that has this configuration. Truth Hardware Sales Team can help you identify this part number.
4. Order the 9400 Series style of "keeper" desired (specify by part number).
5. Specify finish choice.

RECOMMENDED SCREWS:

Types of screws required determined by material of profile used (sold separately). For additional information on screw selection – see Truth Tips.

TRUTH TIPS:

1. A lock with pick-resistant alignment lugs should be used whenever possible. A lock without lugs should be chosen when the lugs cause interference with divided light grills or other window features.
2. When two locks are used on one window, the placement of each lock, with respect to its keeper, becomes very critical to maintain a constant weatherseal on all sides of the window and to insure that each lock engages properly with its keeper.

3. For accurate hardware placement in vinyl or metal applications, pre-drilling of the window profile is recommended.

4. For vinyl window applications, mounting screws should pass through two PVC walls, or one PVC wall and one insert wall. For this reason, it may be necessary to use a longer screw than is recommended.

5. For metal window profiles, Truth recommends stainless steel machine screws. However, in most applications, stainless steel sheet metal screws will provide adequate holding power.

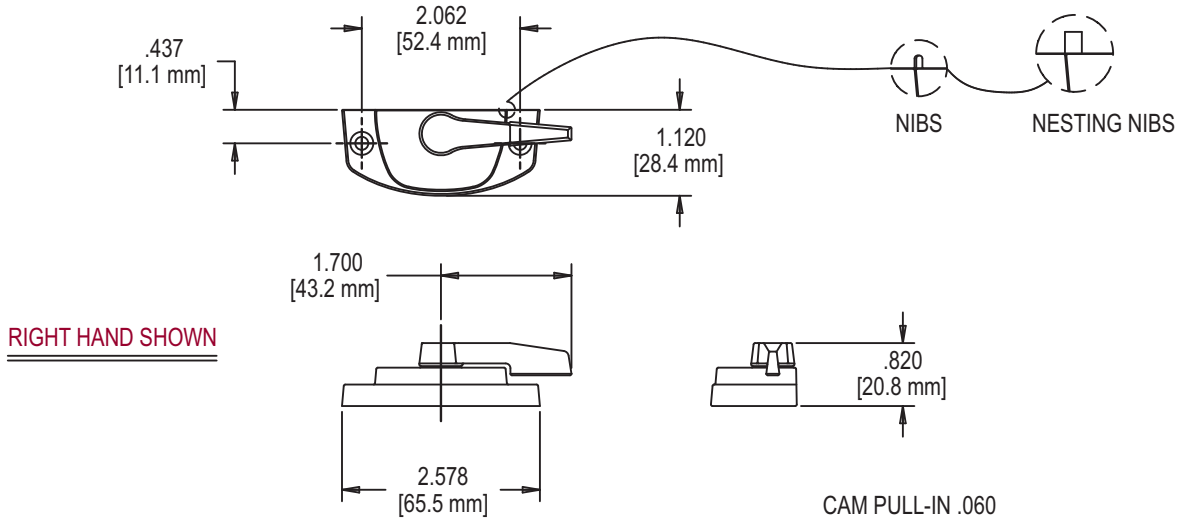
INCLUDE TRUTH SPECS ON YOUR NEXT WINDOW PROJECT

Window check rail locks shall be included which will increase both security and weather seal tightness. The lock must provide easy operation and positive locked feel.

Window check rail locks will be of internal cam design to provide optimum sealing of the meeting rails. The lock and accompanying keeper will prevent misalignment during locking. The lock and keeper shall be constructed of high pressure zinc alloy die castings.

Window locks shall be 9400 Series Sash Locks as manufactured by Truth Hardware.

FIG. 1 SASH LOCK AND KEEPER



RIGHT HAND SHOWN

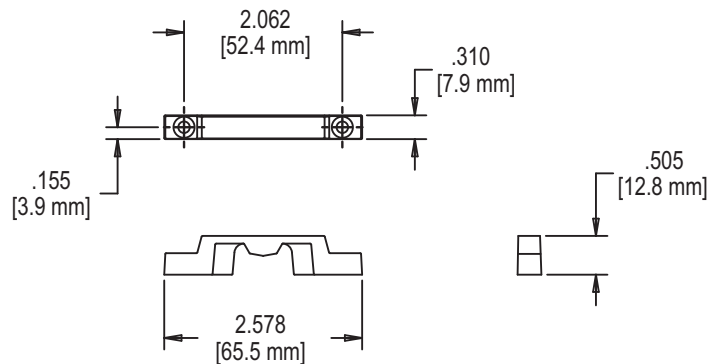
PART NUMBER	HANDING		NIBS		
	RH	LH	NO NIBS	NIBS	NESTING NIBS
A09400400	X		X		
A09400401	X			X	
A09400444	X				X

RECOMMENDED SCREWS:

WOOD: (QTY 2) (P/N 19050) #6 X .750
PHILLIPS FLAT HEAD SHEET METAL
SCREWS

PVC/METAL: (QTY 2) #6 PHILLIPS FLAT HEAD
SCREW (LENGTH AND THREAD TYPE
TO BE DETERMINED BY PROFILE)

FIG. 2 C09405.XX KEEPER



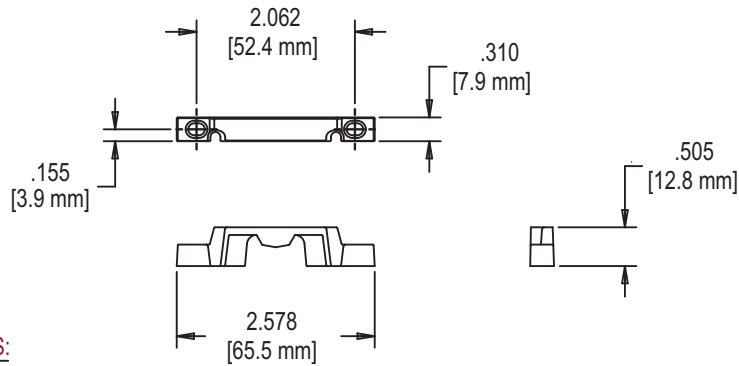
RECOMMENDED SCREWS:

WOOD: (QTY 2) (P/N 19050) #6 X .750
PHILLIPS FLAT HEAD SHEET METAL
SCREWS

PVC/METAL: (QTY 2) #6 PHILLIPS FLAT HEAD
SCREW (LENGTH AND THREAD TYPE
TO BE DETERMINED BY PROFILE)

AVAILABLE LOCKS
A09400400

FIG. 3 C09603.XX KEEPER



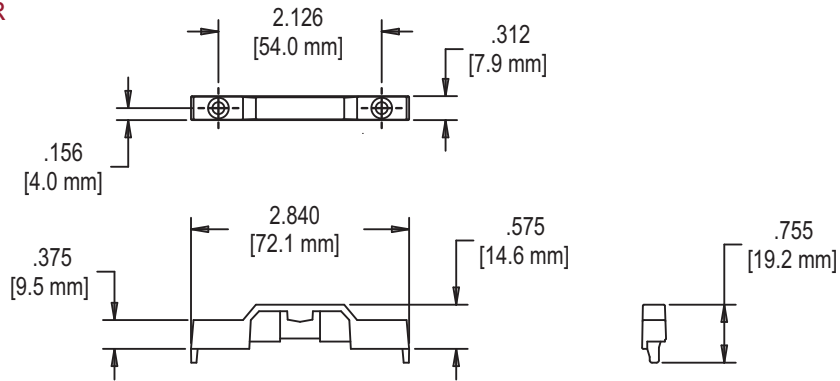
RECOMMENDED SCREWS:

WOOD: (QTY 2) (P/N 19050) #6 X .750
PHILLIPS FLAT HEAD SHEET METAL
SCREWS

PVC/METAL: (QTY 2) #6 PHILLIPS FLAT HEAD
SCREW (LENGTH AND THREAD TYPE
TO BE DETERMINED BY PROFILE)

AVAILABLE LOCKS
A09400401

FIG. 4 C30063.XX KEEPER



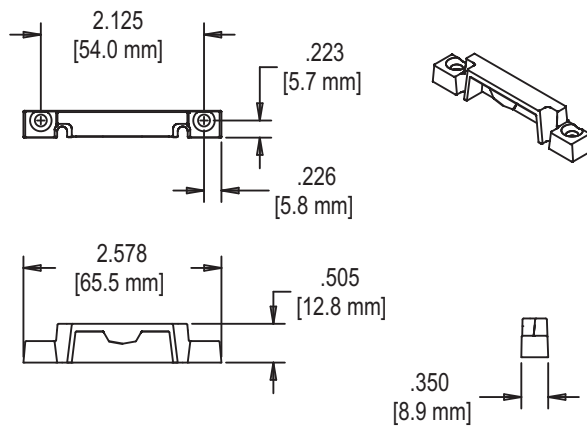
RECOMMENDED SCREWS:

WOOD: (QTY 2) (P/N 19050) #6 X .750
PHILLIPS FLAT HEAD SHEET METAL
SCREWS

PVC/METAL: (QTY 2) #6 PHILLIPS FLAT HEAD
SCREW (LENGTH AND THREAD TYPE
TO BE DETERMINED BY PROFILE)

AVAILABLE LOCKS
A09400444

FIG. 5 41404 KEEPER



RECOMMENDED SCREWS:

(QTY 2)#6 SHEET METAL SCREWS WITH
#5 HEAD, PHILLIPS FLAT HEAD
SCREWS. (LENGTH AND THREAD TYPE
TO BE DETERMINED BY PROFILE)



Designed for use on slider and single/double-hung windows, the EntryGard® and EntryGard II Cam Lock's concealed locking mechanisms help protect moving parts from dust and dirt for added lock life while producing a better seal of the sash at the head and sill. The internal cam eliminates paint abrasions and produces a .125" (3.2 mm) pull-in with a .156" (4.0 mm) lifting ability. Air infiltration has been substantially reduced by pulling the meeting rails tightly together.

ENTRYGARD® II

The EntryGard II Check Rail Lock features a sleek and stylish new handle design, and has been designed such that the lock's back plate could be eliminated without compromising the strength or performance of this product. An improved detent in the handle motion of the EntryGard II, assures the user that the cam is either fully open or closed.

ENTRYGARD® SNAP-BACK LOCK

This double hung/slider lock has the ability to retract the cam when the handle motion is within approximately 30 degrees of the open position. The spring action of the handle and the cam will eliminate exposing the cam when in the partially open position, thus avoiding interference with divided light grilles and/or crashing on the top rail.

These locks are available with or without alignment lugs. These lugs have been designed to help prevent shifting of the rails during locking for an enhanced window seal. Spring action holds handle in locked or unlocked position to prevent damage to windows.

SECURITY & RELIABILITY:

The pick-resistant design of this lock helps you exceed the load requirements for AAMA 1302.5 Forced Entry Resistance Test, the California Model Building Security Ordinance and ASTM-588 Forced Entry Test.

Additional Keepers for special profile applications are also available - refer to EntryGard Keeper page for further information.

WARRANTY: Protected under the terms of the Truth Warranty for Window & Door Manufacturers & Authorized Distributors. Refer to Truth's Terms &



Conditions for further details.

LOGO OPTIONS: For that "personalized touch", Truth's EntryGard Check Rail Locks are capable of accepting your company's name or logo. Truth's unique custom print logo reproduction processes is an attractive way of highlighting your company signature. For further details on where your company's logo would appear, please refer to the following drawings.

MATERIAL: High-pressure, corrosion resistant, die-cast zinc.

FINISH: Electrostatically applied, durable coatings that provide excellent resistance to chipping, scratching and corrosion while maintaining color stability for years in direct sunlight. Please refer to Truth's Color Chart for examples of Truth's most popular finish options. Truth also offers a wide range of decorative "plated" finishes - contact Truth for additional information on availability of these finishes on specific product lines.

ORDERING INFORMATION:

1. Choose cam lock style desired (see table below).
2. Specify finish number.
3. Select mounting hardware required (sold separately): For Keeper styles - see EntryGard Keeper section.

RECOMMENDED SCREWS:

Types of screws required determined by material of profile used. Refer to drawings for complete information on screw type and quantity needed (sold separately). For additional information regarding screw selection, refer to EntryGard® Keeper catalog page for styles and part numbers.

TRUTH TIPS:

1. A lock with pick-resistant alignment

lugs should be used whenever possible. A lock without lugs should be chosen when the lugs cause interference with divided light grilles or other window features.

2. When two locks are used on one window, the placement of each lock, with respect to its keeper, becomes very critical to maintain a constant weatherseal on all sides of the window and to insure that each lock engages properly with its keeper.
3. For accurate hardware placement in vinyl or metal applications, pre-drilling of the window profile is recommended.
4. For vinyl window applications, mounting screws should pass through two PVC walls, or one PVC wall and one insert wall. For this reason, it may be necessary to use a longer screw than is recommended.
5. For metal window profiles, Truth recommends stainless steel machine screws. However, in most applications, stainless steel sheet metal screws will provide adequate holding power.

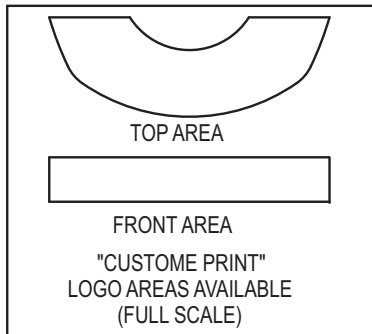
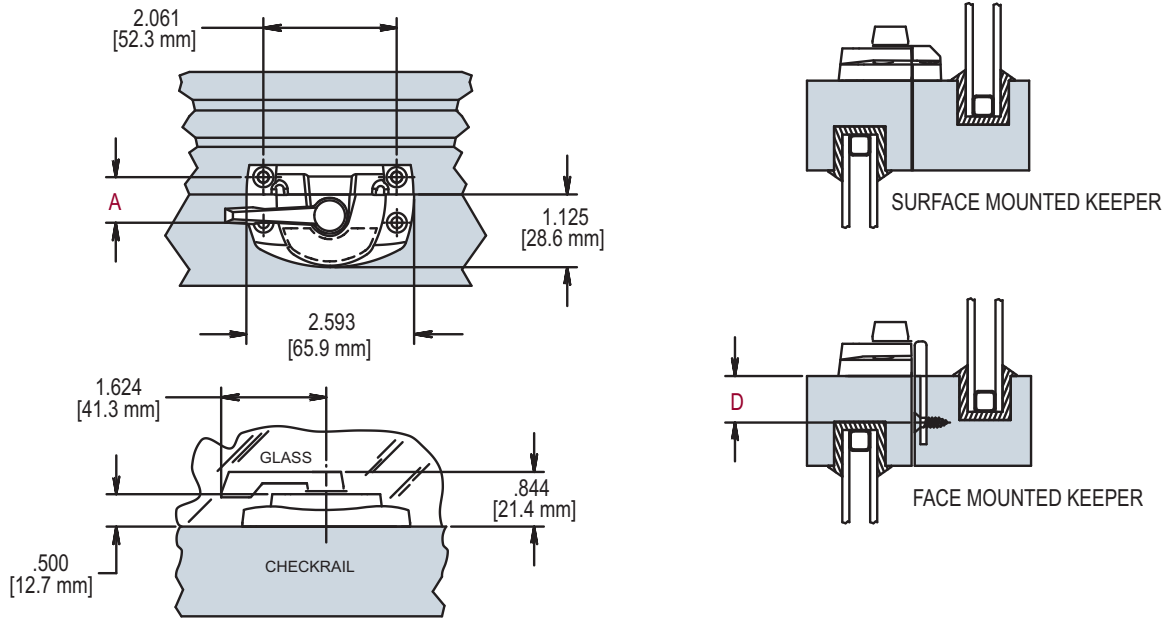
INCLUDE TRUTH SPECS ON YOUR NEXT WINDOW PROJECT

Window check rail locks shall be included which will increase both security and weather seal tightness. The lock must provide easy operation and positive locked feel (detent).

Window check rail locks will be of internal cam design to provide .125" (3.2 mm) of pull-in to aid in sealing the meeting rails. The lock and accompanying keeper will prevent misalignment during locking. The lock and keeper shall be constructed of high pressure zinc alloy die castings.

Window locks shall be 17 series EntryGard® as manufactured by Truth

FIG. 1 APPLICATION OF TRUTH ENTRYGARD AND ENTRYGARD II CHECK RAIL LOCK

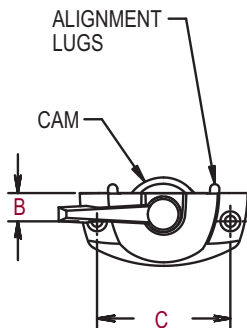


RECOMMENDED SCREWS:

WOOD: (QTY 2) (P/N 19050) #7 X .750 PHILLIPS, FLAT HEAD, SHEET METAL SCREWS.

PVC/METAL: (QTY 2) #7 PHILLIPS, FLAT HEAD SCREWS (LENGTH AND THREAD TYPE TO BE DETERMINED BY PROFILE)

FIG. 2 ENTRYGARD AND ENTRYGARD II CHECK RAIL LOCKS



NOTE:
ALL LOCKS HAVE
.125 PULL-IN.

PRODUCT NUMBER	B	C	WITH LUGS	WITHOUT LUGS	TYPE	SPECIAL FEATURES
17.67	.438 (11.1mm)	2.062 (52.4mm)		X	EG II	
17.68			X		EG II	
17.70				X	EG	SNAP BACK LOCK
17.74			X		EG	SNAP BACK LOCK
17.19			X		EG	
17.23				X	EG	
17.30	.688 (17.5mm)	1.875 (47.6mm)	X		EG	
17.31	.688 (17.5mm)	1.875 (47.6mm)		X	EG	
17.92	.688 (17.5mm)	1.875 (47.6mm)	X		EG II	



There is a wide variety of profiles in the marketplace today, and with each of these, there is the potential for a unique mounting application. No one Keeper will work in every situation and because of this, Truth has developed a wide variety of shapes and styles to help meet these needs. The Keepers in the accompanying drawings represent all of the Keepers that Truth has developed for use with the EntryGard® Cam Locks. These drawings should provide you with all the technical information you may require. However, if you wish further technical assistance in selecting a Keeper, please contact Truth.

WARRANTY:

Protected under the terms of the Truth Warranty for Window & Door Manufacturers & Authorized Distributors. Refer to Truth's Terms & Conditions for further details.

MATERIAL: High-pressure, corrosion resistant, die-cast zinc.

FINISH: Electrostatically applied, durable coatings that provide excellent resistance to chipping, scratching and corrosion while maintaining color stability for years in direct sunlight. Please refer to Truth's Color Chart for examples of Truth's most popular finish options. Truth also offers a wide range of decorative "plated" finishes – contact Truth for additional information on availability of these finishes on specific product lines.

RECOMMENDED SCREWS:

Types of screws required determined by material of profile used. Refer to drawings for complete information on screw type and quantity needed (sold separately). For additional information regarding screw selection - see Truth Tips.

ORDERING INFORMATION:

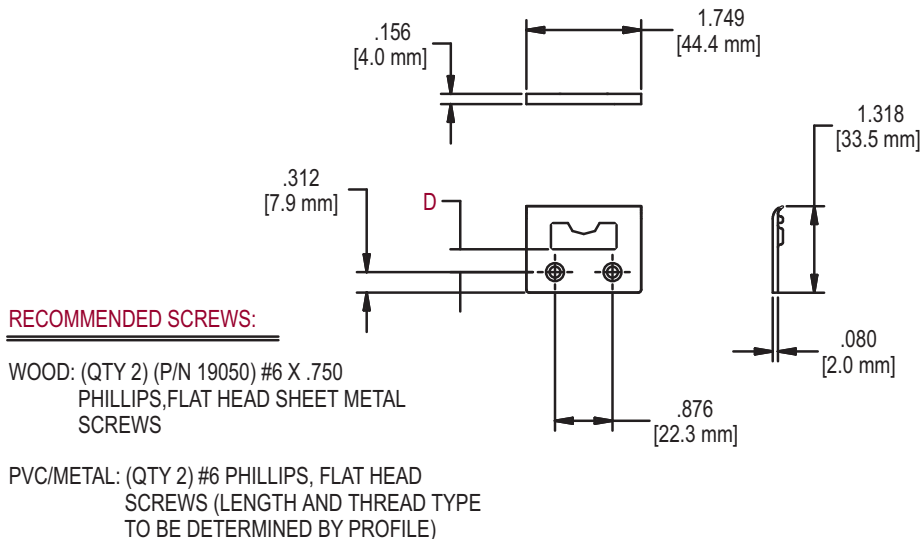
1. Order Keepers by part number. Refer to lock section for details on A and D dimensions.
2. Specify finish number.

TRUTH TIPS:

1. For accurate hardware placement in vinyl or metal applications, pre-drilling of the window profile is recommended.
2. For vinyl window applications, mounting screws should pass through two PVC walls, or one PVC wall and one insert wall. For this reason, it may be necessary to use a longer screw than is recommended.
3. For metal window profiles, Truth recommends stainless steel machine screws. However, in most applications, stainless steel sheet metal screws will provide adequate holding power.

17 ENTRYGARD® CAM LOCK KEEPERS

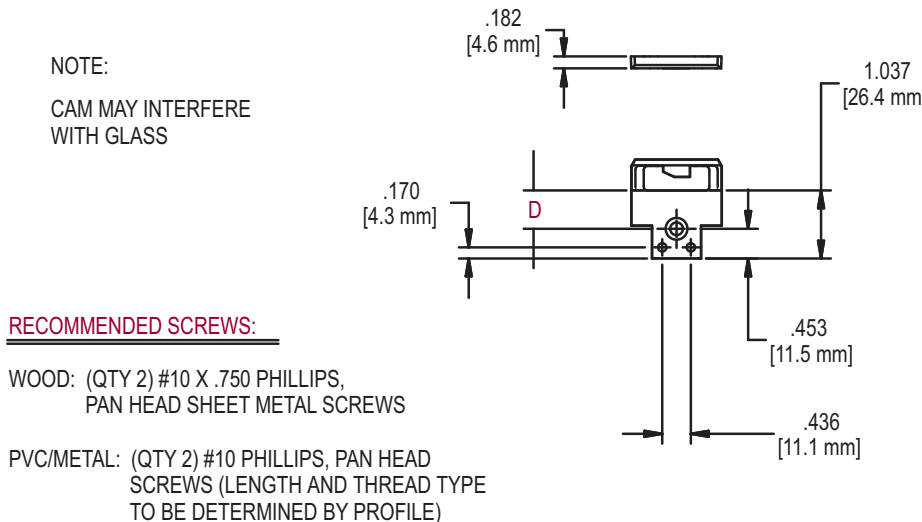
FIG. 1 40670.XX KEEPER (face mounted)



NOTE:
CAM MAY INTERFERE WITH GLASS

AVAILABLE LOCKS	D
17.23	.348 (8.8mm)
17.31	
17.66	
17.67	
17.70	

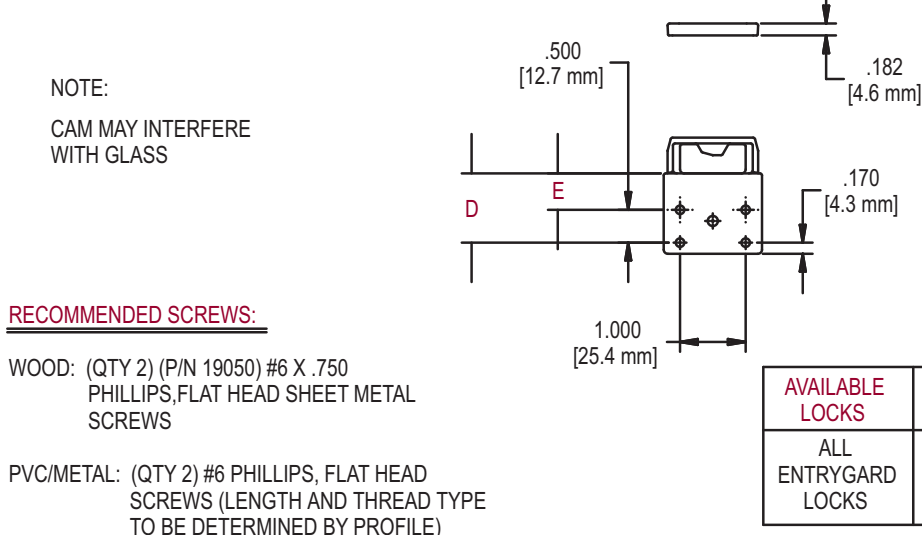
FIG. 2 40375.XX KEEPER (face mounted)



NOTE:
CAM MAY INTERFERE WITH GLASS

AVAILABLE LOCKS	D
ALL ENTRYGARD LOCKS	.864 (21.9mm)

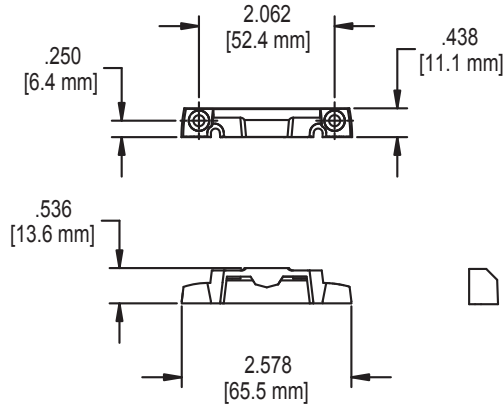
FIG. 3 41298.XX KEEPER (face mounted)



NOTE:
CAM MAY INTERFERE WITH GLASS

AVAILABLE LOCKS	D	E
ALL ENTRYGARD LOCKS	.864 (21.9mm)	.562 (14.3mm)

FIG. 4 40715.XX KEEPER (wide base and slant top)



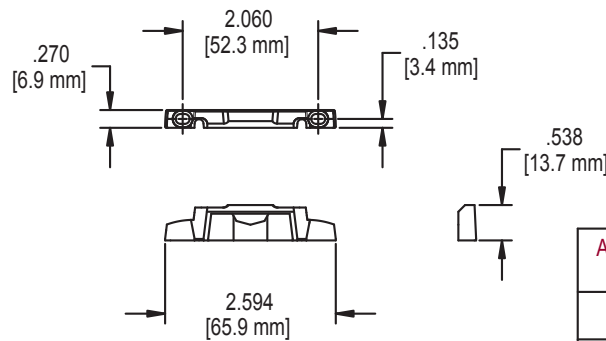
RECOMMENDED SCREWS:

WOOD: (QTY 2) (P/N 19100) #7 X .750
PHILLIPS, FLAT HEAD SHEET METAL
SCREWS

PVC/METAL: (QTY 2) #7 PHILLIPS, FLAT HEAD
SCREWS (LENGTH AND THREAD TYPE
TO BE DETERMINED BY PROFILE)

AVAILABLE LOCKS	A
17.19	.704 (17.9mm)
17.30	.954 (24.2mm)
17.68	.704 (17.9mm)
17.69	.704 (17.9mm)
17.74	.704 (17.9mm)

FIG. 5 45070.XX KEEPER (flat base, beveled edge, slotted holes)



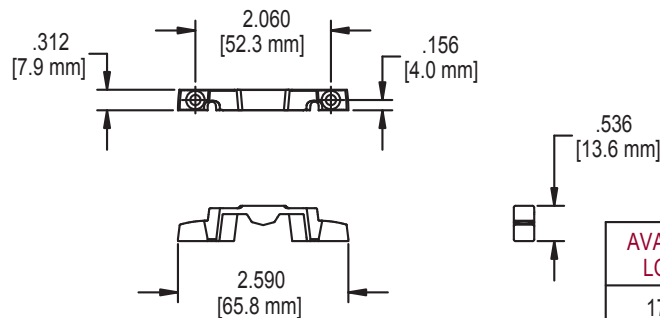
RECOMMENDED SCREWS:

WOOD: (QTY 2) (P/N 19100) #7 X .750
PHILLIPS, FLAT HEAD SHEET METAL
SCREWS

PVC/METAL: (QTY 2) #7 PHILLIPS, FLAT HEAD
SCREWS (LENGTH AND THREAD TYPE
TO BE DETERMINED BY PROFILE)

AVAILABLE LOCKS	A
17.19	.704 (17.9mm)
17.30	.954 (24.2mm)
17.68	.704 (17.9mm)
17.69	.704 (17.9mm)
17.74	.704 (17.9mm)

FIG. 6 45131.XX KEEPER (narrow flat base)



RECOMMENDED SCREWS:

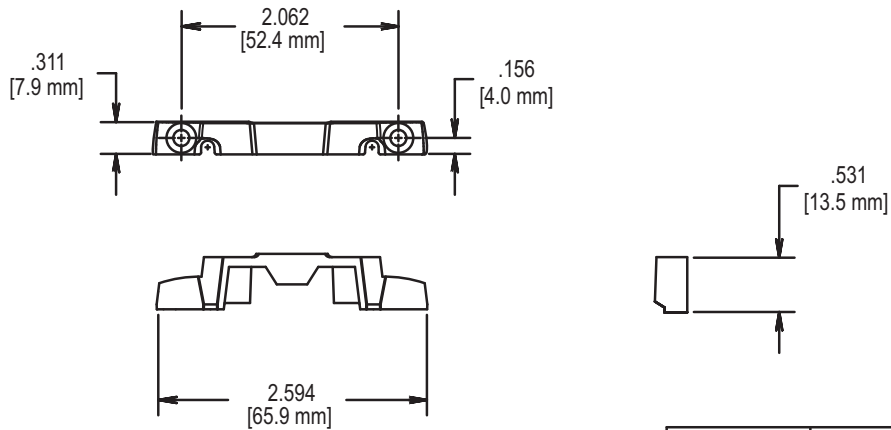
WOOD: (QTY 2) (P/N 19050) #6 X .750
PHILLIPS, FLAT HEAD SHEET METAL
SCREWS

PVC/METAL: (QTY 2) #6 PHILLIPS, FLAT HEAD
SCREWS (LENGTH AND THREAD TYPE
TO BE DETERMINED BY PROFILE)

AVAILABLE LOCKS	A
17.19	.704 (17.9mm)
17.30	.954 (24.2mm)
17.68	.704 (17.9mm)
17.69	.704 (17.9mm)
17.74	.704 (17.9mm)

17 ENTRYGARD® CAM LOCK KEEPERS

FIG. 7 40320.XX KEEPER (notched narrow base)



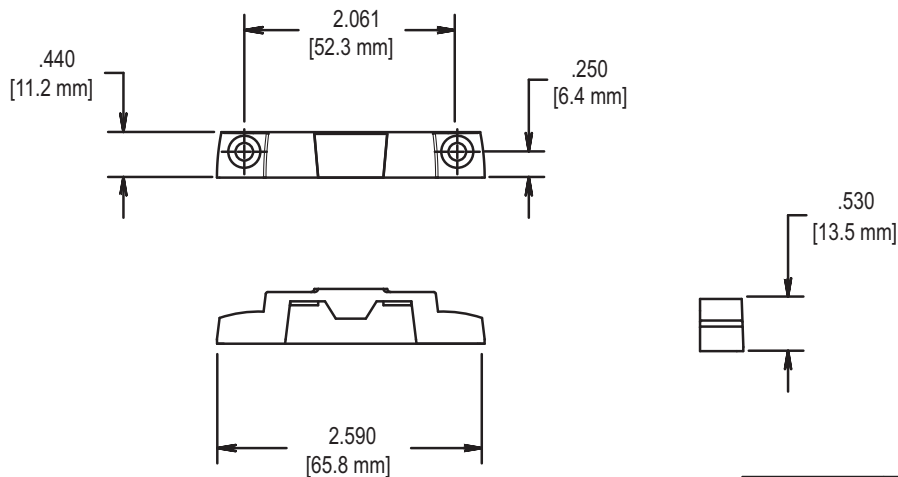
RECOMMENDED SCREWS:

WOOD: (QTY 2) (P/N 19050) #6 X .750
PHILLIPS, FLAT HEAD SHEET METAL
SCREWS

PVC/METAL: (QTY 2) #6 PHILLIPS, FLAT HEAD
SCREWS (LENGTH AND THREAD TYPE
TO BE DETERMINED BY PROFILE)

AVAILABLE LOCKS	A
17.19	.610 (15.5mm)
17.30	.860 (21.8mm)
17.68	.610 (15.5mm)
17.74	.610 (15.5mm)

FIG. 8 40367.XX KEEPER (without alignment lug slots)



RECOMMENDED SCREWS:

WOOD: (QTY 2) (P/N 19050) #7 X .750
PHILLIPS, FLAT HEAD SHEET METAL
SCREWS

PVC/METAL: (QTY 2) #7 PHILLIPS, FLAT HEAD
SCREWS (LENGTH AND THREAD TYPE
TO BE DETERMINED BY PROFILE)

AVAILABLE LOCKS	A
17.23	.704 (17.9mm)
17.31	.954 (24.2mm)
17.66	.704 (17.9mm)
17.67	.704 (17.9mm)
17.70	.704 (17.9mm)



Modeled after Truth's popular 9400 and EntryGard Series sash locks, the 17.04 Series Lock is an excellent option for either single or double-hung style windows. Designed with a slightly different mounting hole pattern than its predecessors, the 17.04 is designed easily adaptable to most window profiles in the market today.

- Concealed locking mechanisms help protect moving parts from dust and dirt for added lock life while producing a better seal of the sash at the head and sill.
- The internal cam eliminates unsightly paint abrasions caused by the interaction of cam and keeper.
- These locks are available with or without alignment lugs. These lugs have been designed to help prevent shifting of the rails during locking for an enhanced window seal. Tapered "nesting" lugs, which help guide the lock to the keeper are also an option.

WARRANTY: Protected under the terms of the "Truth Warranty for Window & Door Manufacturers & Authorized Distributors". Refer to Truth's Terms & Conditions for further details.

LOGO OPTIONS: For that "personalized touch", Truth's 17.04 Series Sash Locks are capable of accepting your company's name or logo. Truth's logo reproduction processes is an attractive way of highlighting your company signature.

MATERIAL: High-pressure, corrosion resistant, die-cast zinc.

FINISH: Electrostatically applied, durable coatings that provide excellent resistance to chipping, scratching and corrosion while maintaining color stability for years in direct sunlight. Please refer to Truth's Color Chart for examples of Truth's most popular finish options. Truth also offers a wide range of decorative "plated" finishes – contact Truth for additional information on availability of these finishes on specific product lines.

ORDERING INFORMATION:

1. Order a 17.04 Series Lock.
2. Order the 17.04 Series style of "keeper" desired (specify by part number).
3. Specify finish choice.



RECOMMENDED SCREWS:

Types of screws required determined by material of profile used (sold separately). For additional information on screw selection – see Truth Tips.

TRUTH TIPS:

1. A lock with pick-resistant alignment lugs should be used whenever possible. A lock without lugs should be chosen when the lugs cause interference with divided light grills or other window features.
2. When two locks are used on one window, the placement of each lock, with respect to its keeper, becomes very critical to maintain a constant weatherseal on all sides of the window and to insure that each lock engages properly with its keeper.
3. For accurate hardware placement in vinyl or metal applications, pre-drilling of the window profile is recommended.
4. For vinyl window applications, mounting screws should pass through two PVC walls, or one PVC wall and one insert wall. For this reason, it may be necessary to use a longer screw than is recommended.
5. For metal window profiles, Truth recommends stainless steel machine screws. However, in most applications, stainless steel sheet metal screws will provide adequate holding power.

INCLUDE TRUTH SPECS IN YOUR NEXT WINDOW PROJECT

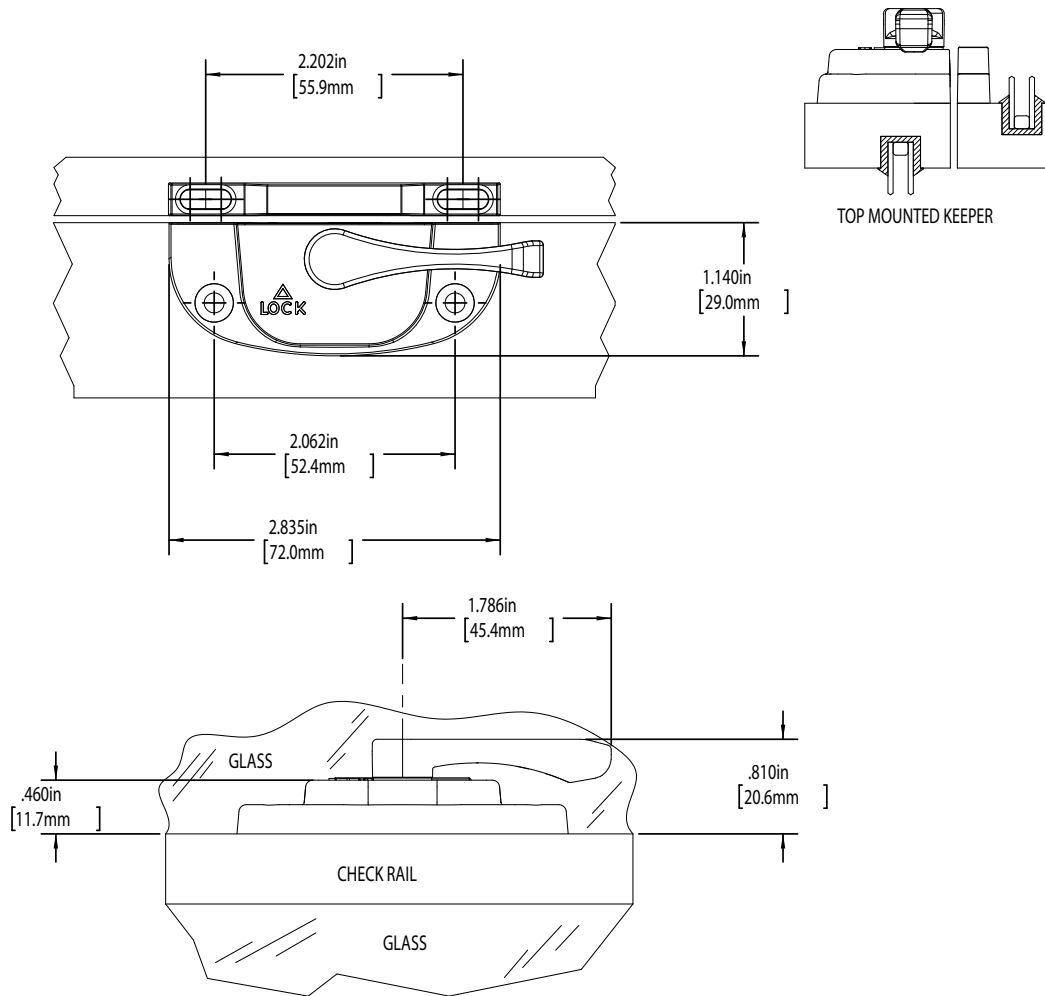
Window check rail locks shall be included which will increase both security and weather seal tightness. The lock must provide easy operation and positive locked feel.

Window check rail locks will be of internal cam design to provide optimum sealing of the meeting rails. The lock and accompanying keeper will prevent misalignment during locking. The lock and keeper shall be constructed of high pressure zinc alloy die castings.

Window locks shall be 17.04 Series Sash Locks as manufactured by Truth Hardware.

17.04 SASH LOCK

FIG. 1 APPLICATION OF TRUTH 17.04



PRODUCT NUMBER	SCREW HOLE SETBACK	WITH NESTING NIBS	WITHOUT NESTING NIBS
17.04.XX.100	.687"		X
17.04.XX.110	.687"		X
17.04.XX.200	.687"	X	
17.04.XX.203	.437"	X	
17.04.XX.204	.437"		X

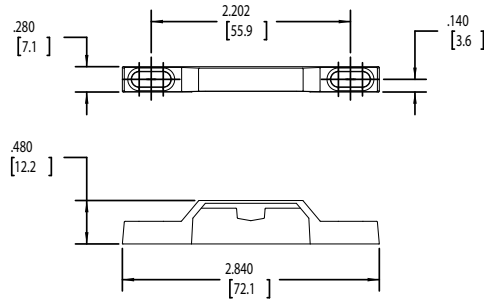
RECOMMENDED SCREWS:

WOOD: (QTY2) (P/N 19100) #7 X .750 PHILLIPS, FLAT HEAD, SHEET METAL SCREWS

PVC/METAL: (QTY 2) #7 PHILLIPS, FLAT HEAD SCREWS (LENGTH AND THREAD TYPE TO BE DETERMINED BY PROFILE)

17.04 SASH LOCK

FIG. 2 C09336 KEEPER

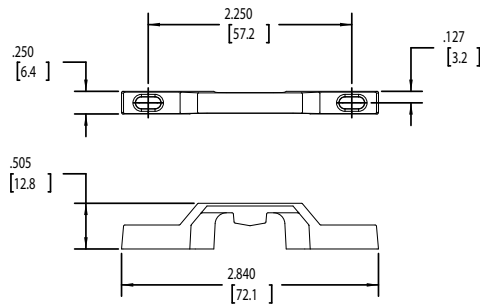


RECOMMENDED SCREWS:

(QTY 4) #6 PHILLIPS FLAT HEAD, SHEET METAL SCREWS
(LENGTH AND THREAD TYPE TO BE DETERMINED BY PROFILE)

AVAILABLE LOCKS	A
17.04.XX.100	.827 (21.0mm)
17.04.XX.110	.827 (21.0mm)
17.04.XX.200	.827 (21.0mm)
17.04.XX.203	.577 (14.7mm)
17.04.XX.204	.577 (14.7mm)

FIG. 3 C09417 KEEPER

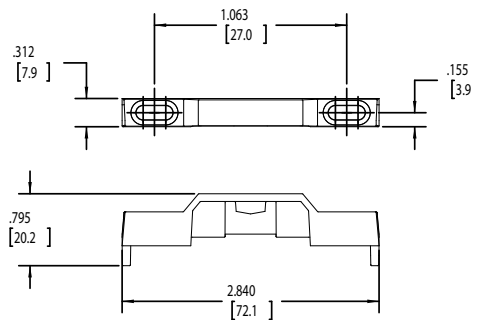


RECOMMENDED SCREWS:

(QTY 4) #4 PHILLIPS FLAT HEAD, SHEET METAL SCREWS
(LENGTH AND THREAD TYPE TO BE DETERMINED BY PROFILE)

AVAILABLE LOCKS	A
17.04.XX.100	.814 (20.7mm)
17.04.XX.110	.814 (20.7mm)
17.04.XX.200	.814 (20.7mm)
17.04.XX.203	.561 (14.2mm)
17.04.XX.204	.561 (14.2mm)

FIG. 4 41807 KEEPER

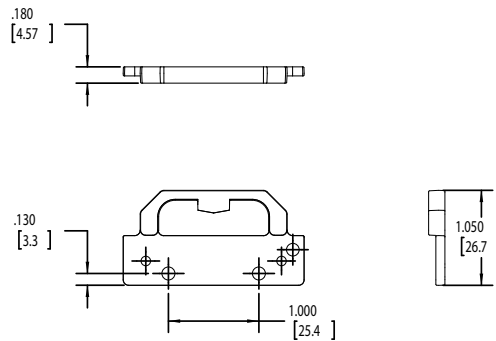


RECOMMENDED SCREWS:

(QTY 4) #6 PHILLIPS FLAT HEAD, SHEET METAL SCREWS
(LENGTH AND THREAD TYPE TO BE DETERMINED BY PROFILE)

AVAILABLE LOCKS	A
17.04.XX.100	.842 (21.4mm)
17.04.XX.110	.842 (21.4mm)
17.04.XX.200	.842 (21.4mm)
17.04.XX.203	.592 (15.0mm)
17.04.XX.204	.592 (15.0mm)

FIG. 5 C09213 KEEPER



RECOMMENDED SCREWS:

(QTY 4) #6 PHILLIPS FLAT HEAD, SHEET METAL SCREWS
(LENGTH AND THREAD TYPE TO BE DETERMINED BY PROFILE)

AVAILABLE LOCKS	A
17.04.XX.100	.832 (21.3mm)
17.04.XX.110	.832 (21.1mm)
17.04.XX.200	.832 (21.1mm)
17.04.XX.203	.582 (14.8mm)
17.04.XX.204	.582 (14.8mm)



Truth Hardware’s “stealth” lock has its housing hidden inside the sash for the ultimate in low profile locking systems.

- The fasteners are installed from the front face of the locks’ base and keeper, thereby eliminating everything except the handle from view.
- Totally concealed locking mechanism helps protect moving parts from dust and dirt from accumulating.

WARRANTY:

Protected under the terms of the “Truth Warranty for Window & Door Manufacturers & Authorized Distributors”. Refer to Truth’s Terms & Conditions for further details.

FINISH: Electrostatically applied, durable coatings that provide excellent resistance to chipping, scratching and corrosion while maintaining color stability for years in direct sunlight. Please refer to Truth’s Color Chart for examples of Truth’s most popular finish options. Truth also offers a wide range of decorative “plated” finishes – contact Truth for additional information on availability of these finishes on specific product lines.

MATERIAL: High pressure, corrosion-resistant, die-cast zinc.

RECOMMENDED SCREWS:

Refer to drawings for complete information on screw type and quantity needed (sold separately).

ORDERING INFORMATION:

1. Order 9900 Series Sash Lock
2. Select keeper style needed (order by item number)
3. Specify finish choice.

TRUTH TIPS:

1. When two locks are used on one window, the placement of each lock, with respect to its keeper, becomes very critical to maintain a constant weatherseal on all sides of the window and to insure that each lock engages properly with its keeper.



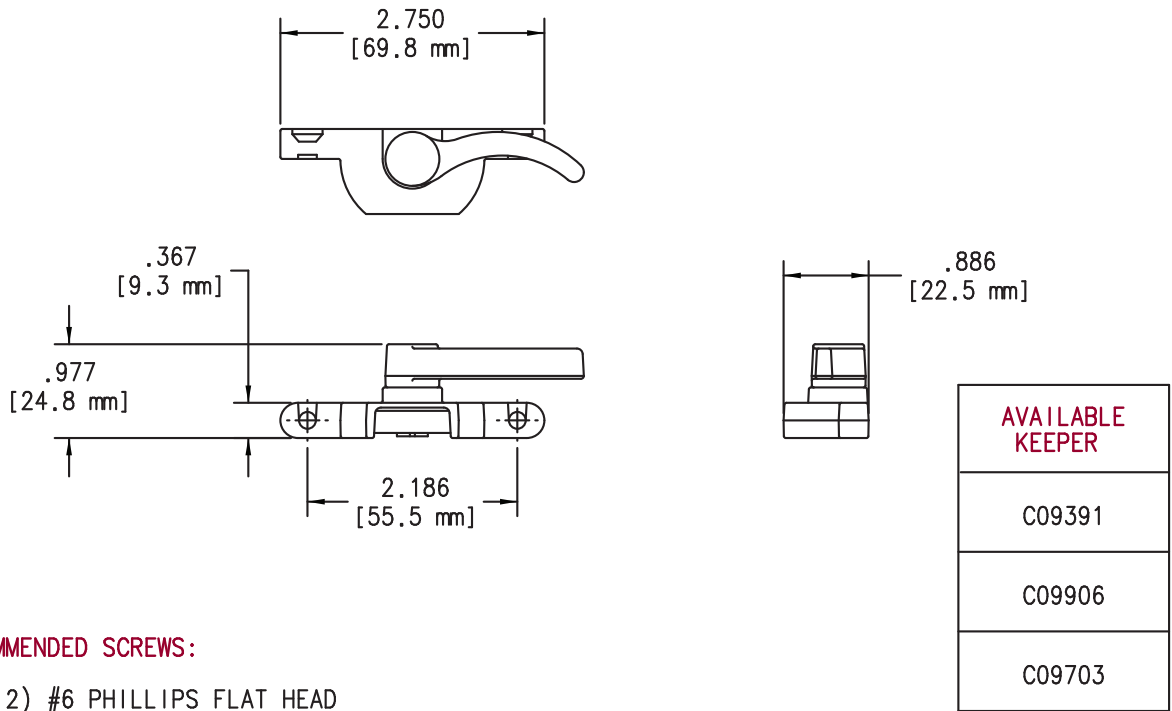
INCLUDE TRUTH SPECS ON YOUR NEXT WINDOW PROJECT

Window check rail locks shall be included which will increase both security and weather seal tightness. The lock must provide easy operation and positive locked feel, while being low in profile to improve the windows appearance.

Window check rail locks will be of internal cam design to provide optimum pull-in to aid in sealing the meeting rails. The lock and keeper shall be constructed of high pressure zinc alloy die castings.

Window locks shall be 9900 Series Sash Lock as manufactured by Truth Hardware.

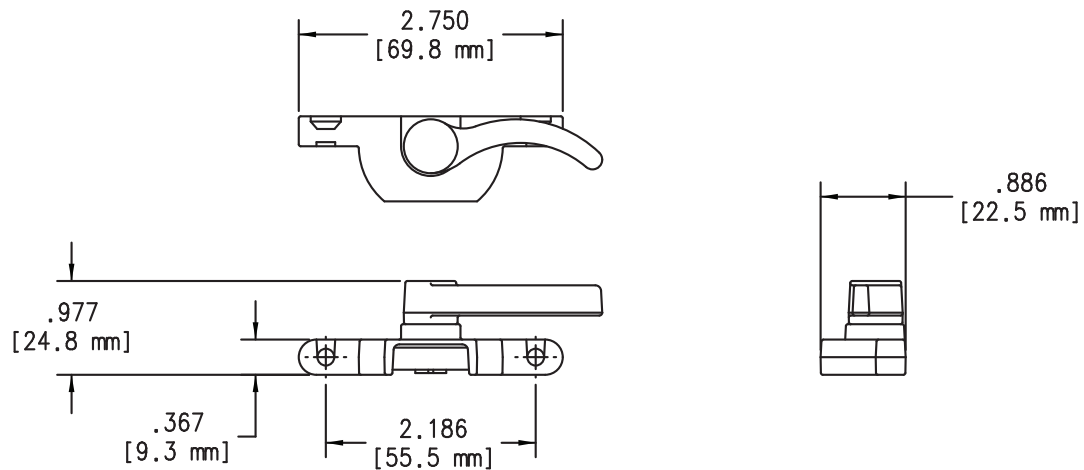
FIG. 1 SASH LOCK STANDARD REACH CAM



RECOMMENDED SCREWS:

(QTY 2) #6 PHILLIPS FLAT HEAD
SCREWS (LENGTH AND THREAD TYPE
TO BE DETERMINED BY PROFILE)

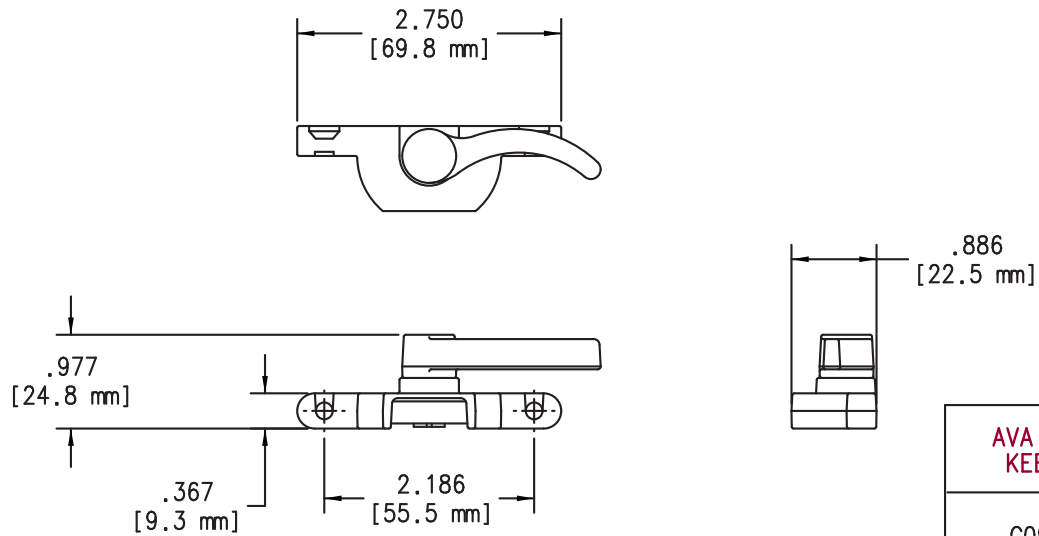
FIG. 2 SASH LOCK FLAT BLADE CAM



RECOMMENDED SCREWS:

(QTY 2) #6 PHILLIPS FLAT HEAD
SCREWS (LENGTH AND THREAD TYPE
TO BE DETERMINED BY PROFILE)

FIG. 3 SASH LOCK SHORT REACH CAM

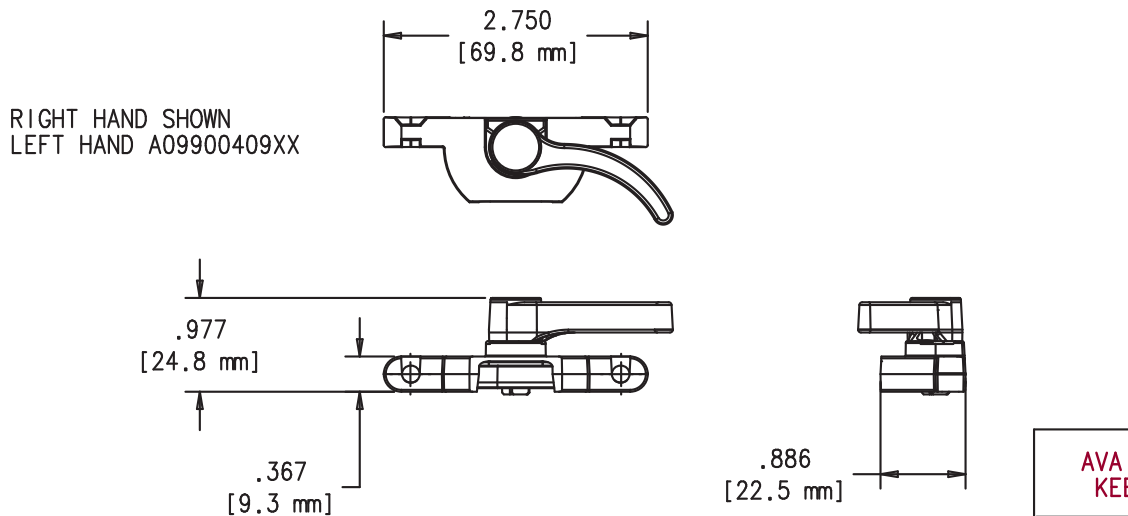


RECOMMENDED SCREWS:

(QTY2) #6 PHILLIPS FLAT HEAD SCREWS (LENGTH AND THREAD TYPE TO BE DETERMINED BY PROFILE)

AVAILABLE KEEPER
C09391
C09906
C09703

FIG. 4 SASH LOCK STANDARD REACH CAM

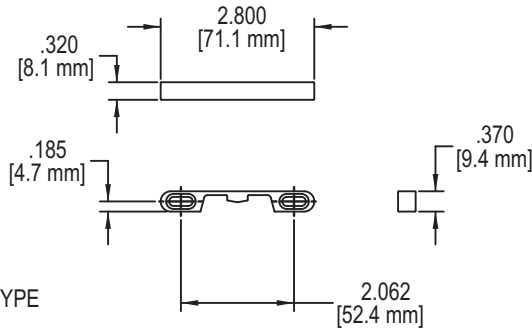


RECOMMENDED SCREWS:

(QTY2) #6 PHILLIPS FLAT HEAD SCREWS (LENGTH AND THREAD TYPE TO BE DETERMINED BY PROFILE)

AVAILABLE KEEPER
C09391
C09906
C09703

FIG. 5 9391 KEEPER

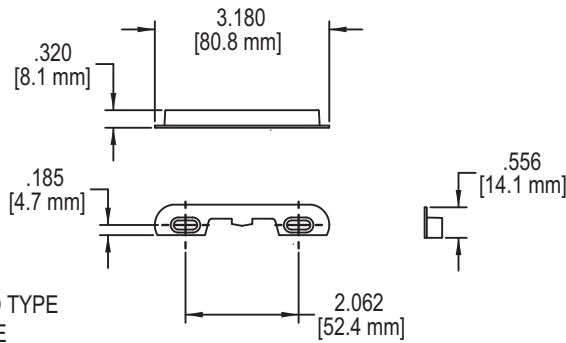


RECOMMENDED SCREWS:

(QTY 2) #6 PHILLIPS FLAT HEAD SCREWS (LENGTH AND THREAD TYPE TO BE DETERMINED BY PROFILE)

AVAILABLE LOCKS
A09900402
A09900404
A09900408

FIG. 6 9703 KEEPER

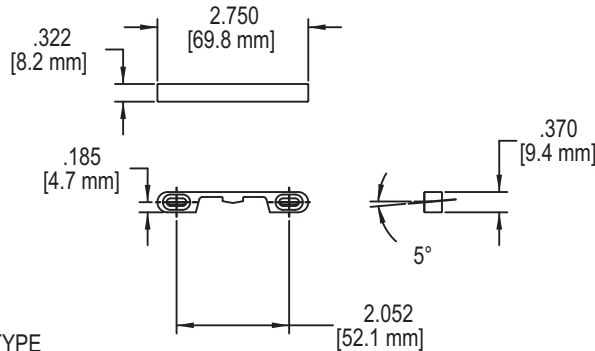


RECOMMENDED SCREWS:

(QTY 2) #6 PHILLIPS FLAT HEAD SCREWS (LENGTH AND THREAD TYPE TO BE DETERMINED BY PROFILE)

AVAILABLE LOCKS
A09900402
A09900404
A09900408

FIG. 7 9906 KEEPER

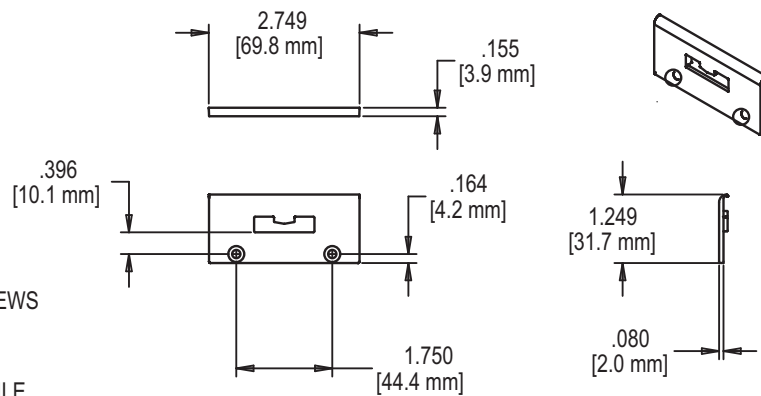


RECOMMENDED SCREWS:

(QTY 2) #6 PHILLIPS FLAT HEAD SCREWS (LENGTH AND THREAD TYPE TO BE DETERMINED BY PROFILE)

AVAILABLE LOCKS
A09900402
A09900404
A09900408

FIG. 8 43039 KEEPER



A09930402 LOCK ASSEMBLY

RECOMMENDED SCREWS:

(QTY 2) #6 SHEET METAL SCREWS PHILLIPS FLAT HEAD SCREWS (LENGTH AND THREAD TYPE TO BE DETERMINED BY PROFILE)

AVAILABLE LOCKS
A09900402
A09900404
A09900408



Engineered with a fresh new style and a streamline design that conceals the keeper under the housing, Truth's 9950 Series Lock and Keepers are a unique way to accent your window.

WARRANTY: Protected under the terms of the "Truth Warranty for Window & Door Manufacturers & Authorized Distributors". Refer to Truth's Terms & Conditions for further details.

MATERIAL: High-pressure, corrosion-resistant, die-cast zinc.

FINISH: Electrostatically applied, durable coatings that provide excellent resistance to chipping, scratching and corrosion while maintaining color stability for years in direct sunlight. Please refer to Truth's Color Chart for examples of Truth's most popular finish options. Contact Truth for additional information on availability of these finishes on specific product lines.

ORDERING INFORMATION:

1. Choose the 9950 series lock required. See drawings for available options.
2. Order the 9954 series keeper.
3. Specify finish choice.

RECOMMENDED SCREWS:

Types of screws required determined by material of profile used. Refer to drawings for complete information on screw type and quantity needed (sold separately). For additional information on screw selection - see Truth Tips.

TRUTH TIPS:

1. When two locks are used on one window, the placement of each lock, with respect to its keeper, becomes very critical to maintain a constant weatherseal on all sides of the window and to insure that each lock engages properly with its keeper.
2. For accurate hardware placement in vinyl or metal applications, pre-drilling of the window profile is recommended.
3. For vinyl window applications, mounting screws should pass through



two PVC walls, or one PVC wall and one insert wall. For this reason, it may be necessary to use a longer screw than is recommended.

4. For metal window profiles, Truth recommends stainless steel machine screws. However, in most applications, stainless steel sheet metal screws will provide adequate holding power.

INCLUDE TRUTH SPECS ON YOUR NEXT WINDOW PROJECT

Window check rail locks shall be included which will increase both security and weather seal tightness. The lock must provide easy operation and positive locked feel. The keeper should be concealed under the housing of the lock.

Window check rail locks will be of internal cam design to provide optimum pull-in to aid in sealing the meeting rails. The lock and accompanying keeper will prevent mis-alignment during locking. The lock and keeper shall be constructed of high pressure zinc alloy die castings.

Window locks shall be 9950 Series locks as manufactured by Truth Hardware.

9950 LOCK WITH CONCEALED KEEPER

FIG. 1 A09950400XX SASH LOCK

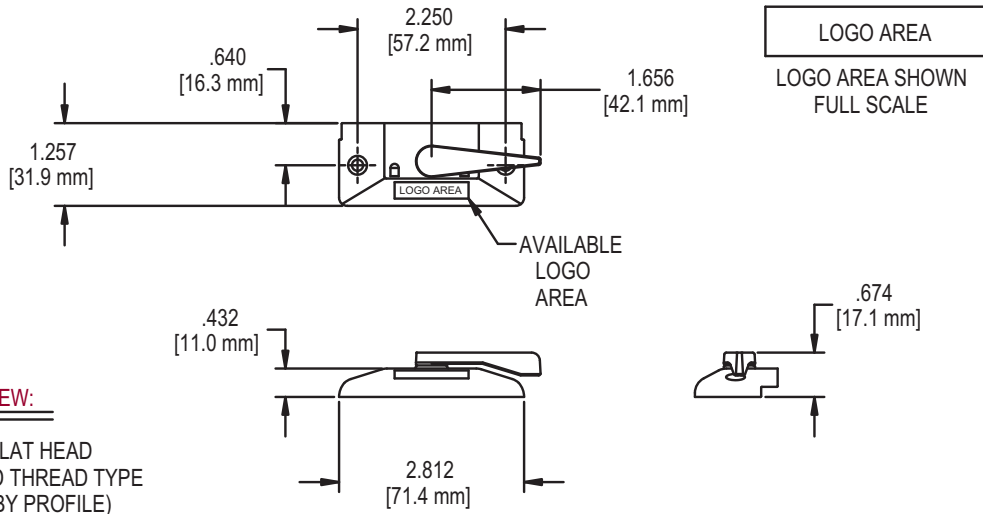


FIG. 2 A09950401XX SASH LOCK

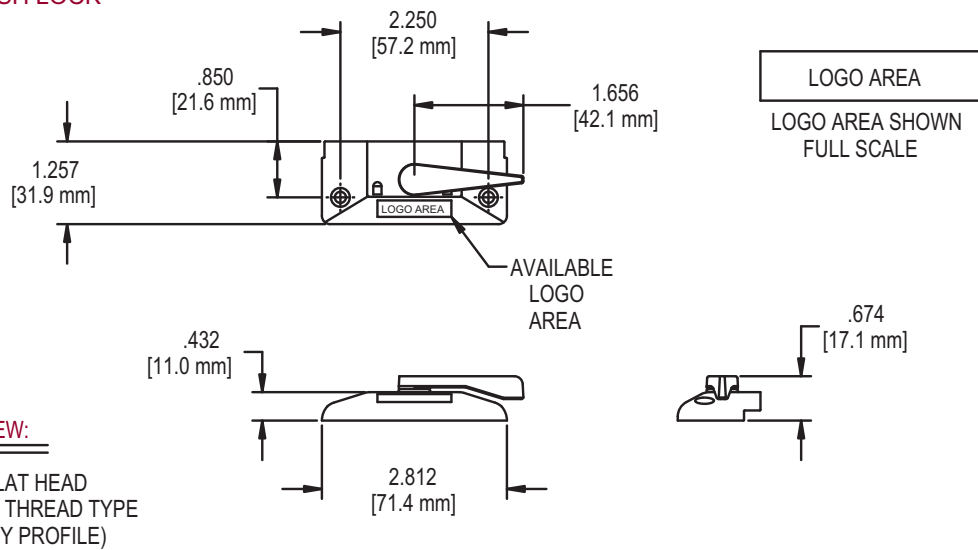
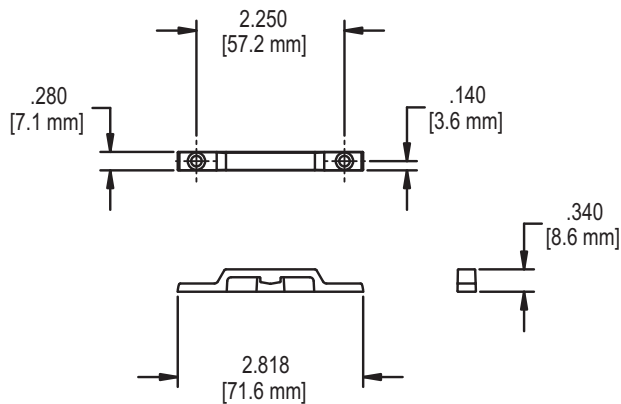


FIG. 3 C09954XX CONCEALED KEEPER





Stylish new design to the housing has made this lock a popular upgrade from those using the 7538 Series Sash Locks. As with its predecessor, the 30590 still has the following features which made it one of the industry's best:

- Streamlined low profile handle folds snugly against the housing producing a clean appearance, and helps to eliminate interference in shipping.
- One-piece box construction spring provides a strong detent in handle movement, thus assuring the homeowner that the handle has completed its travel.
- Available in either left- or right-hand, Truth's Cam Gard Lock is built with a base plate to help improve its forced entry resistance (FER).
- 30590 latches are designed to be compatible with specific keepers that will help produce the optimum engagement between lock and keeper.

WARRANTY: Protected under the terms of the "Truth Warranty for Window & Door Manufacturers & Authorized Distributors". Refer to Truth's Terms & Conditions for further details.

MATERIAL: High-pressure, corrosion-resistant, die-cast zinc.

FINISH: Electrostatically applied, durable coatings that provide excellent resistance to chipping, scratching and corrosion while maintaining color stability for years in direct sunlight. Please refer to Truth's Color Chart for examples of Truth's most popular finish options. Truth also offers a wide range of decorative "plated" finishes – contact Truth for additional information on availability of these finishes on specific product lines.

ORDERING INFORMATION:

1. Refer to the following drawing for item number information for the Cam Gard Lock you require. (Note: these locks are "handed")
2. Order the keeper style required.
3. Specify finish choice.

RECOMMENDED SCREWS:

Types of screws required determined by material of profile used (sold separately). For additional information on screw selection - see Truth Tips.

TRUTH TIPS:

1. When two locks are used on one window, the placement of each lock, with respect to its keeper, becomes very critical to maintain a constant weatherseal on all sides of the window and to insure that each lock engages properly with its keeper.
2. For accurate hardware placement in vinyl or metal applications, pre-drilling of the window profile is recommended.
3. For vinyl window applications, mounting screws should pass through two PVC walls, or one PVC wall and one insert wall. For this reason, it may be necessary to use a longer screw than is recommended.
4. For metal window profiles, Truth recommends stainless steel machine screws. However, in most applications, stainless steel sheet metal screws will provide adequate holding power.

INCLUDE TRUTH SPECS ON YOUR NEXT WINDOW PROJECT

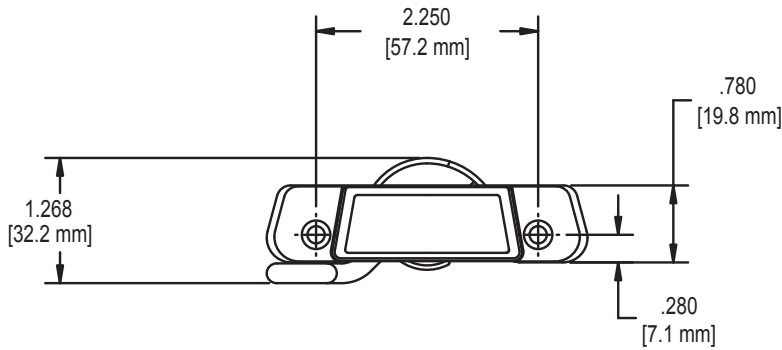
Window check rail locks shall be included which will increase both security and weather seal tightness. The lock must provide easy operation and a positive locked feel.

The lock and keeper shall be constructed of high pressure zinc alloy die castings.

Window locks shall be 30590 Cam Gard Series as manufactured by Truth Hardware.

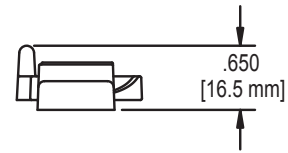
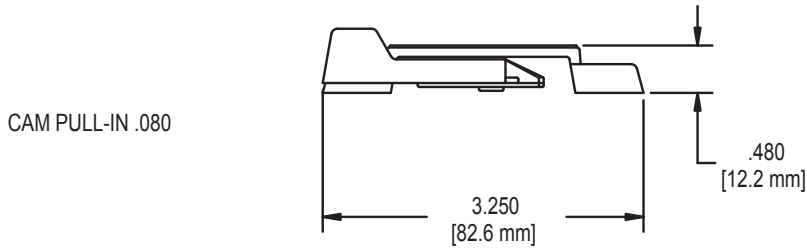


FIG. 1 A30590402 LOCK



RIGHT HAND	A30590402
LEFT HAND	A30590403

LEFT HAND SHOWN

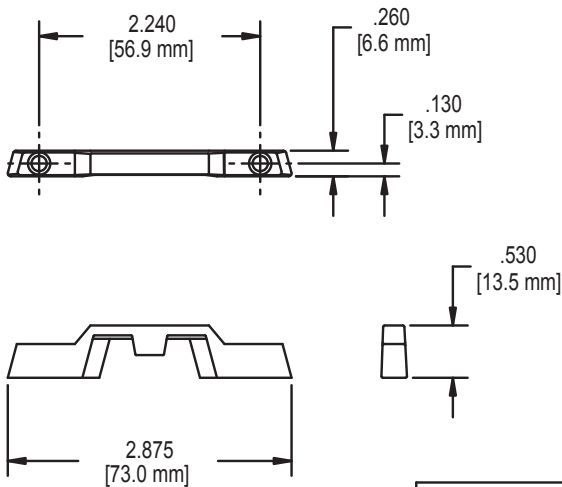


RECOMMENDED SCREWS:

(QTY 2) #6 PHILLIPS FLAT HEAD SCREWS
(LENGTH AND THREAD TYPE TO BE DETERMINED BY PROFILE)

AVAILABLE KEEPERS	A	B	C
C30628	0.56	0.04	0.5
C30643	0.617	0.04	

FIG. 2 C30628.XX KEEPER

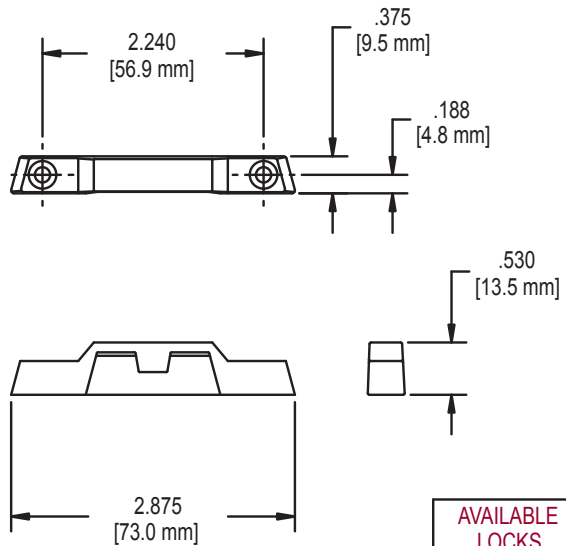


AVAILABLE LOCKS
A30590402
A30590403

RECOMMENDED SCREWS:

(QTY 2) #6 WITH A #5 HEAD PHILLIPS FLAT HEAD SCREW
(LENGTH AND THREAD TYPE TO BE DETERMINED BY PROFILE)

FIG. 3 C30643.XX KEEPER



AVAILABLE LOCKS
A30590402
A30590403

RECOMMENDED SCREWS:

(QTY 2) #6 PHILLIPS FLAT HEAD SCREW (LENGTH AND THREAD TYPE TO BE DETERMINED BY PROFILE)



When the window's design or the home's décor calls for that traditional touch, Truth's Restoration Hardware is the answer. Designed and crafted to replicate the styling of window hardware from an earlier era, Truth has used today's technology to create a hardware system that is both stylish and functional.

APPLICATION AND DESIGN:

Truth's Restoration Lock comes equipped with the traditional open cam lock, and is fitted with a durable plastic insert on the keeper to protect the surface of the cam during lock-up and to aid in its smooth operation. This open cam design also provides for a simple visual indicator that the system is locked.

The traditional styling of the thumb lever on the lock is ergonomically simple to operate. The spring back design snaps the cam into the lock or un-locked position which reduces the potential for accidental marring of grilles.

With a lower profile than many other lock and keeper configurations, Truth's Restoration Lock system helps to minimize sight line interference.

Utilizing standard mounting holes (2-1/16") and setback (11/16") this lock and keeper are an easy retrofit to existing lock applications thereby reducing any additional manufacturing set-ups.

Truth also offers a Restoration Sash Lift which has a traditional finger-pull look, and encourages the lifting of the window from bottom thereby putting less stress on the sash than would occur from pushing on the top rail. See Truth's Sash Lift section for further technical information.



WARRANTY: Protected under the terms of the Truth Warranty for Window & Door Manufacturers & Authorized Distributors. Refer to Truth's Terms & Conditions for further details.

MATERIAL: High-pressure, corrosion-resistant die-cast zinc. Molded plastic insert.

FINISH: Electrostatically applied, durable coatings that provide excellent resistance to chipping, scratching and corrosion while maintaining color stability for years in direct sunlight. Please refer to Truth's Color Chart for examples of Truth's most popular finish options. Truth also offers a wide range of decorative "plated" finishes – contact Truth for additional information on availability of these finishes on specific product lines.

ORDERING INFORMATION:

1. Order item #17.02 Restoration Lock.
2. Order item #12594.XX Restoration Keeper
3. Order item #18.16 Restoration Lift
4. Specify finish
5. Select screws (fasteners). Sold separately.

RECOMMENDED SCREWS:

Phillips flat head screws. Refer to drawings for additional specs. Length and thread type to be determined by profile. For further information on screw selection – see Truth Tips

TRUTH TIPS:

1. When two locks are used on one window, the placement of each lock, with respect to its keeper becomes very critical to maintain a constant weather seal on all sides of the window and to insure that each lock engages properly with its keeper.
2. For accurate hardware placement in vinyl or metal applications, pre-drilling of the window profile is recommended.
3. For vinyl window applications, mounting screws should pass through two PVC walls, or one PVC wall and one insert wall. For this reason, it may be necessary to use a longer screw than is recommended.

INCLUDE TRUTH SPECS ON YOUR NEXT WINDOW PROJECT

Window check rail locks shall be included which increase both security and weather seal tightness. The lock must provide easy operation and positive locked feel (detent). Window check rail locks shall be of open cam design.

Locks will be of #17 Series design as manufactured by Truth Hardware.

FIG. 1 RESTORATION LOCK APPLICATION

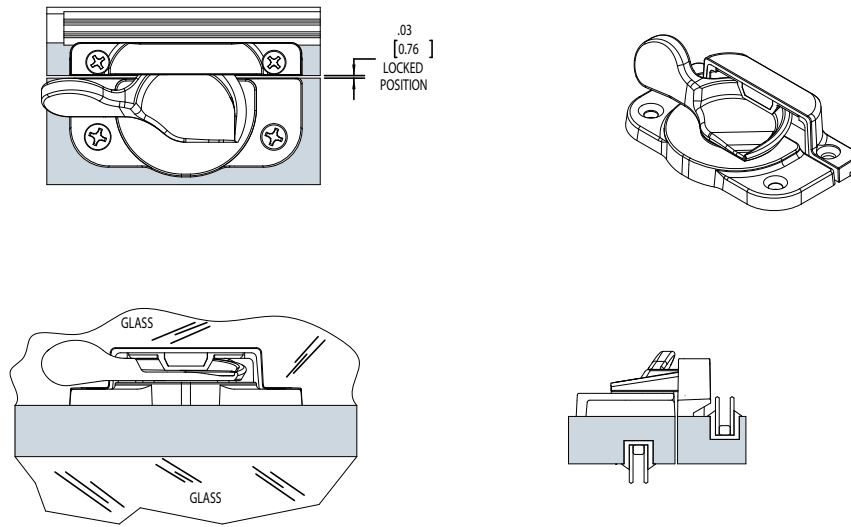
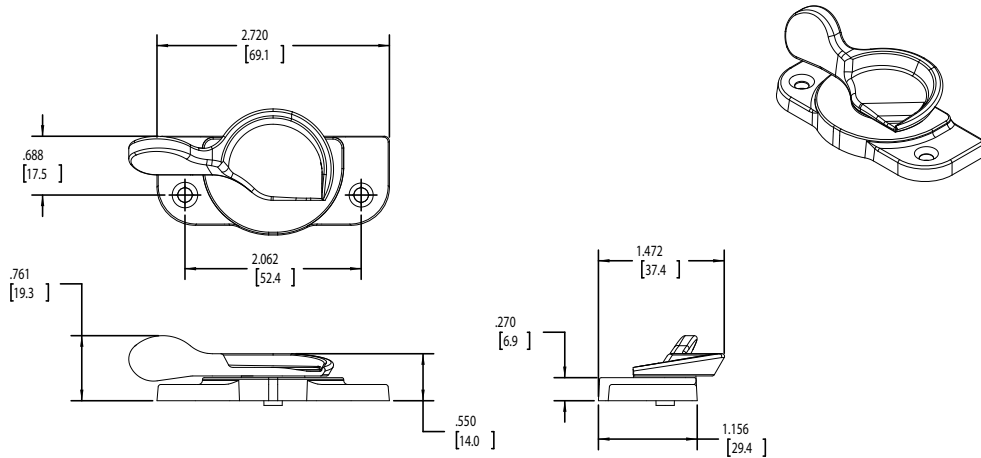


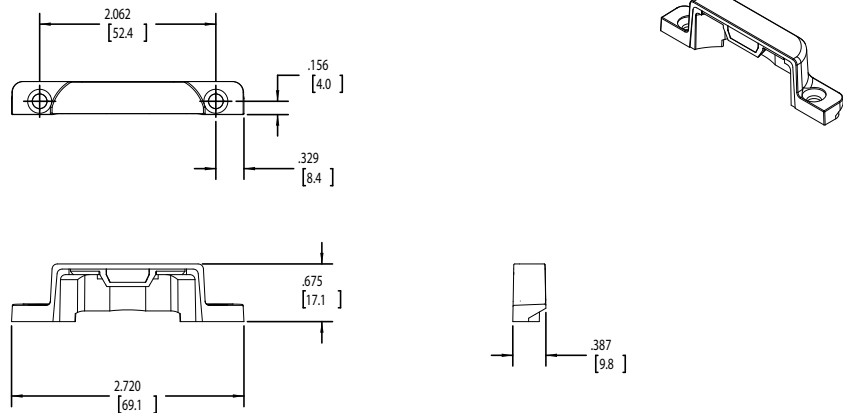
FIG. 2 17.02 RESTORATION LOCK APPLICATION



RECOMMENDED SCREWS:

(QTY 2) #6 PHILLIPS FLAT HEAD SCREWS
(LENGTH AND TYPE TO BE DETERMINED BY
PROFILE)

FIG. 3 12594 KEEPER



RECOMMENDED SCREWS:

(QTY 2) #6 PHILLIPS FLAT HEAD SCREWS
(LENGTH AND TYPE TO BE DETERMINED BY
PROFILE)

Truth Hardware's Positive Action Lock (PAL) Systems are some of the most versatile and easy to operate locking systems in the marketplace today. Available in the original Push Button design and new Slide Tab designs, these lock systems are simple to operate and provide added security for both vinyl or wood windows.

A simple movement of the locking tab or push of the button disengages the lock allowing the sash to move freely. When the window is closed the PAL System automatically locks, securing the window without having to manipulate the lock again.

Certain models can be used with or without a keeper depending on the window's design. Window profiles that incorporate a notch in the meeting rail may not require a keeper to secure the window in the locked position resulting in decreased inventory costs to the manufacturer and infinite side-to-side forgiveness in the locks' application.

FEATURES & BENEFITS:

Snap-on Cover: Available in the 19.62/63 slide tab designs, this feature allows for more aesthetic cover possibilities thus reducing material costs and allowing it to fit more applications.

Easy Operation: Comfortable finger pull (slide tab design) provides positive feedback that the lock is fully retracted (slight "snap" felt). Text is located under the pull on the lock to indicate an un-locked condition when the lock bolt is retracted. This provides at-a-glance feedback to the homeowner that the lock is in the unlocked state.

Multiple Mounting Options: Slide Tab design can be mounted with screw fasteners in both the vertical (recessed or top mount) and horizontal (recessed only) orientations and may be fitted into Truth's standard 9369 Series Recessed Lock cut-out (call Truth for info).

Visual Security: The Truth lock bolt on the PAL System will stay retracted when opening the sash and remain retracted until triggered in a positively locked position. Competitive locks tend to trigger when opening the sash, thus providing a false locked position. This unique feature helps users of the PAL System to prevent accidental marring of their window as the lock slides past decorative grilles.

Multiple Keeper configurations: Including top-mount, and face mount keepers. Custom keepers also available to meet customer specific application needs.

LOGO OPTIONS:

For that "personalized touch," Truth Hardware's Positive Action Locks are capable of accepting your company's name or logo with Truth's pad printing process. This logo reproduction process is an attractive way of highlighting your company signature.

WARRANTY:

Protected under the terms of the Truth Warranty for Window & Door Manufacturers and Authorized Distributors. Refer to Truth's Terms & Conditions for further details.

MATERIAL:

High pressure, corrosion resistant, die-cast zinc with a high strength acetal bolt. Slide Tab version constructed of high quality molded plastic cover over die cast base.

FINISH:

Electrostatically applied, durable coatings that provide excellent resistance to chipping, scratching and corrosion while maintaining color stability for years in direct sunlight. Please refer to Truth's color chart for examples of Truth's most popular finish options. Truth also offers a wide range of decorative "plated" finishes – contact Truth for additional information on availability of these finishes on specific product lines.

ORDERING INFORMATION:

- Order PAL System style (specify by part number)
 - #19.62.00.002 Slide Tab PAL – Hook Version w/screw hole spread 1.812 and 1.312
 - #19.63.00.001 Slide Tab PAL – Hook Version w/screw hole spread 2.062
- Order covers for 19.62/63 Slide Tab Versions separately
 - #13663.XX Cover (19.62 model)
 - #13885.XX Cover (19.63 model)
- Specify finish number.
- Select screws (fasteners). Sold separately.

RECOMMENDED SCREWS:

2 - #7 Phillips Flat Head Screws. Refer to drawings for additional specs. Length and thread type to be determined by profile. For further information on screw selection – see Truth Tips.



TRUTH TIPS:

- For accurate hardware placement in vinyl applications, pre-drilling of the window profile is strongly recommended.
- To help locate mounting position, Truth recommends a "locating groove" in the profile. The "dimpled" version of the PAL System used on profiles with a groove will also help keep lock in position during application process.
- For vinyl window applications, mounting screws should pass through two PVC walls, or one PVC wall and one insert wall. For this reason, it may be necessary to use a longer screw than is recommended.
- For top mounted keeper configurations a 0.3" minimum deep surface is needed on the fixed rail with both surfaces flush when closed.

INCLUDE TRUTH SPECS ON YOUR NEXT WINDOW PROJECT

Window check rail locks shall be included which will increase both security and weather seal tightness. The lock must provide easy operation and positively locks upon closure.

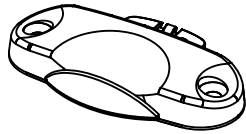
Window lock will be of quick snap action swing bolt design providing maximum forgiveness for sash alignment. The product will be constructed of high pressure zinc alloy die cast with high strength acetal bolt.

Window lock shall have automatic latching to allow user to use both hands to move the sash. Window will be unlocked by pressing a push lever, or sliding tab.

Window locks will be 19 series Positive Action Locks as manufactured by Truth Hardware, Owatonna, Minnesota.

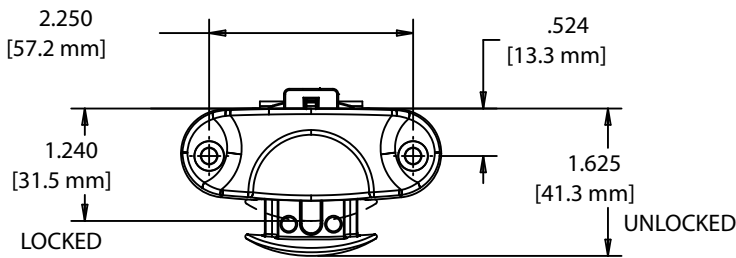
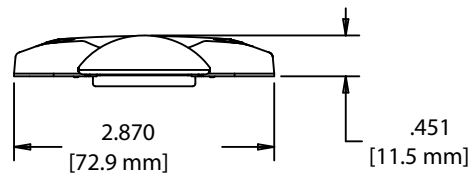
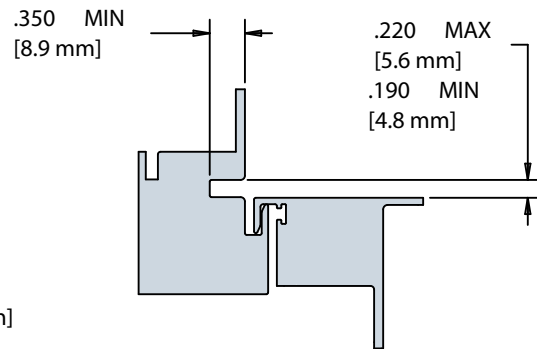
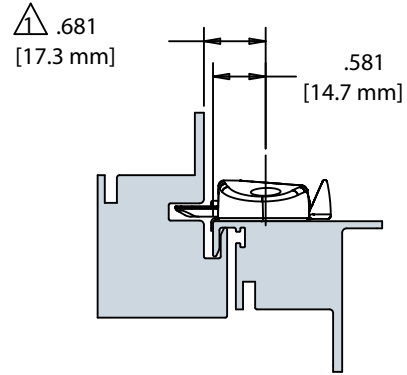
19 POSITIVE ACTION LOCK (PAL SYSTEM)

FIG. 1 APPLICATION OF 19.64 POSITIVE ACTION LOCK (PAL) SYSTEM



LOCKED POSITION SHOWN

HARDWARE SHOWN	
19.64	P.A.L.



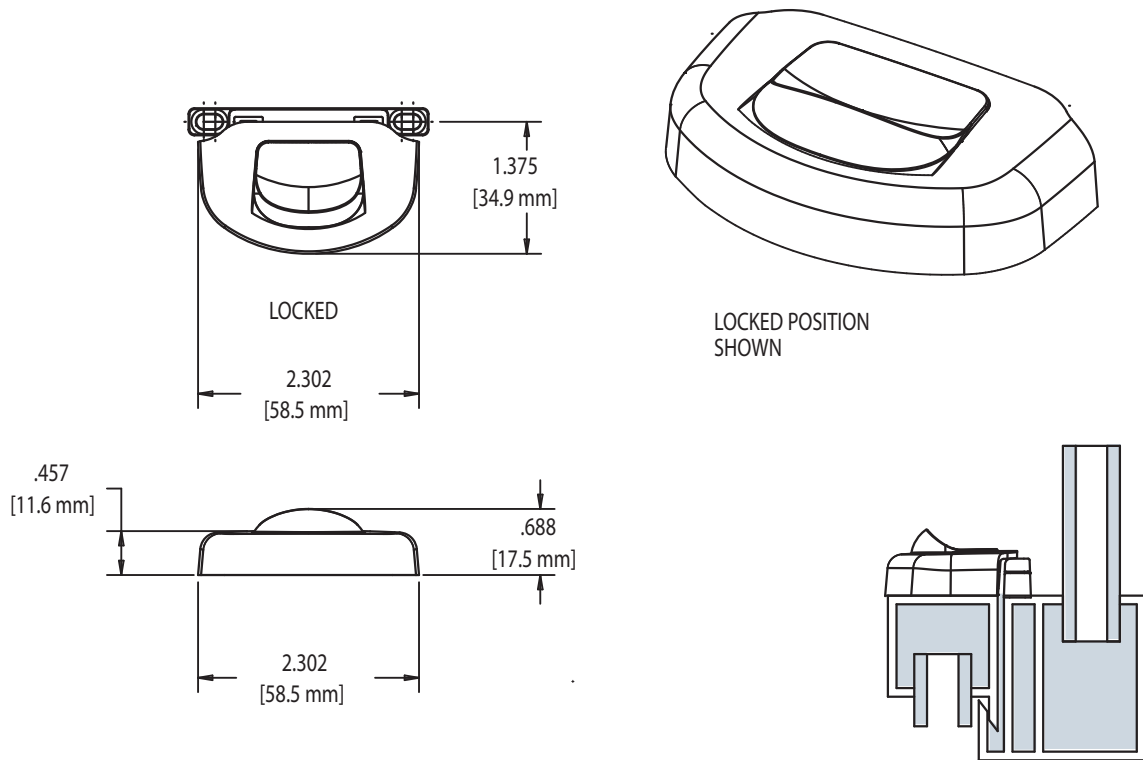
RECOMMENDED SCREWS:

WOOD: #7 PHILLIPS FLAT HEAD SHEET METAL SCREWS
(LENGTH TO BE DETERMINED BY PROFILE)

PVC/METAL: #7 PHILLIPS FLAT HEAD SCREWS,(LENGTH AND
THREAD TYPE TO BE DETERMINED BY PROFILE)

⚠ DIMENSION MUST BE MAINTAINED FOR PROPER LOCK OPERATION
**FOR ACCURATE HARDWARE PLACEMENT PRE-DRILLING IS STRONGLY RECOMMENDED

FIG. 2 APPLICATION OF 19.62 POSITIVE ACTION LOCK (PAL) SYSTEM



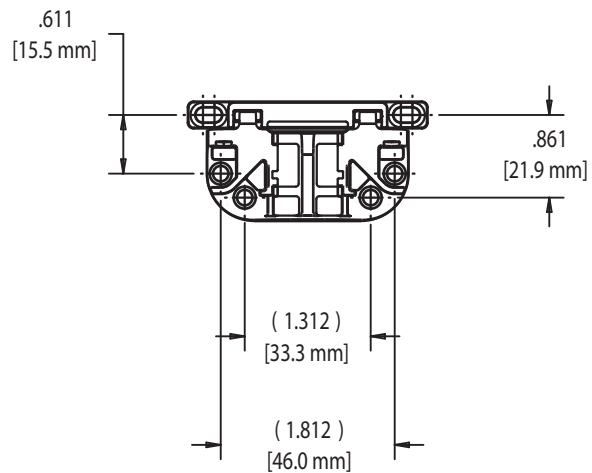
HARDWARE SHOWN	
19.62	P.A.L.
45579.XX	KEEPER
13663.XX	COVER

FOR ADDITIONAL KEEPER
OPTIONS CONTACT TRUTH

RECOMMENDED SCREWS:

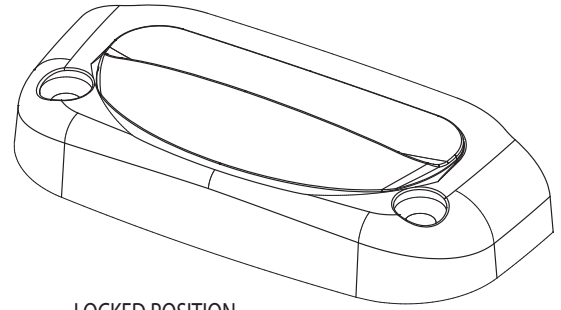
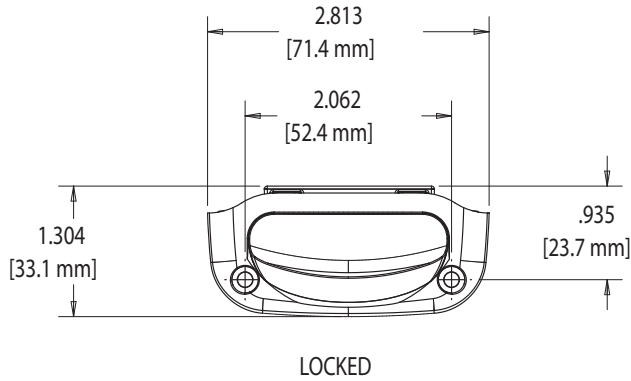
WOOD: #7 PHILLIPS FLAT HEAD SHEET METAL SCREWS
(LENGTH TO BE DETERMINED BY PROFILE)

PVC/METAL: #7 PHILLIPS FLAT HEAD SCREWS (LENGTH AND THREAD
TYPE TO BE DETERMINED BY PROFILE)

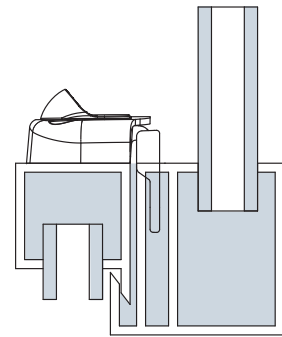
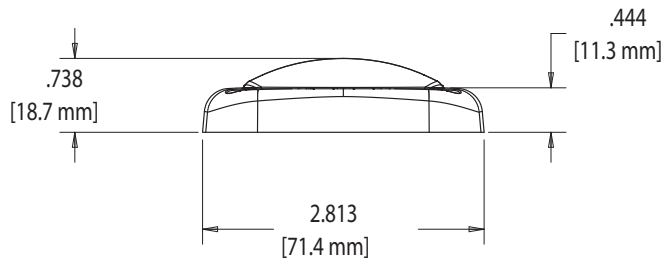


19 POSITIVE ACTION LOCK (PAL SYSTEM)

FIG. 3 APPLICATION OF 19.63 POSITIVE ACTION LOCK (PAL) SYSTEM

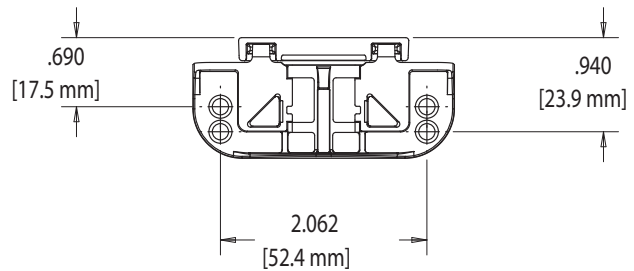


LOCKED POSITION SHOWN



HARDWARE SHOWN	
19.63	P.A.L.
45639.XX	KEEPER
13885.XX	COVER

FOR ADDITIONAL KEEPER
OPTIONS CONTACT TRUTH

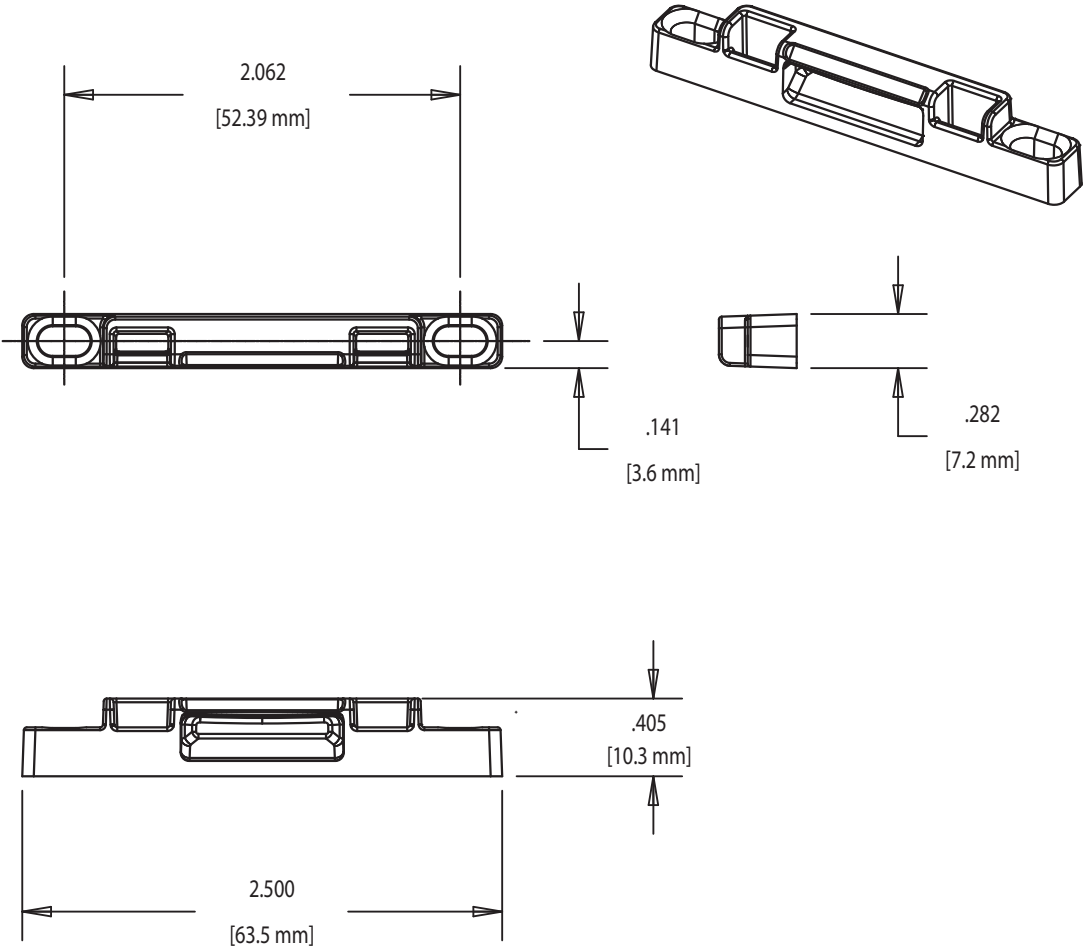


RECOMMENDED SCREWS:

WOOD: #6 PHILLIPS FLAT HEAD SHEET METAL SCREWS (LENGTH AND THREAD TYPE TO BE DETERMINED BY PROFILE)

PVC/METAL: #6 PHILLIPS FLAT HEAD SCREWS, (LENGTH AND THREAD TYPE TO BE DETERMINED BY PROFILE)

FIG. 4 45579.XX KEEPER



AVAILABLE LOCK	
19.62	PAL
19.63	PAL

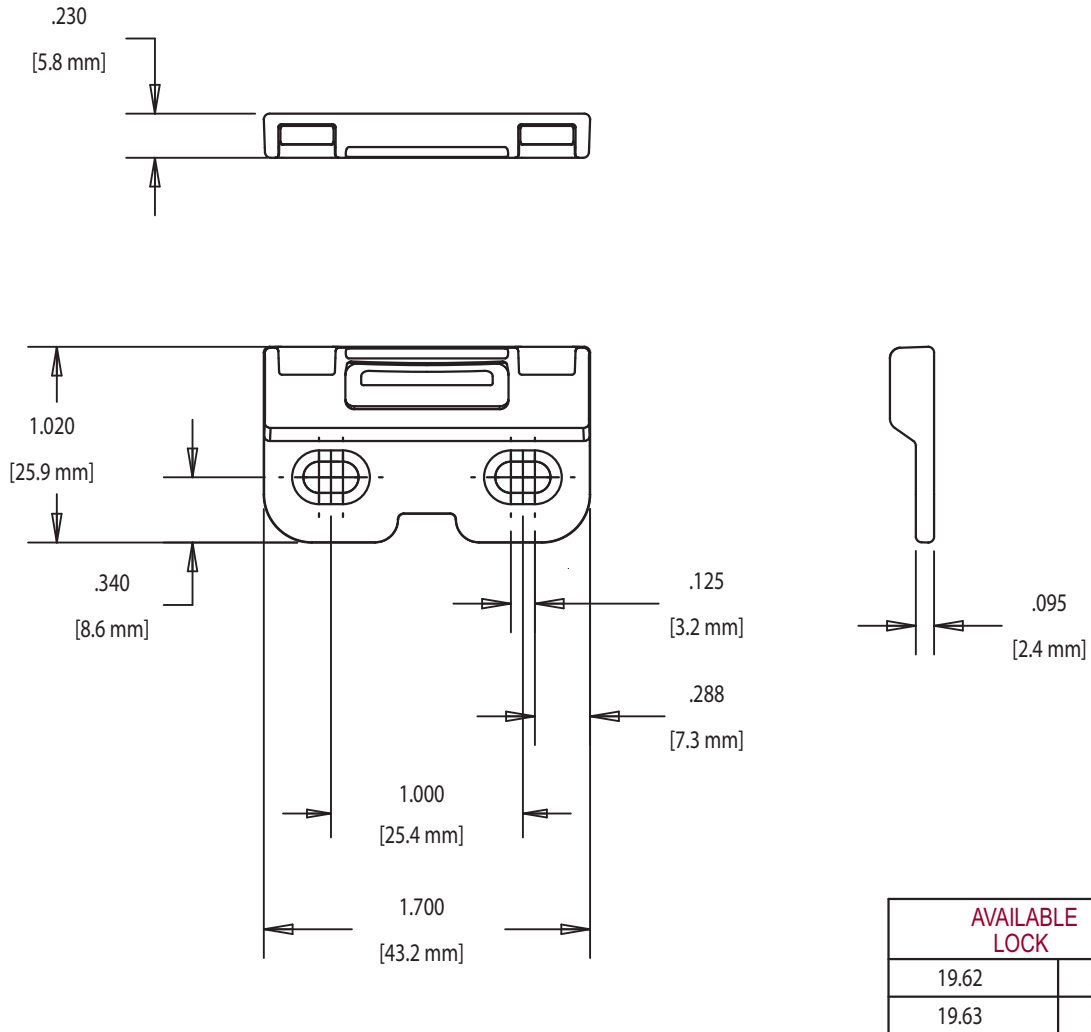
RECOMMENDED SCREWS:

WOOD: #7 PHILLIPS FLAT HEAD SHEET METAL SCREWS (LENGTH TO BE DETERMINED BY PROFILE)

PVC/METAL: #7 PHILLIPS FLAT HEAD SCREWS (LENGTH AND THREAD TYPE TO BE DETERMINED BY PROFILE)

19 POSITIVE ACTION LOCK (PAL SYSTEM)

FIG. 5 45639.XX KEEPER

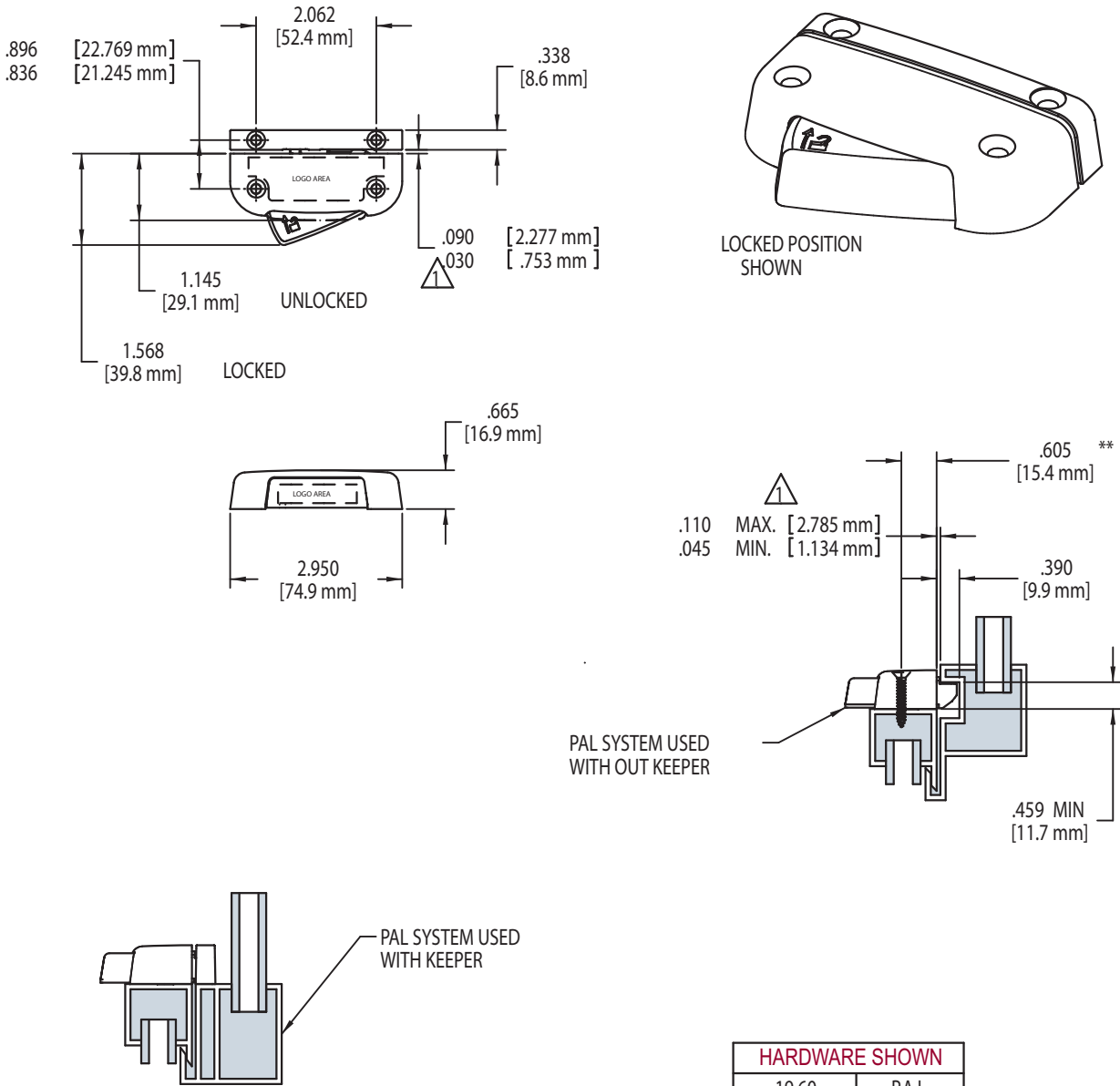


RECOMMENDED SCREWS:

WOOD: #7 PHILLIPS FLAT HEAD SHEET METAL SCREWS
(LENGTH TO BE DETERMINED BY PROFILE)

PVC/METAL: #7 PHILLIPS FLAT HEAD SCREWS (LENGTH
AND THREAD TYPE TO BE DETERMINED BY PROFILE)

FIG. 6 APPLICATION OF 19.60 POSITIVE ACTION LOCK (PAL) SYSTEM



HARDWARE SHOWN	
19.60	P.A.L.
41235.XX	KEEPER

FOR ADDITIONAL KEEPER OPTIONS CONTACT TRUTH

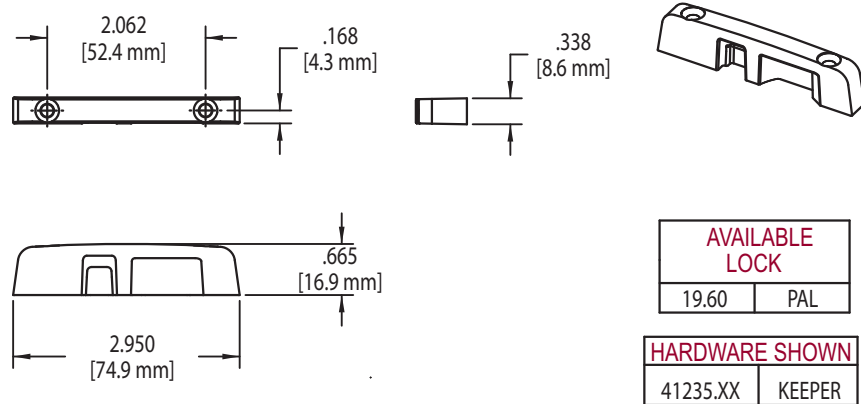
RECOMMENDED SCREWS:

WOOD: (P/N 19160.XX) #7 X 1 1/2 PHILLIPS FLAT HEAD SHEET METAL SCREWS.

PVC/METAL: #7 PHILLIPS FLAT HEAD SCREWS, (LENGTH AND THREAD TYPE TO BE DETERMINED BY PROFILE)

DIMENSIONS MUST BE MAINTAINED FOR PROPER LOCK OPERATION
 ** FOR ACCURATE HARDWARE PLACEMENT PRE-DRILLING IS STRONGLY RECOMMENDED

FIG. 7 41235 KEEPER

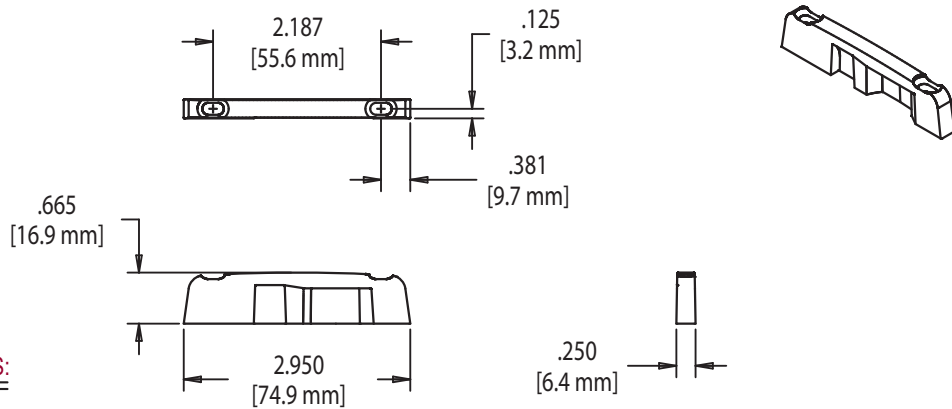


RECOMMENDED SCREWS:

WOOD: (QTY 2) (P/N 19160.XX) #7 X 1 1/2 PHILLIPS
FLAT HEAD SHEET METAL SCREWS

PVC/METAL: #7 PHILLIPS FLAT HEAD SCREWS,
(LENGTH AND THREAD TYPE TO BE
DETERMINED BY PROFILE)

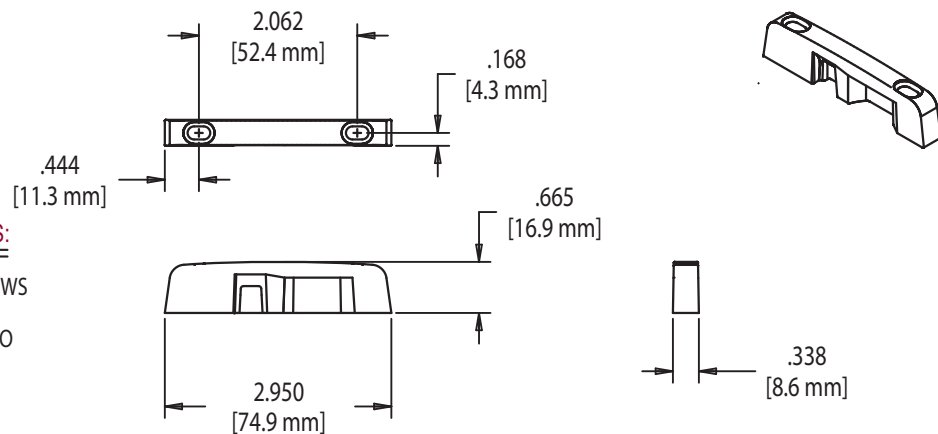
FIG. 8 32780 KEEPER



RECOMMENDED SCREWS:

(QTY 2) #6 SHEET METAL SCREWS
PHILLIPS FLAT HEAD SCREWS.
(LENGTH AND THREAD TYPE TO
BE DETERMINED BY PROFILE)

FIG. 9 41320 KEEPER



RECOMMENDED SCREWS:

(QTY 2) #6 SHEET METAL SCREWS
PHILLIPS FLAT HEAD SCREWS.
(LENGTH AND THREAD TYPE TO
BE DETERMINED BY PROFILE)

Appropriately named the Fusion™ System, Truth Hardware has successfully merged two separate pieces of window hardware into one completely revolutionary system. Truth has designed a system where the tilt latches are hidden beneath the check rail and are actuated by the same lever as the lock. With just one hand, the homeowner can unlock the window and release the tilt latches. The Fusion system is loaded with features at a very affordable price.

TRUTH'S FUSION IS ALL ABOUT VERSATILITY

The Fusion System is designed to give you choices. First, both tilt latches are actuated by a single lock/tilt latch mechanism. This mechanism can be located anywhere on the check rail, so if you prefer to use more than one lock on the rail, you have the option of adding a matching sash lock.

With the Fusion system you won't have to stock complete locks in all your different color offerings. There is a standard base assembly that screws into your check rail. Using Truth's patented technology, the stylish housing and lever assembly securely attaches to the base allowing you to efficiently manage your inventory. This "fastenerless" cover design gives the window a cleaner appearance than other checkrail options and also allows for easy removal of the hardware to make it more convenient to paint or stain the window following its installation.

Perhaps the most impressive feature of this system is that it can be used on any-sized window because you cut the connecting strap to its appropriate length after the hardware is installed in the window. What could be easier?

FEATURES & BENEFITS:

- Available with trigger actuated latches - prevents marring wood when windows are tilted back in. Latches without triggers used primarily in vinyl window applications, are also available.
- Lock and tilt latch release are actuated by one mechanism - allows you the option of using either single or multiple locks on the window.
- Pick-resistant base plate increases security.



Fusion System (locked)



Tilt Latches (Vinyl Application)



Tilt Latches (Wood Application)

- Latches are hidden into the checkrail - Lets your customer see more of the beauty of your window, rather than the hardware.
- Totally adjustable to any size window - You cut the connecting strap to the desired length after hardware is installed in the window.
- Non-handed latches - Less inventory costs and less hassle on the production line.
- Housing assembly is separate from base - Increases inventory efficiencies by only having to inventory the housing in different colors or finishes - not the entire locking system.
- Stylish fastenerless housing - Makes it easy to remove for staining or finishing.
- Easy, intuitive one-handed operation.
- Corrosion Resistant - Composite construction provides a corrosion resistant system.

LOGO OPTIONS:

You can personalize the Fusion Lock with your logo. Truth's pad printing

process is a great way to highlight your company's identity.

WARRANTY:

Protected under the terms of the Truth Warranty for Window & Door Manufacturers and Authorized Distributors. Refer to Truth's Terms & Conditions for further details.

MATERIAL:

Housing assembly is powder coated diecast zinc. The lock base and latch assemblies are of a composite construction consisting of engineered plastics, zinc and stainless steel. The latch assembly and lock assembly are tied together by a corrosion resistant strap.

FINISH:

Electrostatically applied, durable coatings that provide excellent resistance to chipping, scratching and corrosion while maintaining color stability for years in direct sunlight. Please refer to Truth's color chart for examples of Truth's most

popular finish options. Truth also offers a wide range of decorative “plated” finishes - contact Truth for additional information on availability of these finishes on specific product lines.

ORDERING INFORMATION:

Order the Fusion System by individual components:

#19.70.XX.100 - Housing/Lever Assembly

#19.71.00.100 - Lock Base

- Wood Window Application
 - **#12617** - Latch with trigger
 - **#12743** - Latch without trigger
- Vinyl Window Application
 - **#12744** - Bolt location "A"
 - **#12745** - Bolt location "C"

Note: Latches with variable trigger lengths available. Contact Truth for additional information.

Latches (2 required)

#22196 - Strap (24,000 foot roll)

#41333.XX - Keeper, or

#42059.XX - Keeper

OPTIONAL:

#19.73.XX.100 - Secondary Housing/Lever Assembly

#19.72.00.100 - Secondary Lock Base

Required Tools for connecting the strap (Not included):

Two 1/16" Allen Wrenches

RECOMMENDED SCREWS:

Base: 2 - #8 Pan head screws

Keeper: 2 - #8 Flat head screws

Latches: 2 -#6 Flat head

Types of screws required determined by material of profile used. Refer to drawings for complete information on screw type and quantity needed (sold separately). For additional information on screw selection - see Truth Tips.

TRUTH TIPS:

1. When two locks are used on one window, the placement of each lock, with respect to its keeper, becomes very critical to maintain a constant weather seal on all sides of the window and to insure that each lock engages properly with its keeper.

2. For vinyl window applications, mounting screws should pass through two PVC walls, or one PVC wall and one insert wall

INCLUDE TRUTH SPECS ON YOUR NEXT WINDOW PROJECT

Recess mounted check rail lock whose lever activates the enclosed tilt latches shall be included which will increase security and weather seal tightness. The lock must provide easy operation and provide a pick resistant base plate which protects the cam thus providing increased security.

Window check rail locks will be of internal cam design to provide optimum pull-in to aid in sealing the meeting rails.

Window locks and tilt latches will be 19 Series Fusion System as manufactured by Truth Hardware.

FIG. 1 FUSION SNAP LOCK FOR WOOD AND VINYL APPLICATIONS

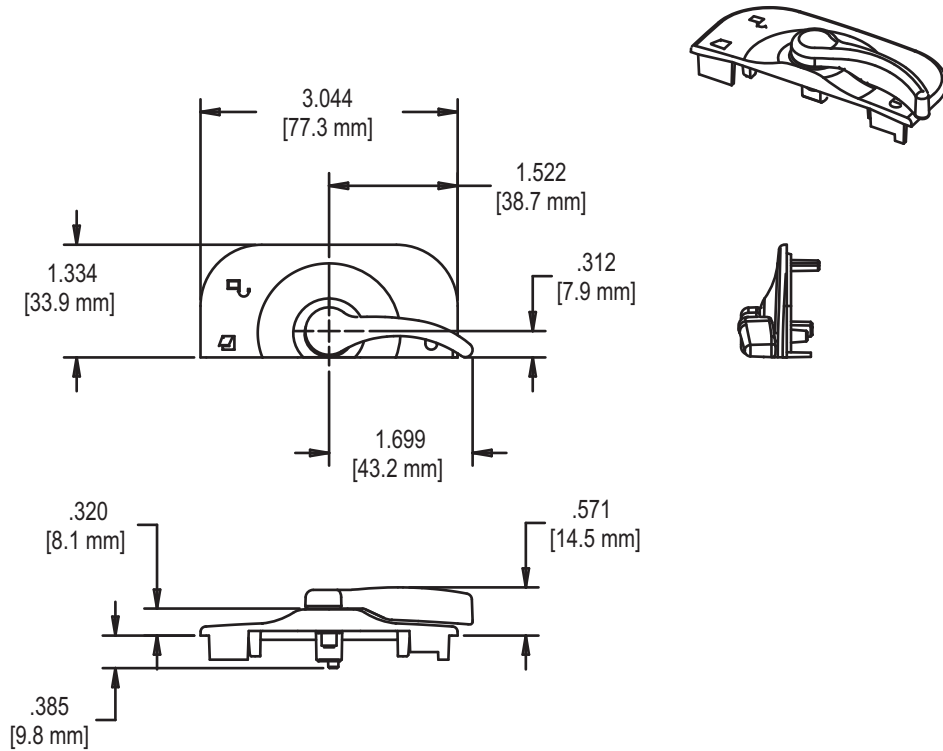
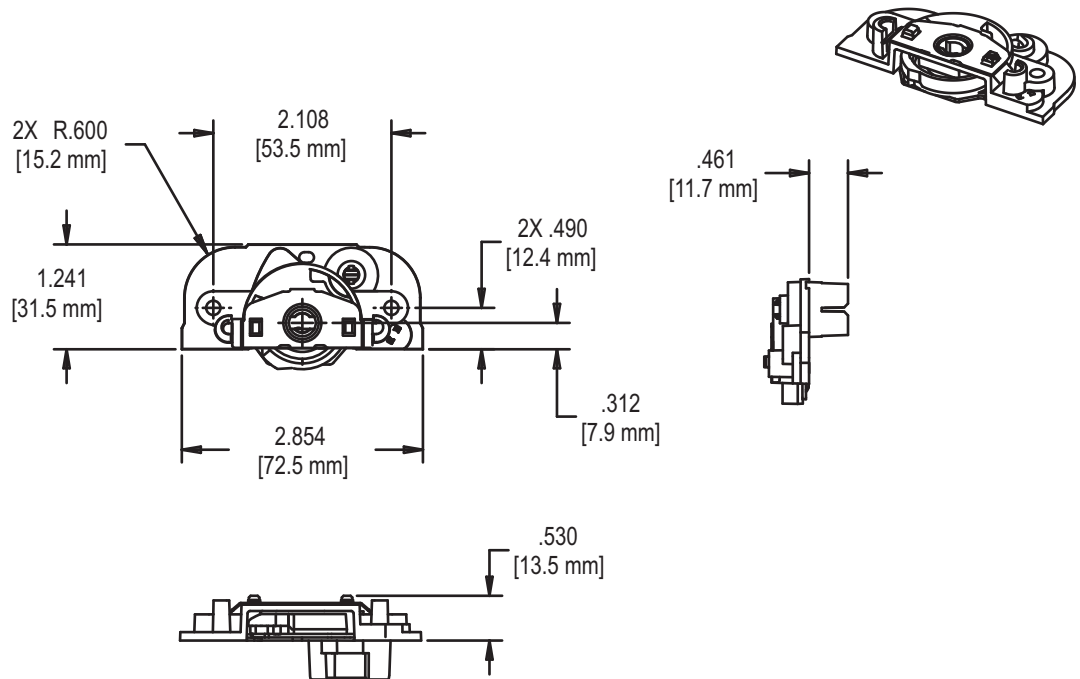


FIG. 2 19.71.00.100 BASE FOR WOOD AND VINYL APPLICATIONS



RECOMMENDED SCREWS:

(QTY 2)#8 PAN HEAD SCREWS (LENGTH AND THREAD TYPE DETERMINED BY PROFILE)

FIG. 3 FUSION LOCK ASSEMBLY FOR WOOD APPLICATION

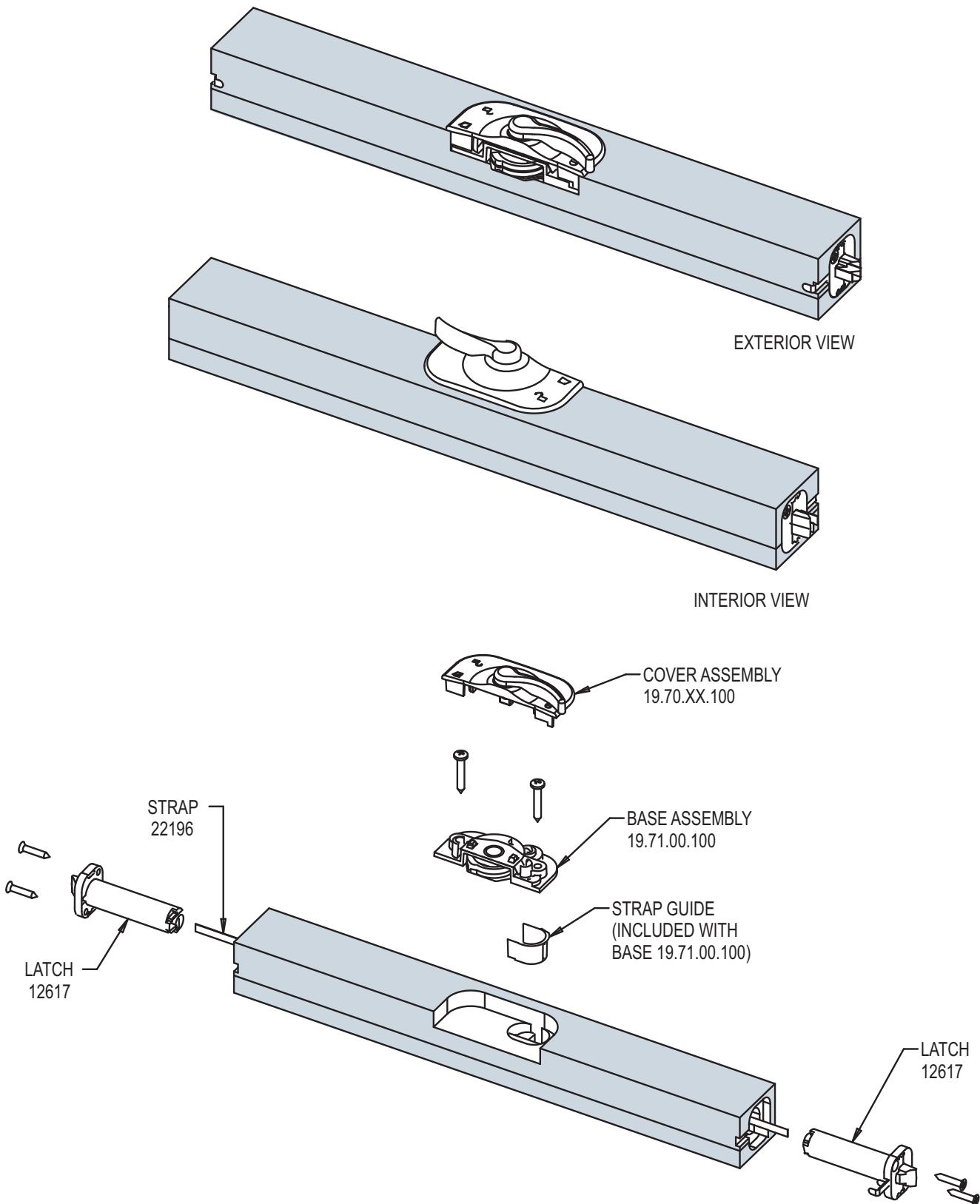


FIG. 4 FUSION KEEPER ASSEMBLY FOR WOOD APPLICATION

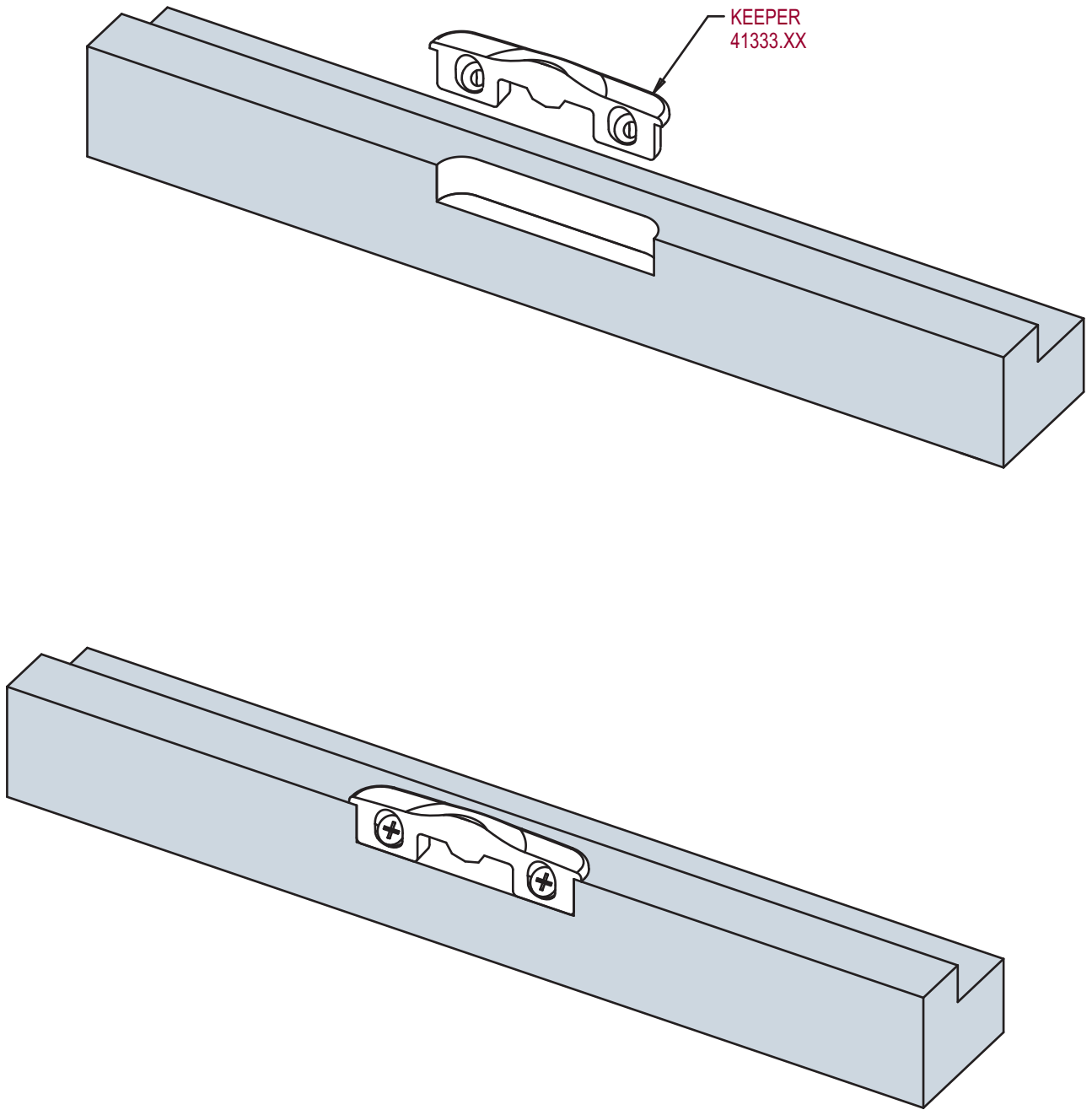


FIG. 5 FUSION LOCK APPLICATION FOR WOOD APPLICATIONS

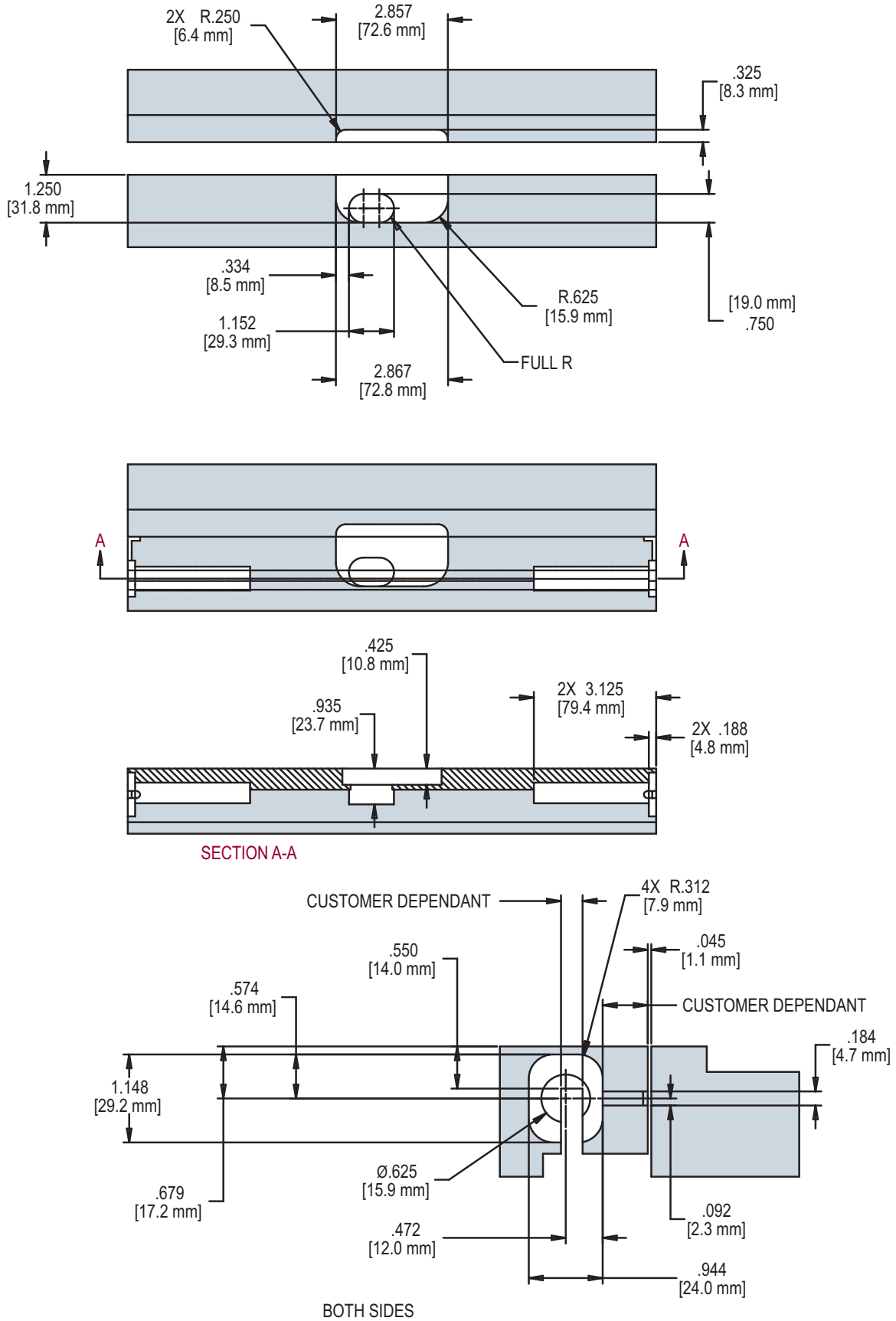
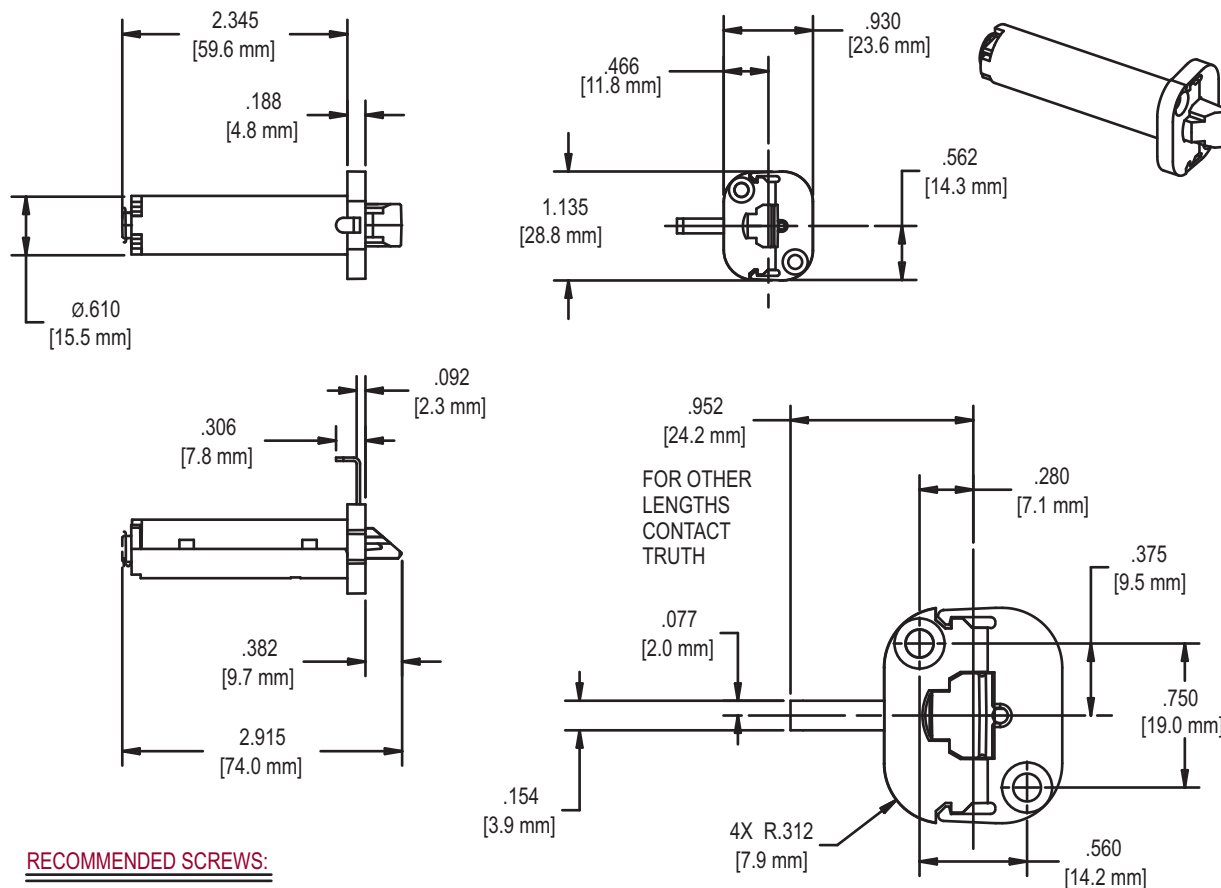


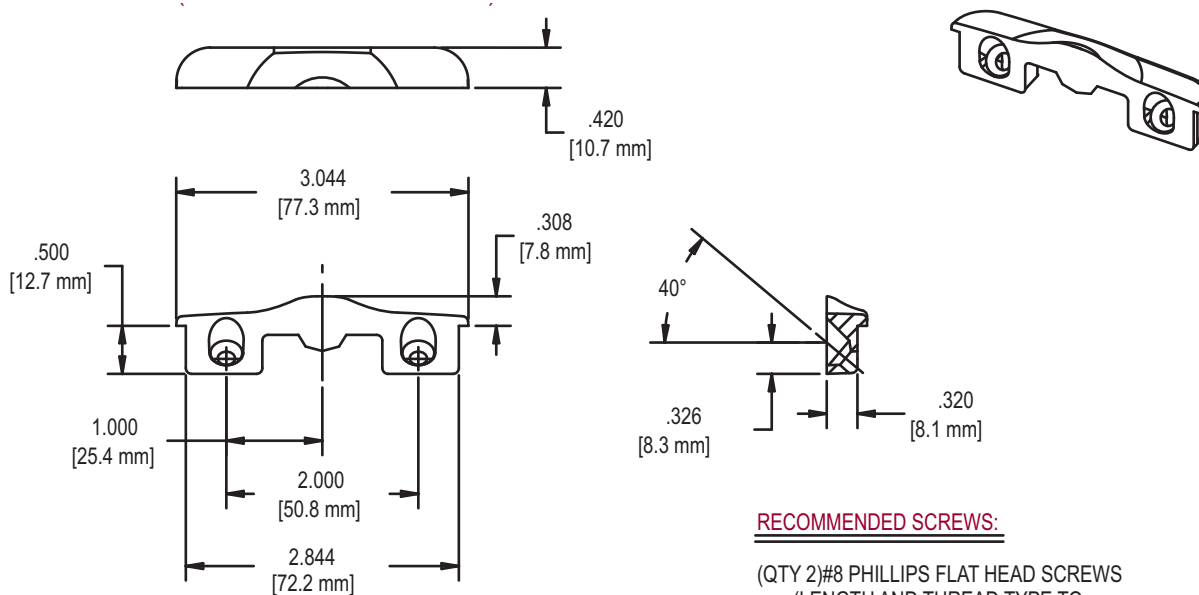
FIG. 6 FUSION LATCH 12617 (FOR WOOD APPLICATIONS)



RECOMMENDED SCREWS:

(QTY 2) #4, #5, or #6 PHILLIPS FLAT HEAD SCREWS
(LENGTH AND THREAD TYPE TO BE DETERMINED BY PROFILE)

FIG. 7 KEEPER 41333 (FOR WOOD APPLICATIONS)



CONTACT TRUTH FOR OTHER OPTIONS

RECOMMENDED SCREWS:

(QTY 2) #8 PHILLIPS FLAT HEAD SCREWS
(LENGTH AND THREAD TYPE TO BE DETERMINED BY PROFILE)

FIG. 8 FUSION LOCK ASSEMBLY (FOR VINYL APPLICATIONS)

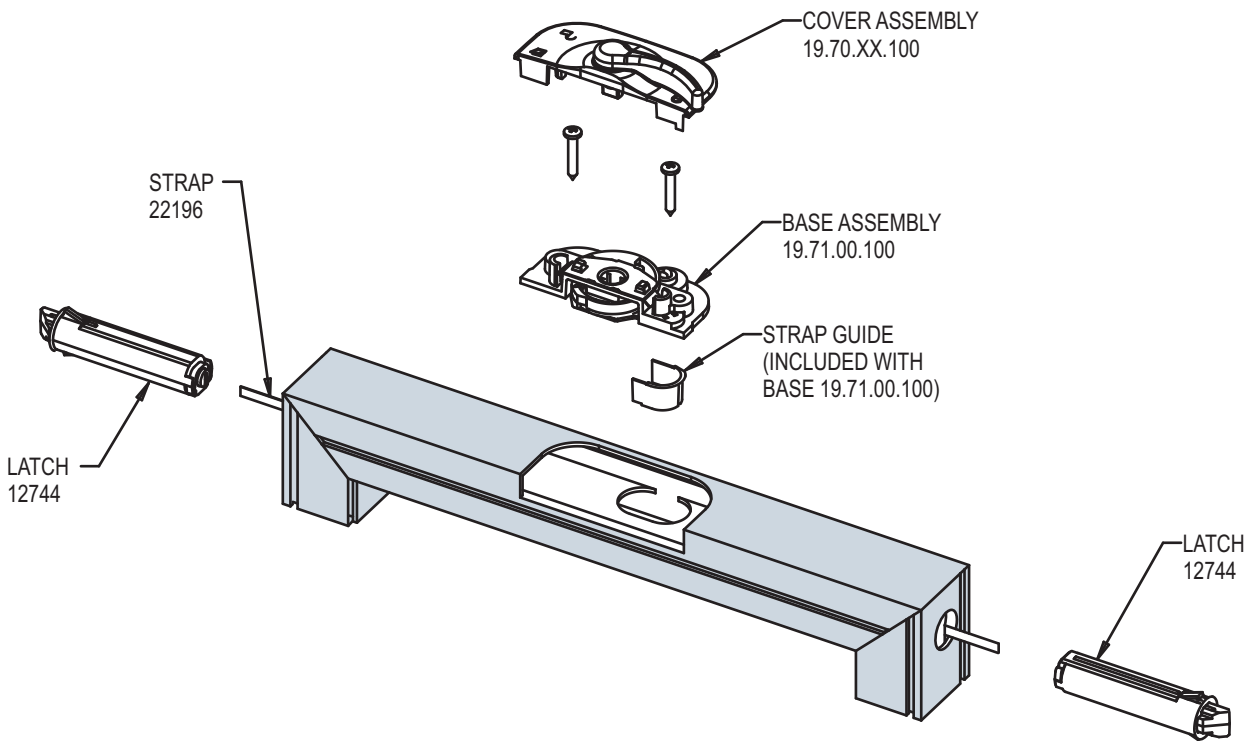
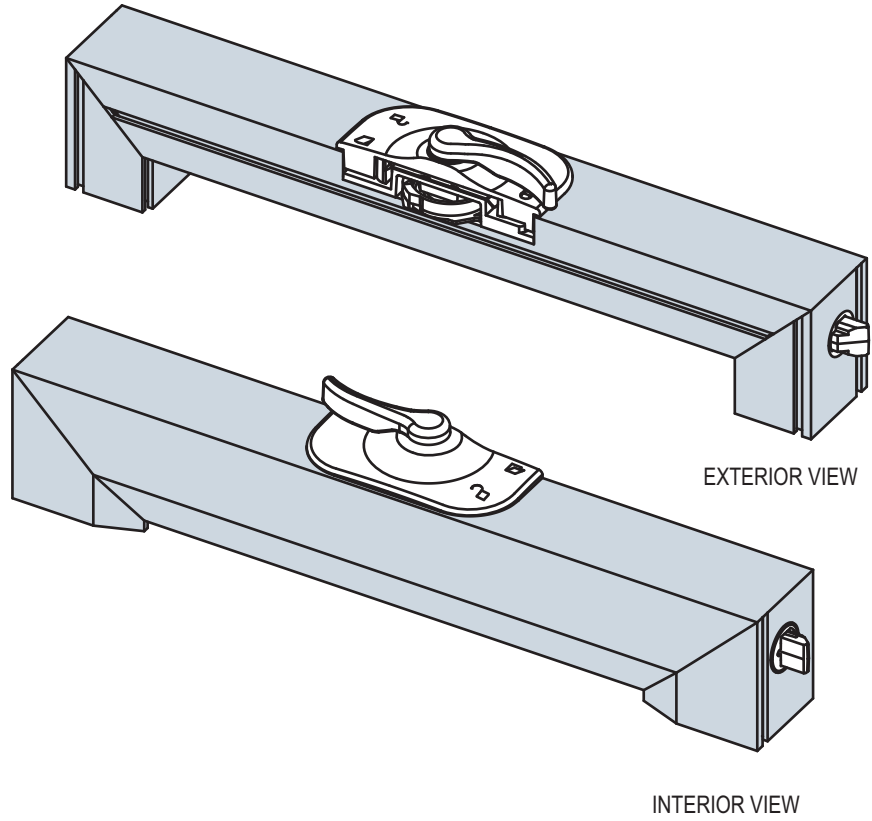


FIG. 9 FUSION KEEPER ASSEMBLY (FOR VINYL APPLICATIONS)

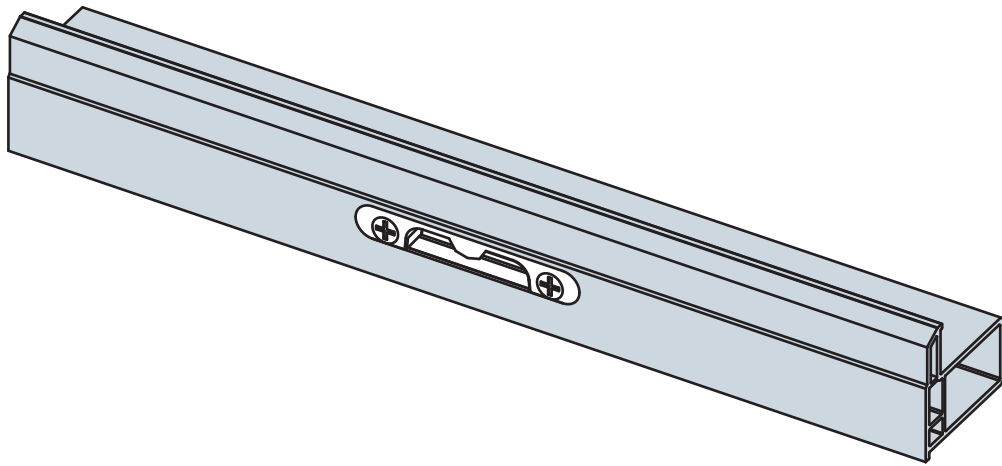
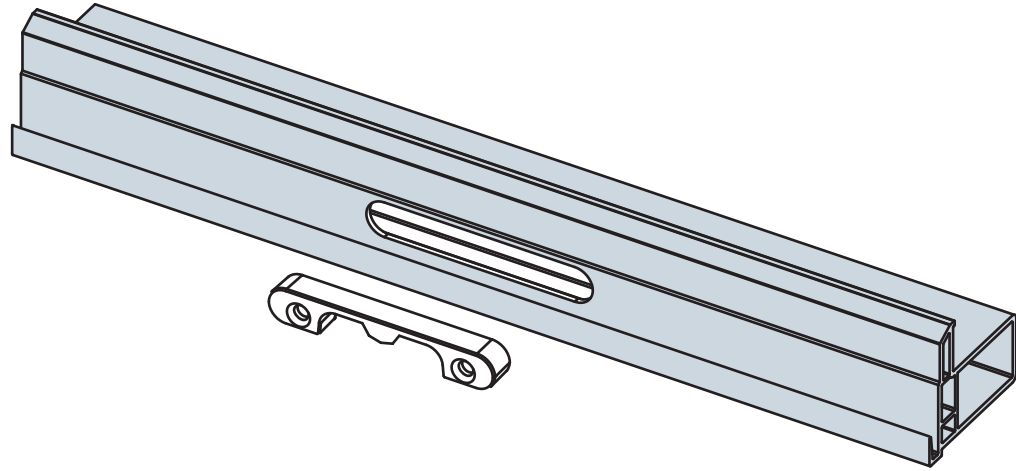


FIG. 10 FUSION KEEPER APPLICATION (FOR VINYL WINDOW APPLICATIONS)

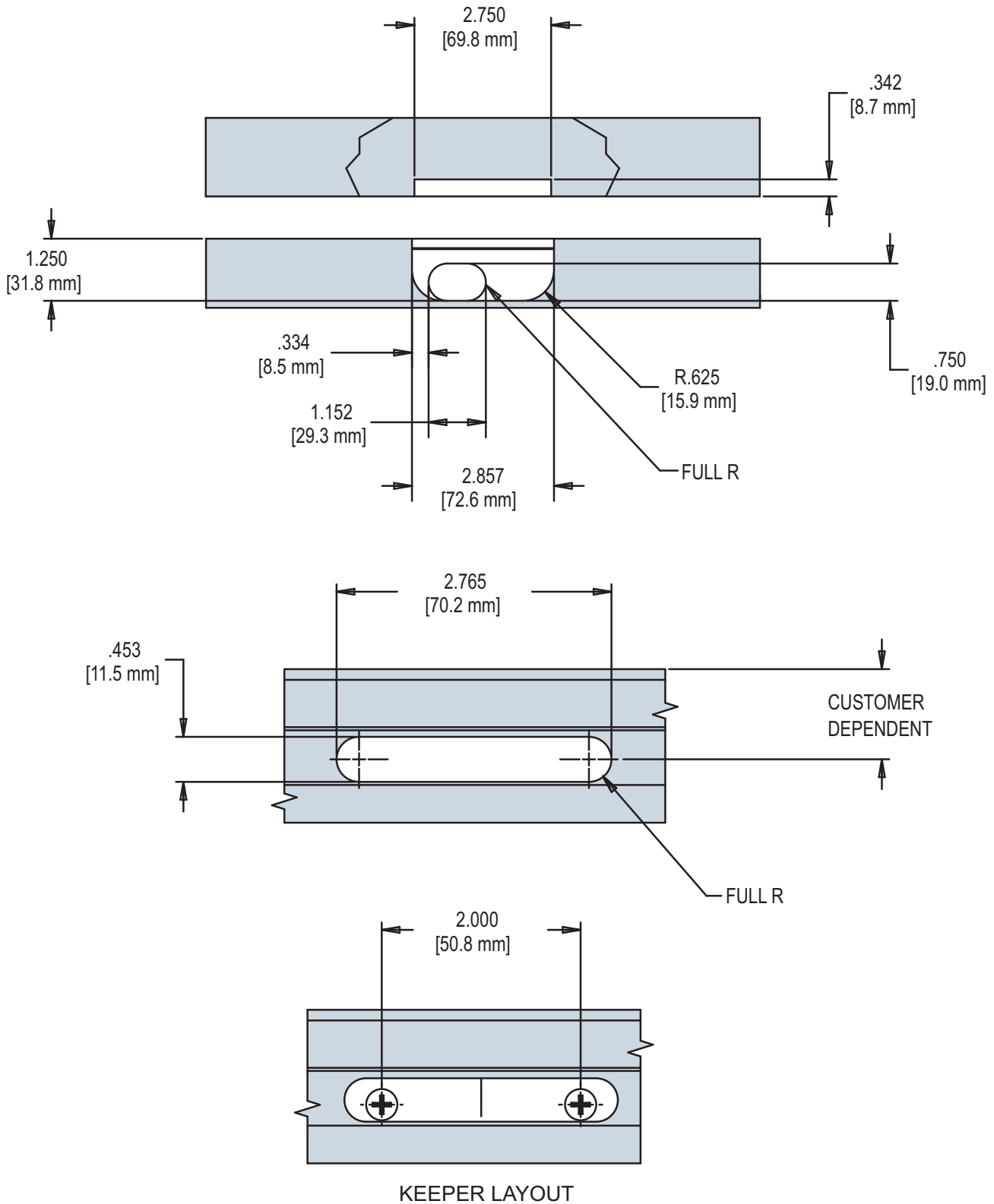
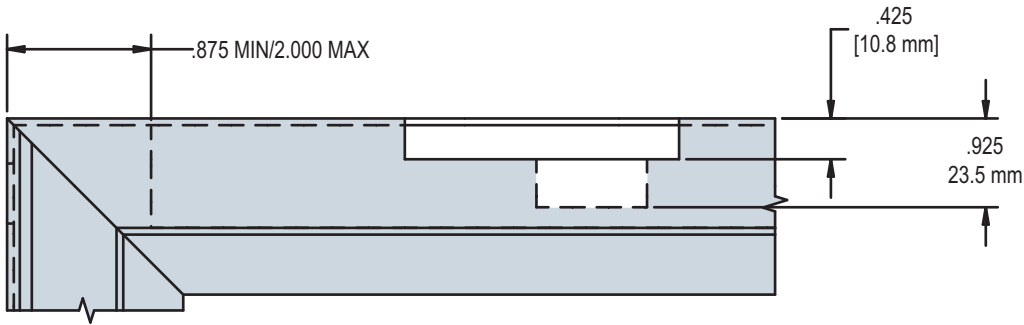
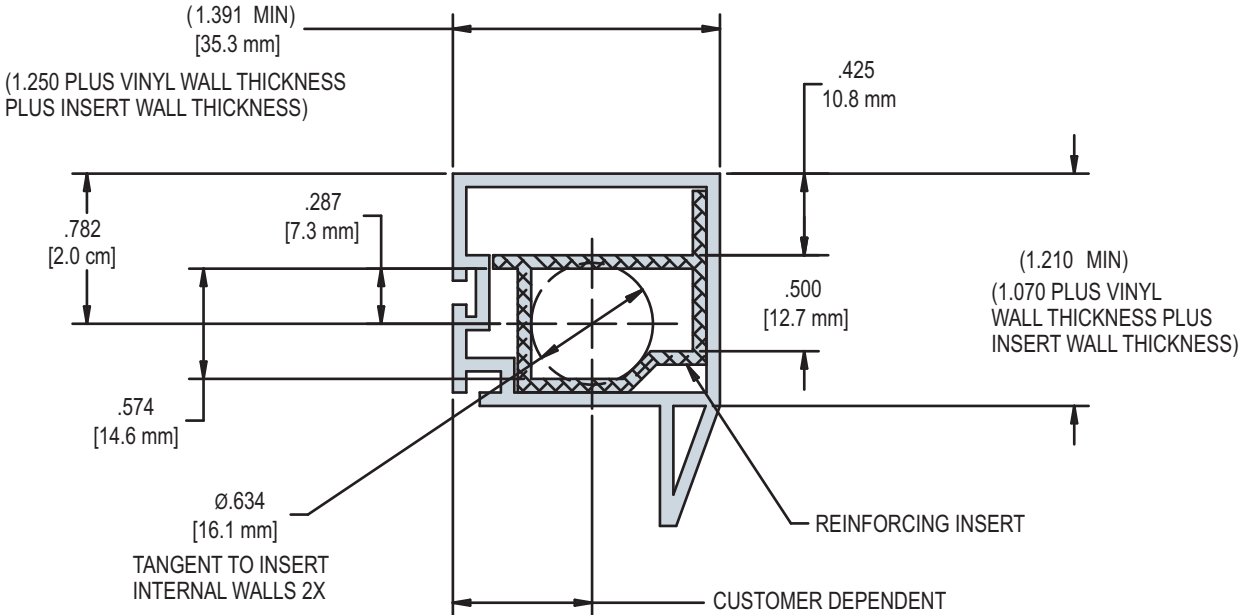


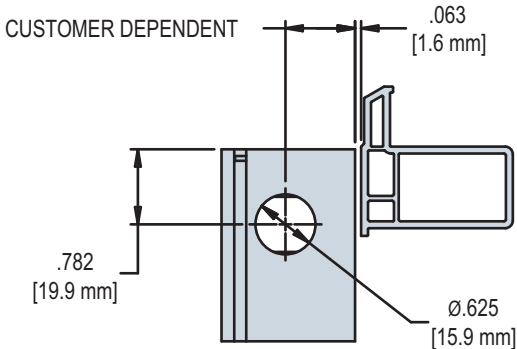
FIG. 11 FUSION APPLICATION FOR VINYL WINDOWS WITH INSERTS



REINFORCING INSERT POSITIONING



TOP LOCK RAIL WITH INSERT



15k



HARMONY SYSTEM

Building on the popularity we received on our award-winning Fusion™ System, Truth Hardware has now embarked on the next generation combination lock and tilt latch system named, the Harmony™ System. Aptly named, as this system beautifully integrates the check rail lock and tilt latch together in a manner which creates a new level of installation ease.

INTEGRATED TECHNOLOGY

The Harmony System has been designed to allow the homeowner to activate the lock and tilt latches with the same device. By simply manipulating the lever on one lock, an individual can both lock or unlock their window, and activate the tilt latches to pivot the sash to allow for ease of cleaning. Manufacturers will appreciate the ease of installation - you just snap in the tilt latch, screw down the lock and you are good to go. The Harmony system even self-locates for you!

TILT LATCHES OFFERED IN TWO VERSIONS – The Standard Harmony Latch and the new Harmony 7 Latch.

The Standard Harmony latch version should be considered when there is an existing reinforcement surface for mounting or if the internal reinforcement can be modified. If this is not the case, then the Harmony 7 Latch version is the better choice.

FEATURES & BENEFITS

- Lock and tilt latch release are actuated by one mechanism
- Quick and easy assembly
- Self locating features in lock and latch!
- Latches are hidden within the checkrail, thus producing cleaner site lines on the window.
- Simple routing for lock and latch
- Detents and icons indicate lock/unlock/tilt positions
- Harmony 7 latches are color coded for quick identification of correct hand
- Matching, non-actuating lock assembly available for applications where you don't want an integrated lock/latch!



Harmony System (locked)



Harmony System (unlocked)



Harmony System (tilt latch retracted)

LOGO OPTIONS

You can personalize the Harmony System with your logo. Truth's pad printing process is a great way to highlight your company's identity and reinforce your brand in the marketplace.

WARRANTY

Protected under the terms of the Truth Warranty for Window & Door Manufacturers and Authorized Distributors. Refer to Truth's Terms & Conditions for further details.

MATERIAL

Housing assembly is powder coated diecast zinc. Latch assemblies are of a composite construction consisting of engineered plastics and stainless steel, or SST wire.

FINISH

Electrostatically applied, durable coatings that provide excellent resistance to chipping, scratching and corrosion resistance while maintaining color stability for years in direct sunlight.

Please refer to Truth's color chart for examples of Truth's most popular finish options. Truth also offers a wide range of decorative "plated" finishes – contact Truth for additional information on availability of these finishes on specific product lines.

ORDERING INFORMATION

Order the Harmony System by individual components:

LOCKS: (same lock used for either Harmony or Harmony 7 applications)
 # 19.77.XX.010 – Housing/Lever LH Lock assembly
 # 19.77.XX.020 – Housing/Lever RH Lock assembly
 # 19.78.XX.010 – Housing/Lever Assembly – Passive (for use on applications without integrated latch)

KEEPERS: (same keeper used for either Harmony of Harmony 7 applications – see drawings for available keeper designs)

45678.XX Keeper

42052.XX Keeper

45674.XX Keeper

33676.XX Keeper

45686.XX Keeper (special to Trustgard window design)

LATCHES (Standard Harmony Latches)

14222 – Standard Harmony Latch assembly (LH)

14223 – Standard Harmony Latch assembly (RH)

14306 – Standard Harmony Latch assembly with offset (LH)

14307 – Standard Harmony Latch assembly with offset (RH)

The following Tilt Latches require

45683 – Cage (purchased separately):

(Harmony 7 latches)

14321 – 5” Tilt Latch (LH)

14322 – 5” Tilt Latch (RH)

14323 – 7” Tilt Latch (LH)

14324 – 7” Tilt Latch (RH)

14325 – 9” Tilt Latch (LH)

14326 – 9” Tilt Latch (RH)

RECOMMENDED SCREWS (sold separately)

4 - # 6 Phillips Flat Head Screws (Length and thread type to be determined by profile). For additional information on screw selection – see Truth Tips.

TRUTH TIPS

1. When two locks are used on one window, the placement of each lock, with respect to its keeper, becomes very critical to maintain a consistent weather seal on all sides of the window and to insure that each lock engages properly with its keeper.

2. For vinyl window applications, mounting screws should pass through two PVC walls or one PVC Wall and one insert wall.

FIG. 1 19.77.XX.020 RH LOCK SHOWN (19.77.XX.010 LH LOCK)

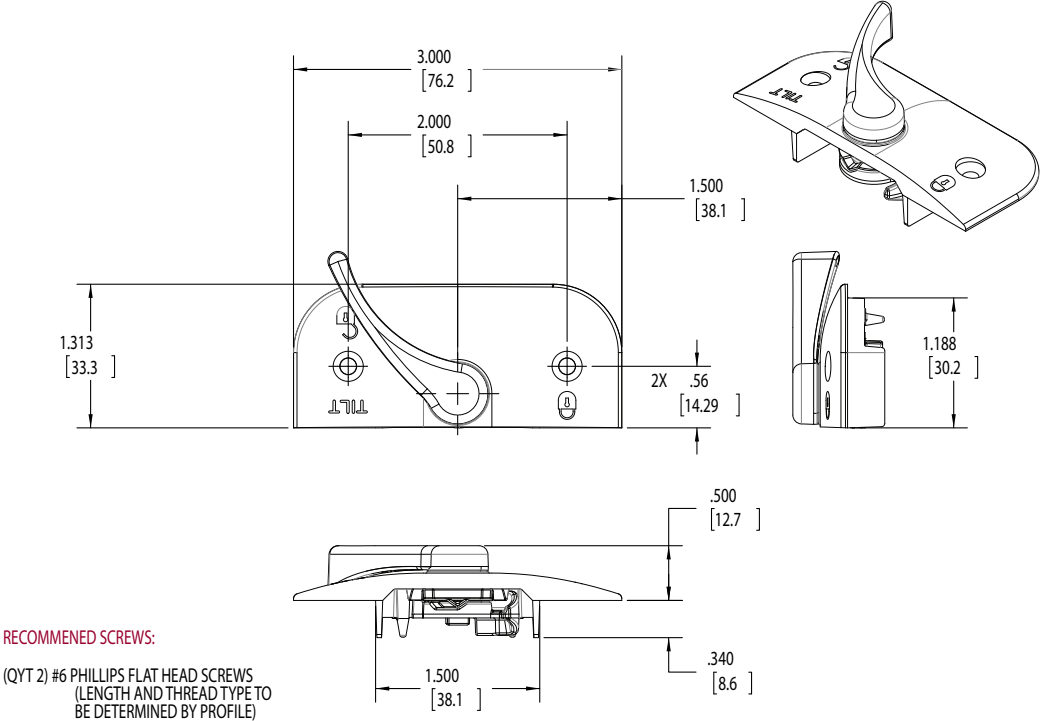


FIG. 2 19.78.XX.010 LH LOCK PASSIVE SHOWN

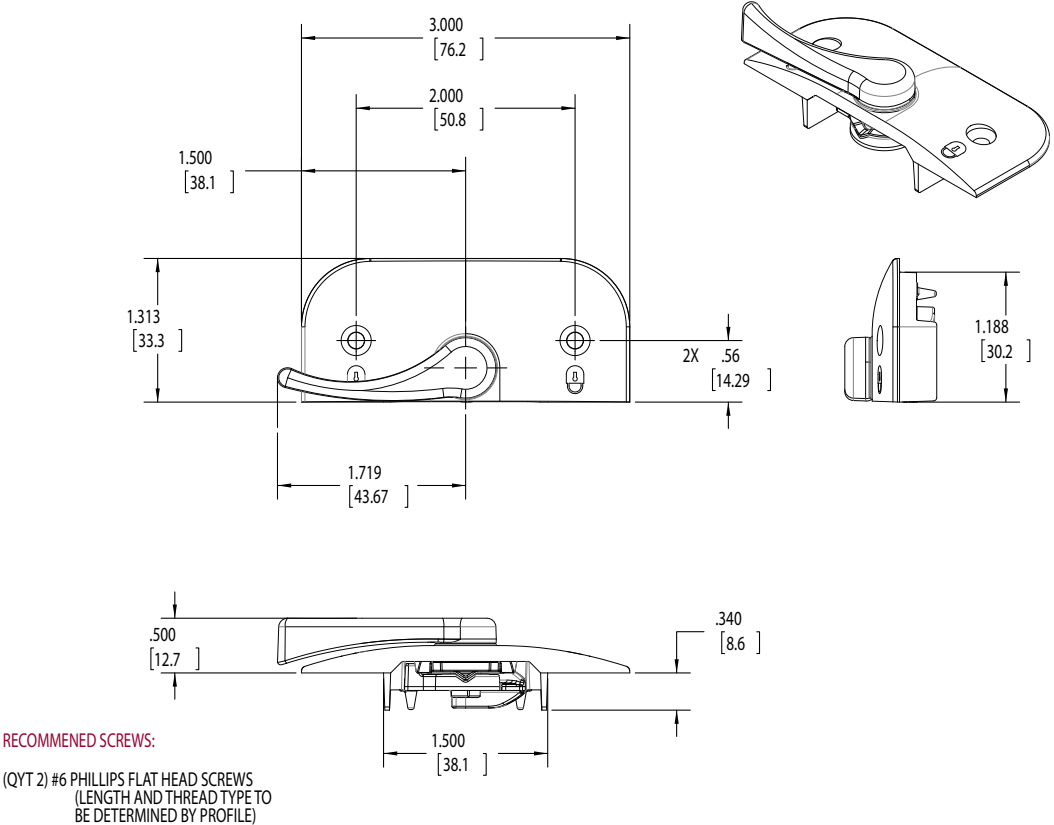


FIG. 3 LH LATCH 14222 SHOWN (RH LATCH IS 14223)

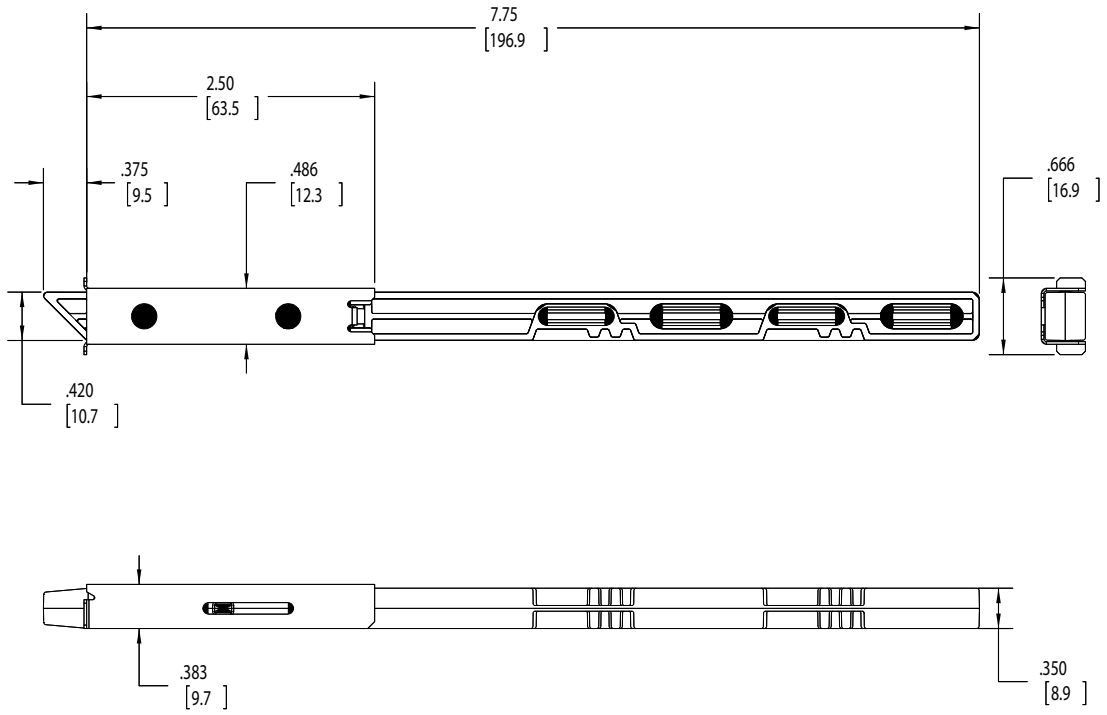


FIG. 4 LH LATCH 14306 SHOWN (RH LATCH IS 14307)

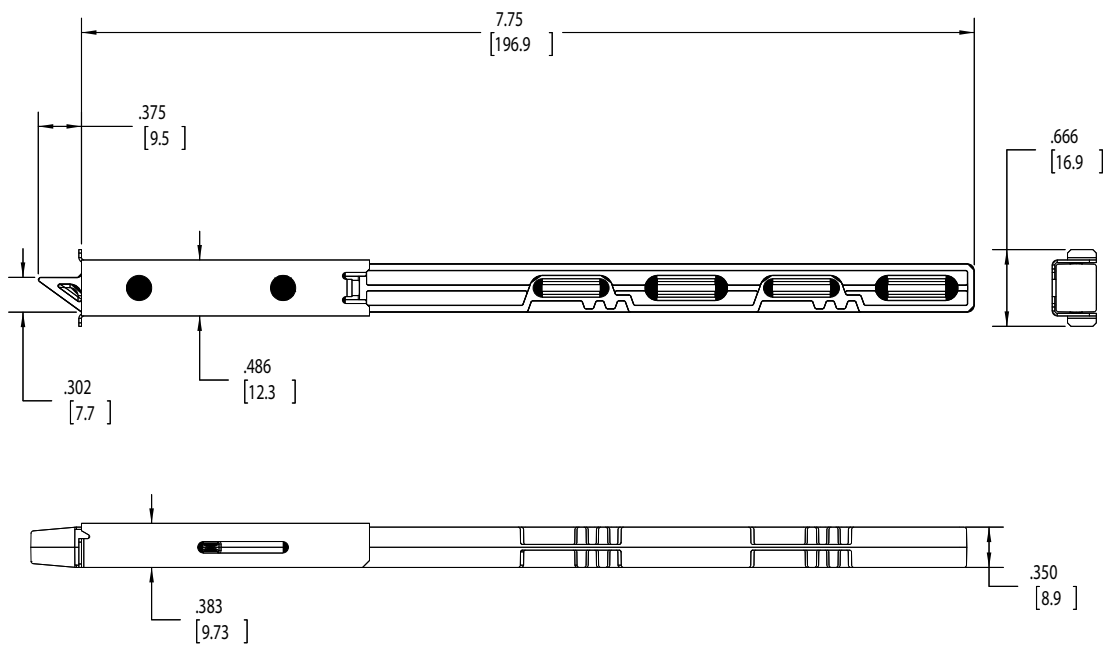


FIG. 5 19.77.XX.010 AND 19.77.XX.020 LOCK ASSEMBLY TO STANDARD HARMONY LATCHES

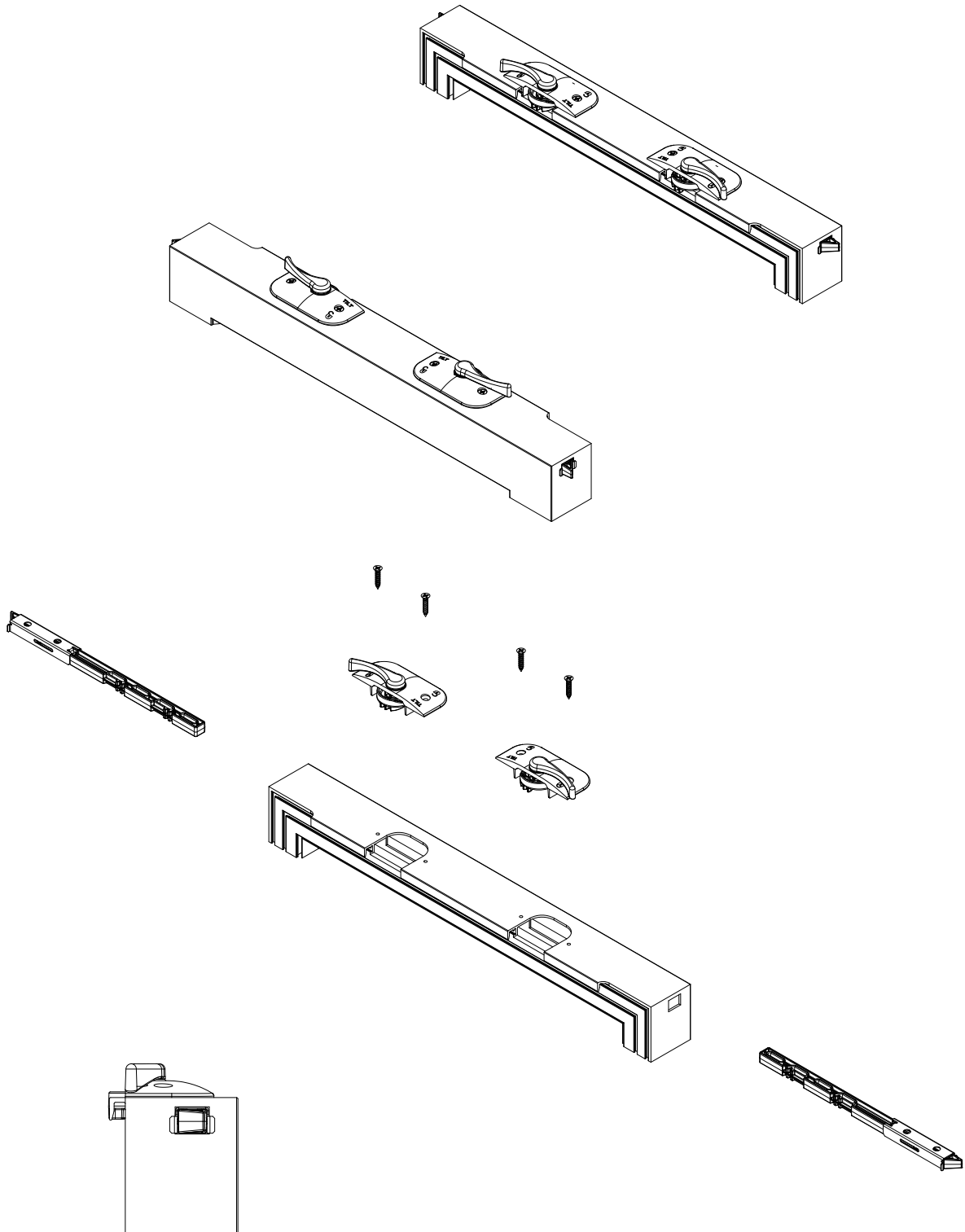
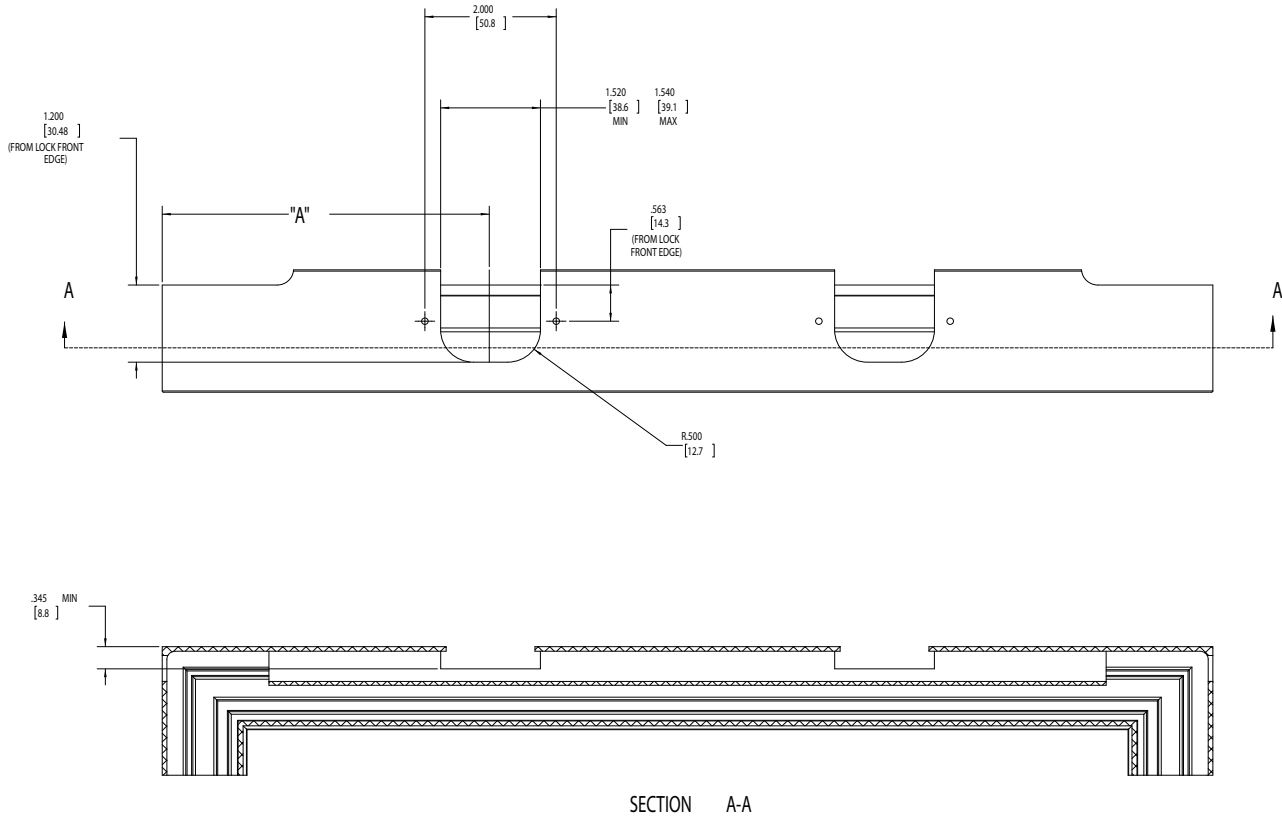


FIG. 6 19.77.XX.010 LOCK APPLICATION



"A"
5.000" (127.0mm)
7.000" (177.8mm)

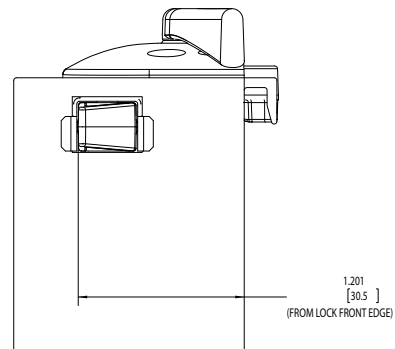
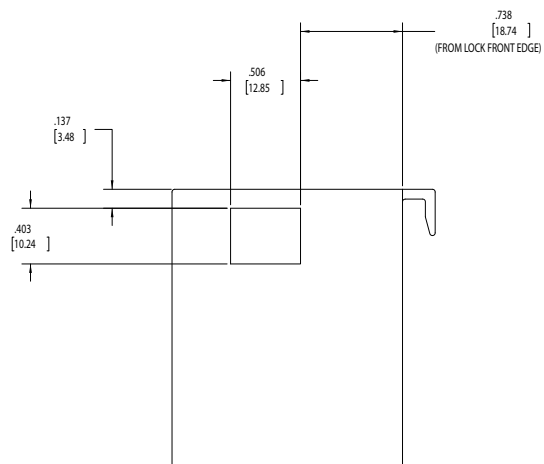


FIG. 7 19.77.XX.020 RH LOCK SHOWN (19.77.010 LH LOCK)

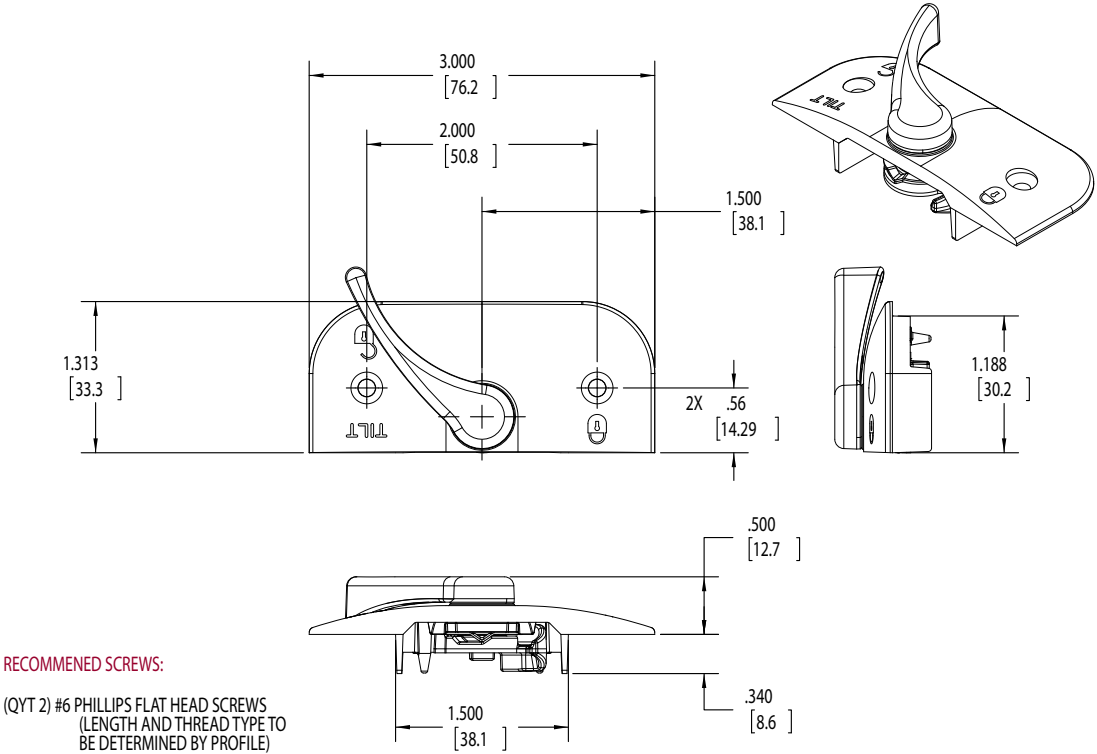


FIG. 8 19.78.XX.010 LH LOCK PASSIVE SHOWN

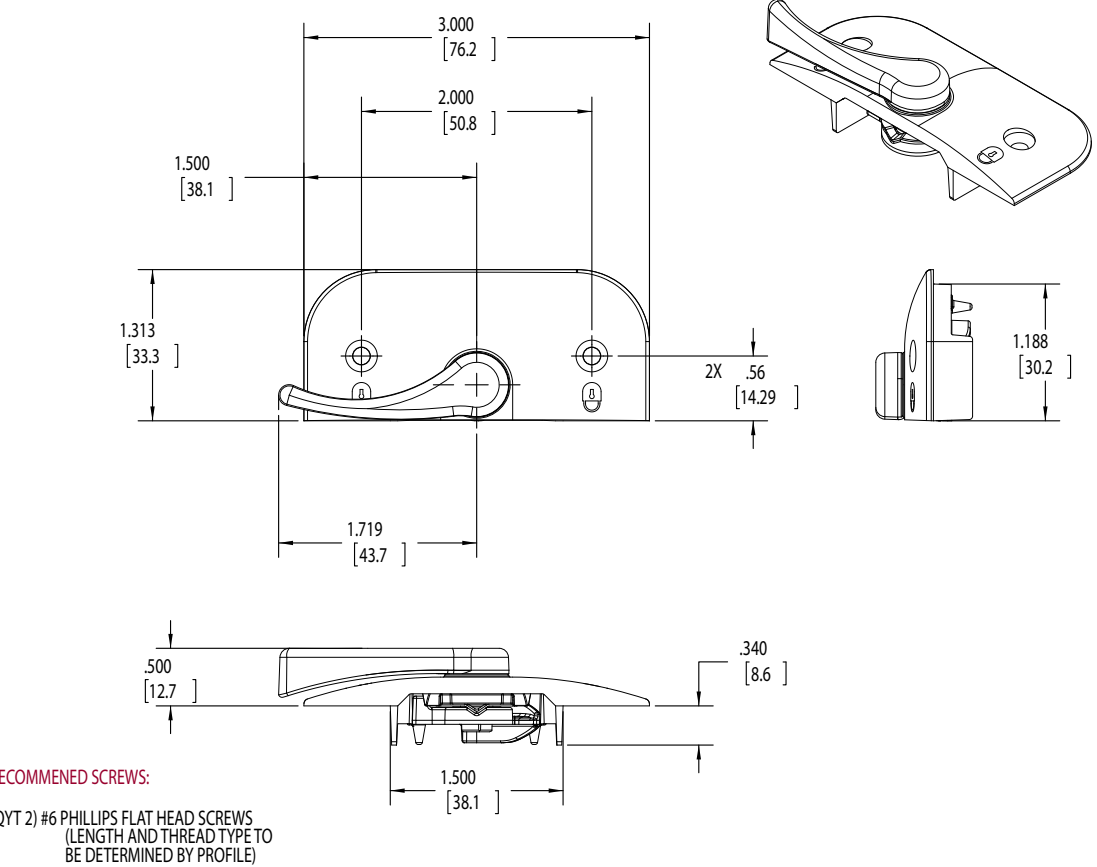


FIG. 9 5" LATCH 14321 SHOWN (5" RH LATCH IS 14322)

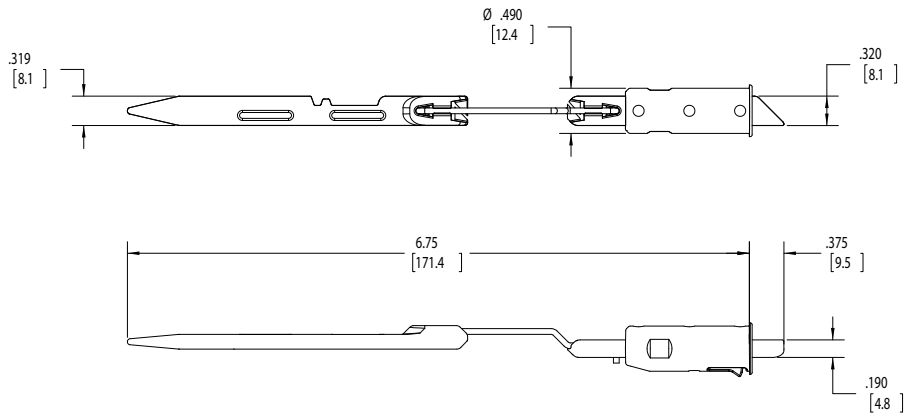


FIG. 10 7" 14323 LH SHOWN (7" RH LATCH 14324)

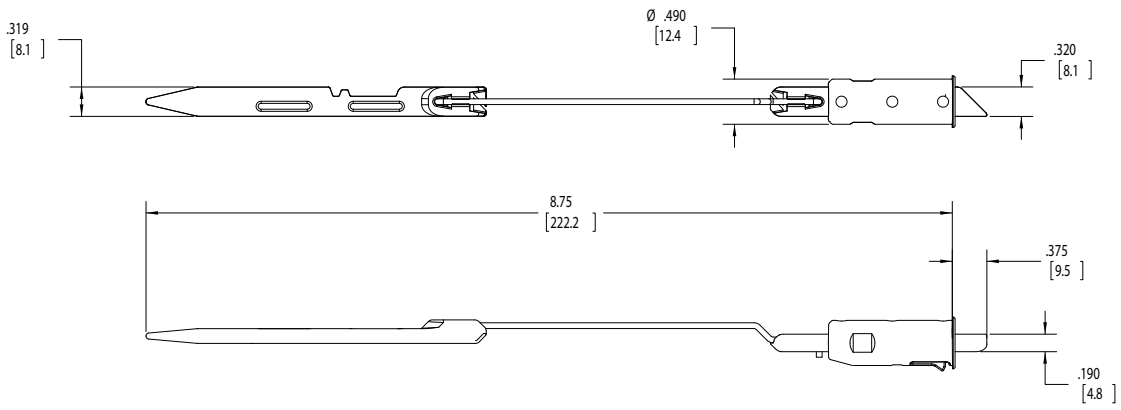


FIG. 11 9" LH 14325 SHOWN (9" RH LATCH 14326)

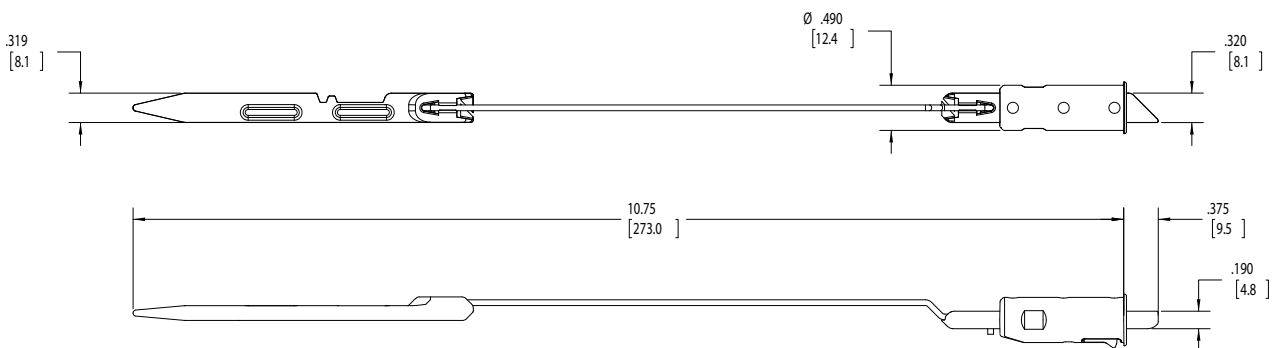


FIG. 12 45683 CAGE

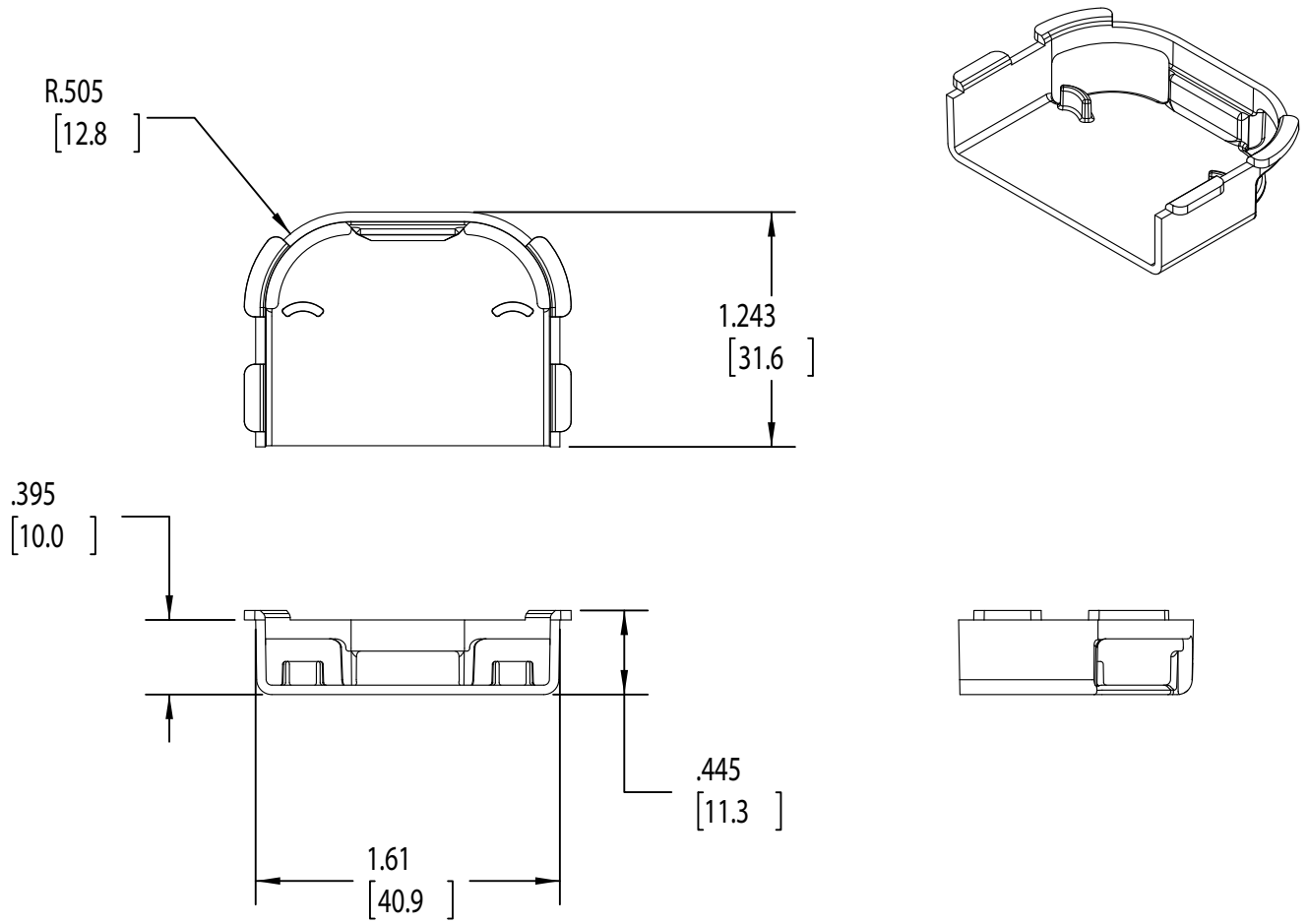


FIG. 13 19.77.XX.010 AND 19.77.XX.020 LOCK ASSEMBLY TO HARMONY 7 LOCK LATCHES

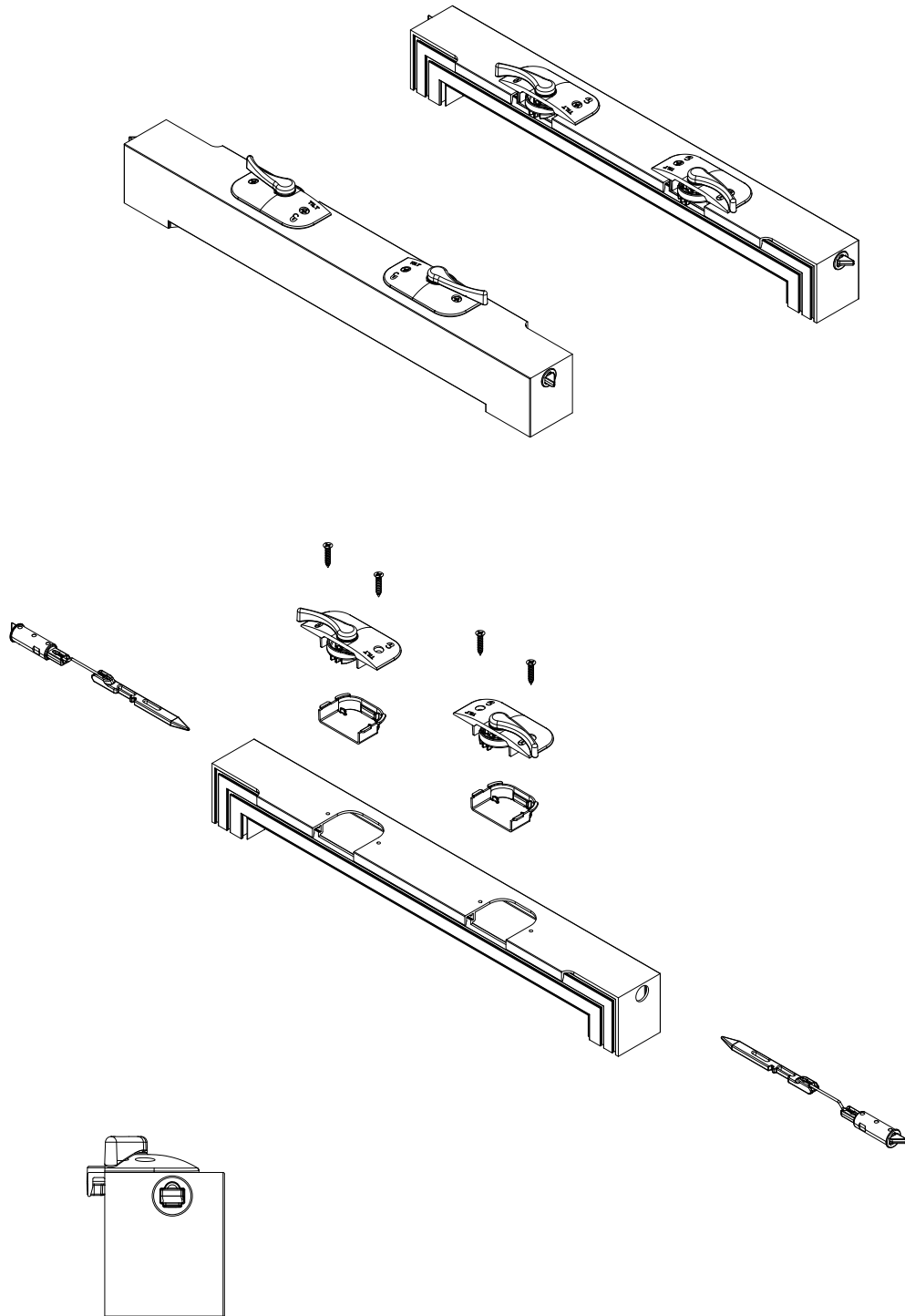
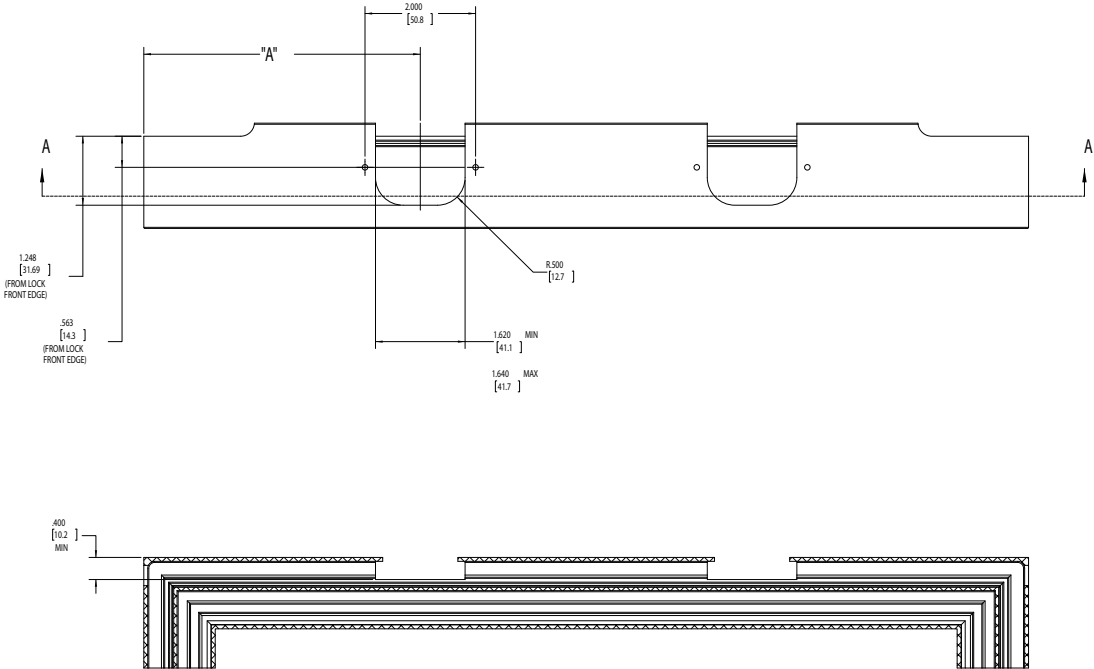


FIG. 14 19.77 HARMONY 7 LOCK APPLICATION



SECTION A-A
SCALE 1:1

"A"
5.000" (127.0)
7.000" (177.8)
9.000" (228.6)

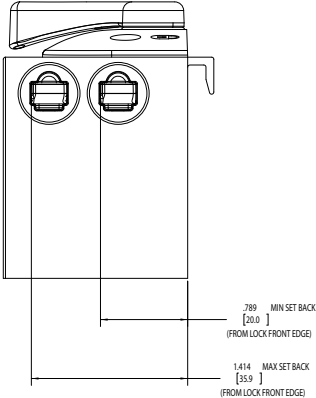
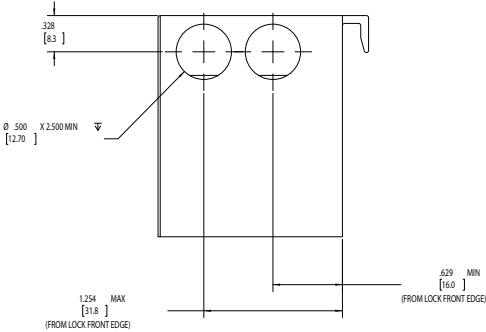
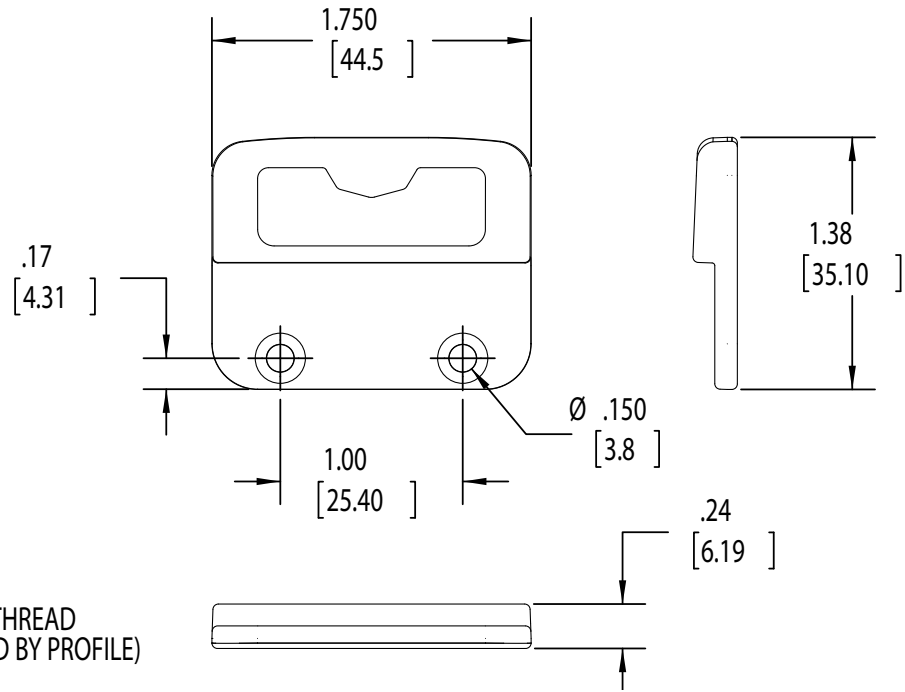


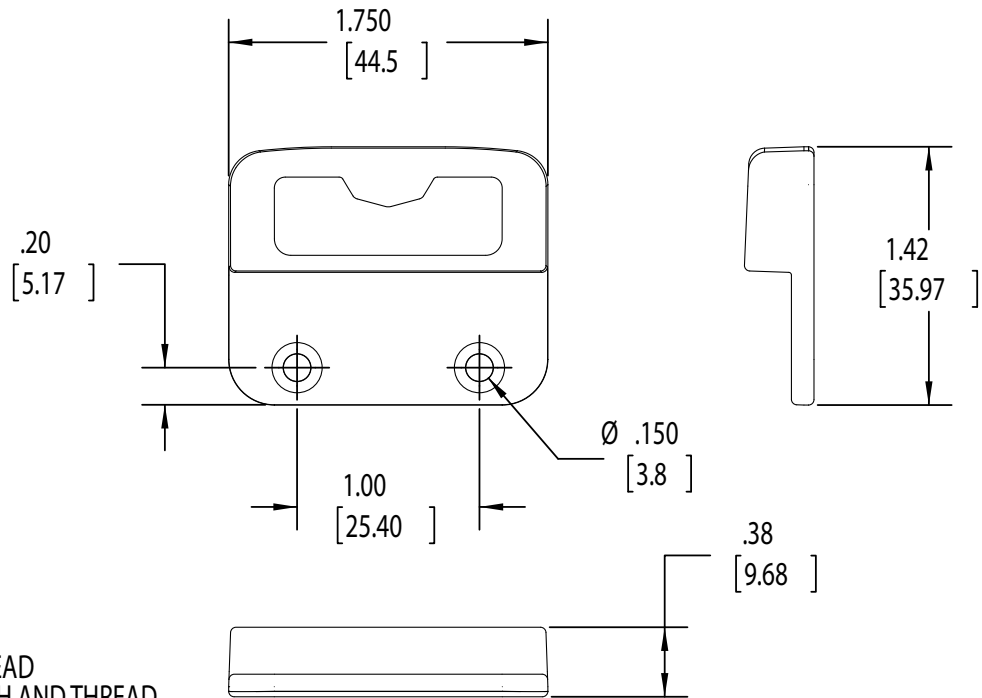
FIG. 15 42052.XX KEEPER



RECOMMENDED SCREWS:

(QTY 2) #6 PHILLIPS FLAT HEAD
SCREWS (LENGTH AND THREAD
TYPE TO BE DETERMINED BY PROFILE)

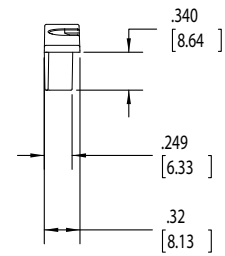
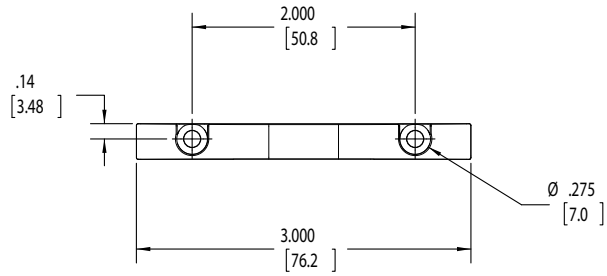
FIG. 16 45674.XX KEEPER



RECOMMENDED SCREWS:

(QTY 2) #6 PHILLIPS FLAT HEAD
SCREWS (LENGTH AND THREAD
TYPE TO BE DETERMINED BY PROFILE)

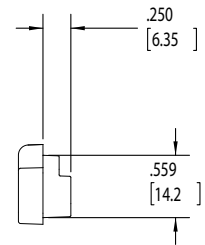
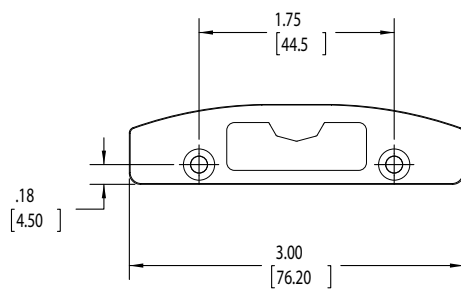
FIG. 17 45678.XX KEEPER



RECOMMENDED SCREWS:

(QTY 2) #6 PHILLIPS FLAT HEAD SCREWS
(LENGTH AND THREAD TYPE TO
BE DETERMINED BY PROFILE)

FIG. 18 33676.XX KEEPER



RECOMMENDED SCREWS:

(QTY 2) #6 PHILLIPS FLAT HEAD SCREWS
(LENGTH AND THREAD TYPE TO
BE DETERMINED BY PROFILE)



Truth Hardware Tilt Latches are designed to provide window manufacturers the highest quality product at a minimum cost. With several variations to choose from, these Tilt Latches are engineered with labor saving and design features to fit virtually every existing window profile in today's marketplace.

MOUNTING OPTIONS

Options include Truth's revolutionary "snap-in" mount and the "hidden mounting fastener", as well as our standard "top mounted" fasteners –each of which affords dependable operation with secure methods for installation. (See following drawings for available options).

WARRANTY:

Protected under the terms of the "Truth Warranty for Window & Door Manufacturers & Authorized Distributors". Refer to Truth's Terms & Conditions for further details

MATERIAL:

Composite assemblies of powder coated cast zinc and/or thermoplastics.

FINISH:

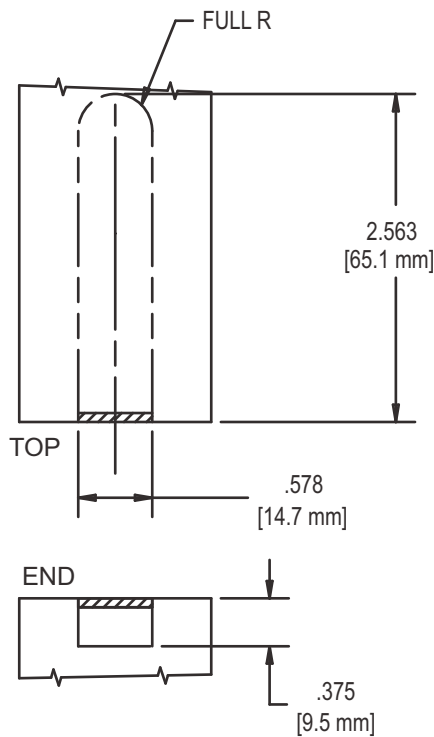
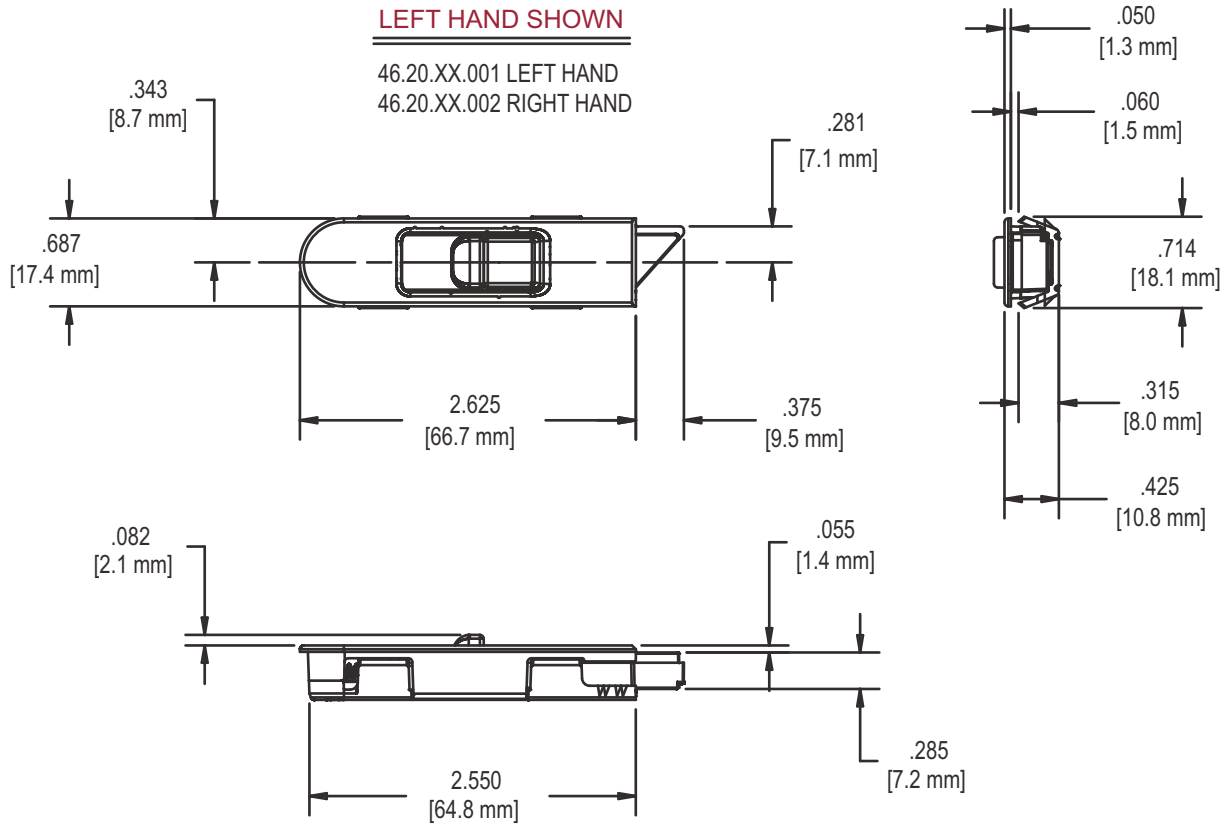
Electrostatically applied, durable coatings that provide excellent resistance to chipping, scratching and corrosion while maintaining color stability for years in direct sunlight. Please refer to Truth's Color Chart for examples of Truth's most popular finish options. Truth also offers a wide range of decorative "plated" finishes – contact Truth for additional information on availability of these finishes on specific product lines.



ORDERING INFORMATION & OPTIONS:

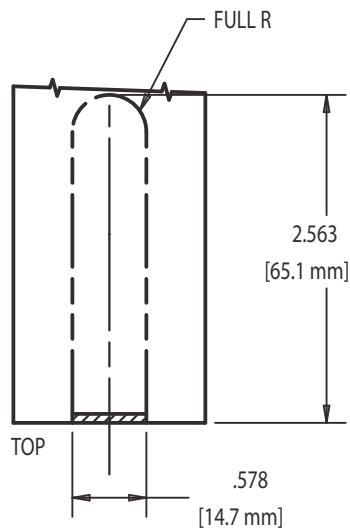
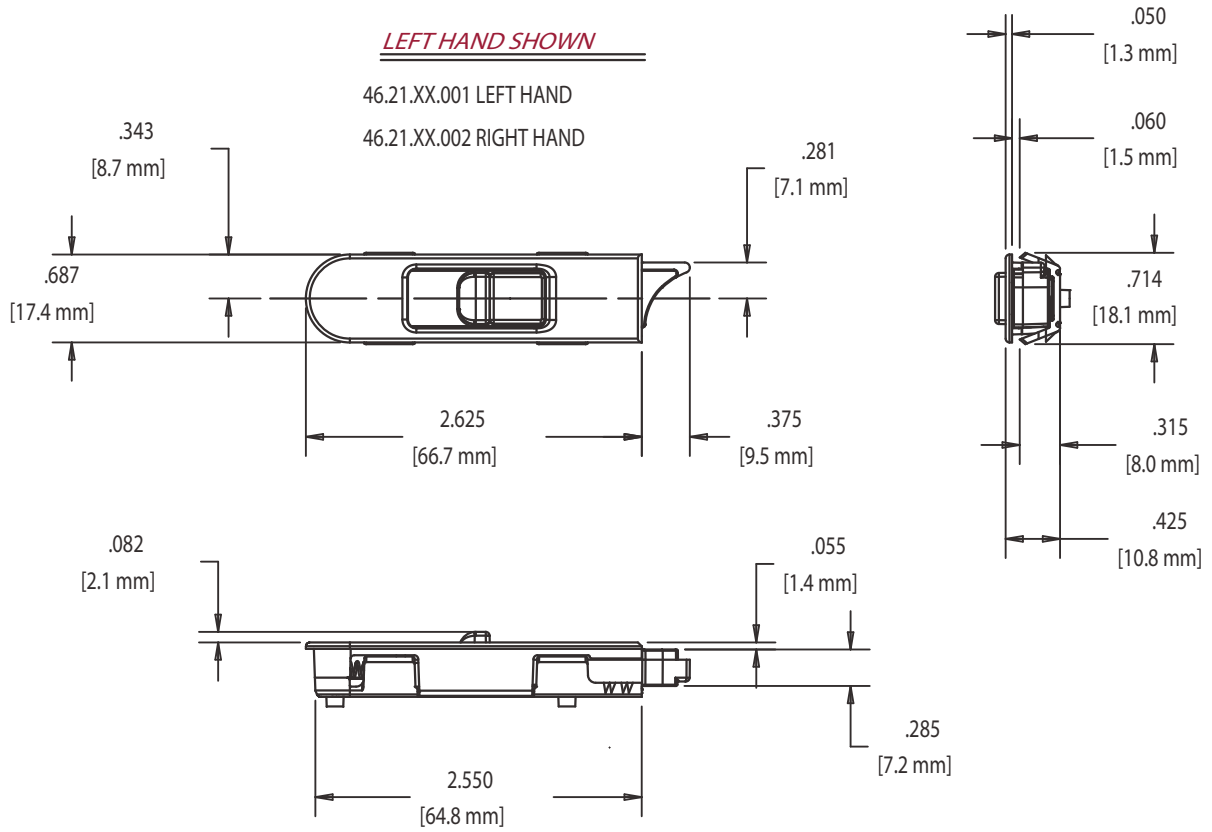
1. Choose Tilt Latch style (specify by part number).
2. Specify left or right hand (if necessary).
3. Order screws required (if necessary).
4. Specify desired finish.

FIG. 1 46.20.XX.001 TILT LATCH



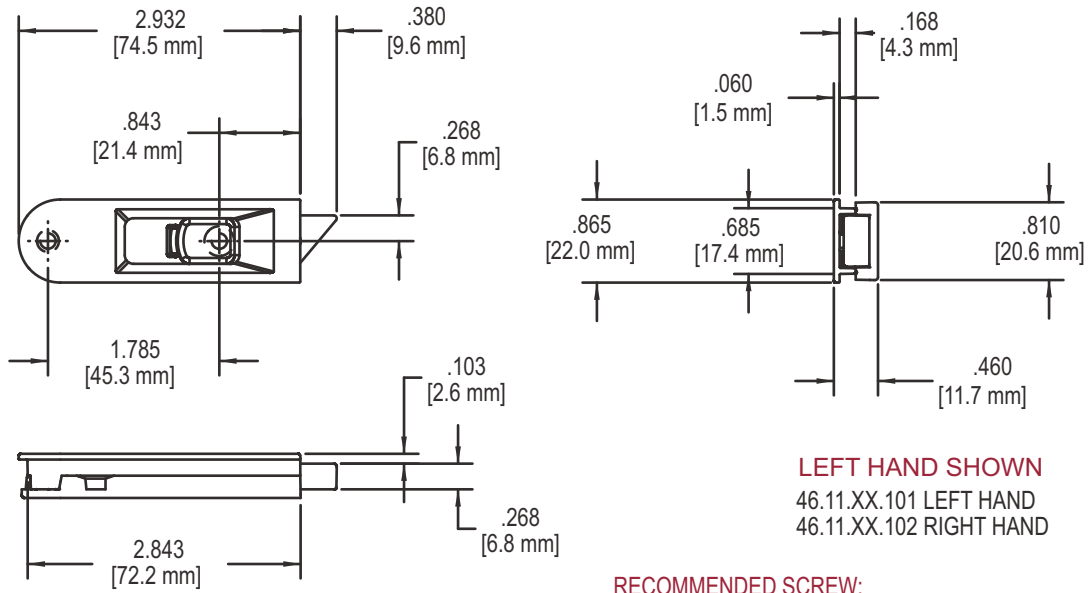
ROUTING DETAIL

FIG. 2 46.21.XX.001 TILT LATCH



ROUTING DETAIL

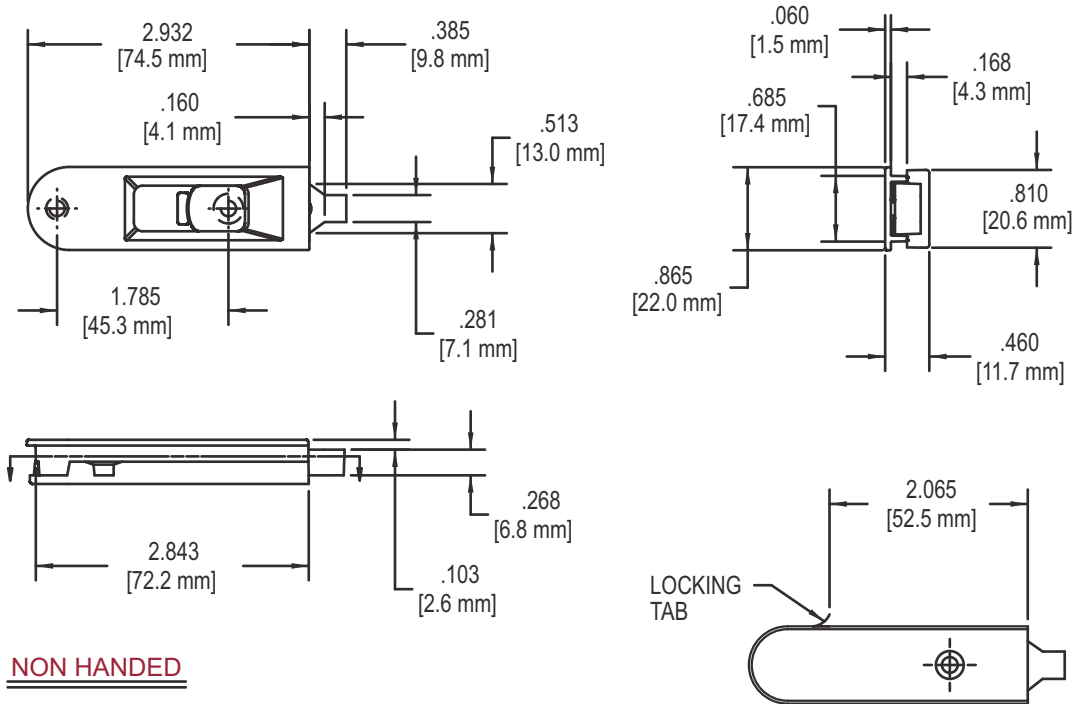
FIG. 3 46.11 TILT LATCH



RECOMMENDED SCREW:

WOOD/PVC: (QTY 2)#8 PHILLIPS FLAT HEAD SCREWS(LENGTH AND THREAD TYPE TO BE DETERMINED BY PROFILE.)

FIG. 4 46.12 TILT LATCH



RECOMMENDED SCREW:

WOOD/PVC: (QTY 2)#8 PHILLIPS FLAT HEAD SCREWS(LENGTH AND THREAD TYPE TO BE DETERMINED BY PROFILE.)

FIG. 5 1038L TILT LATCH (SNAP IN)

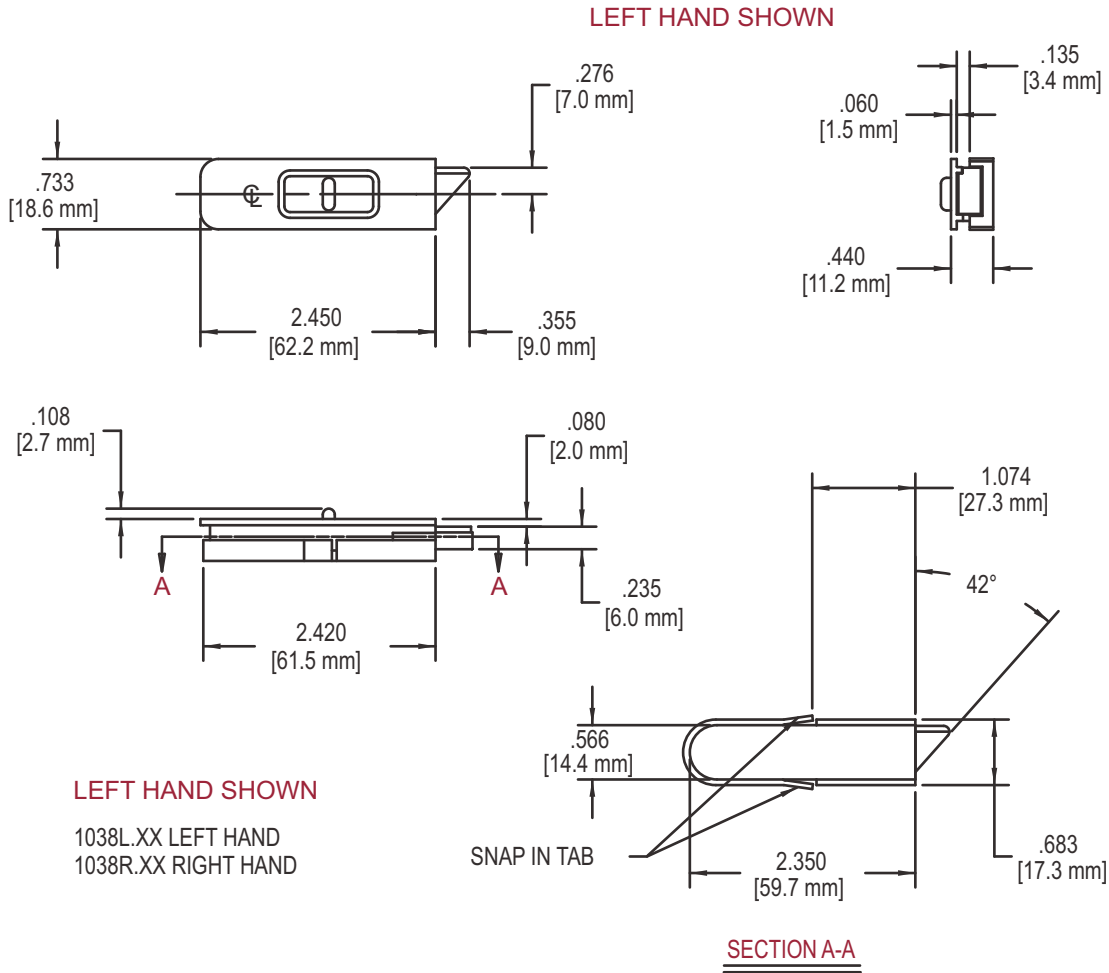
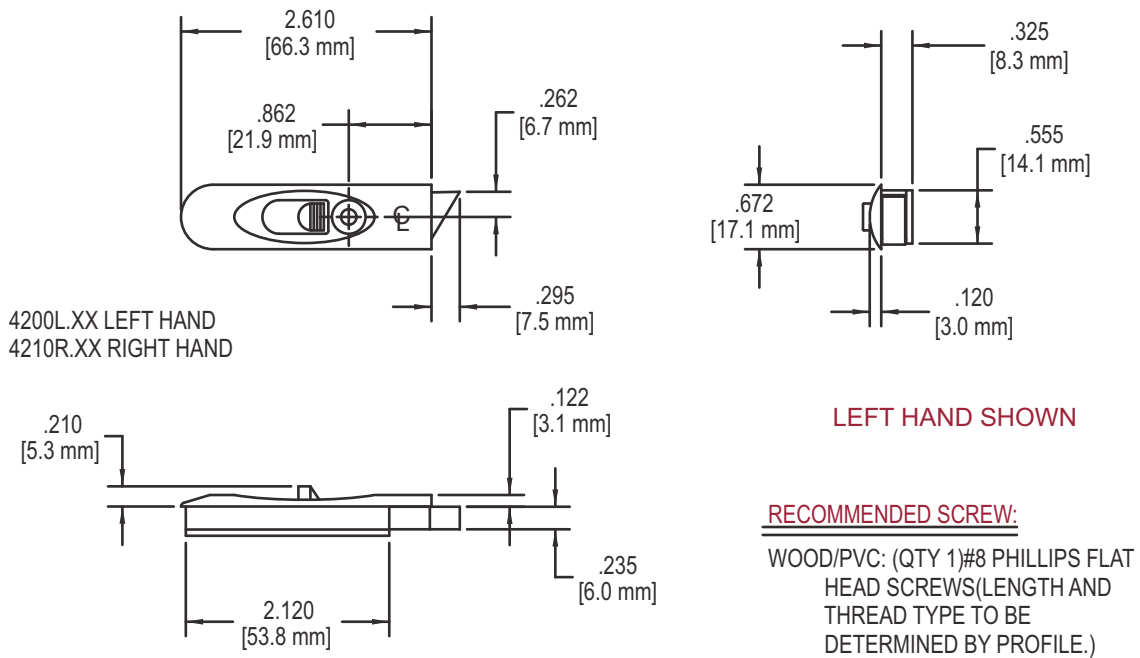
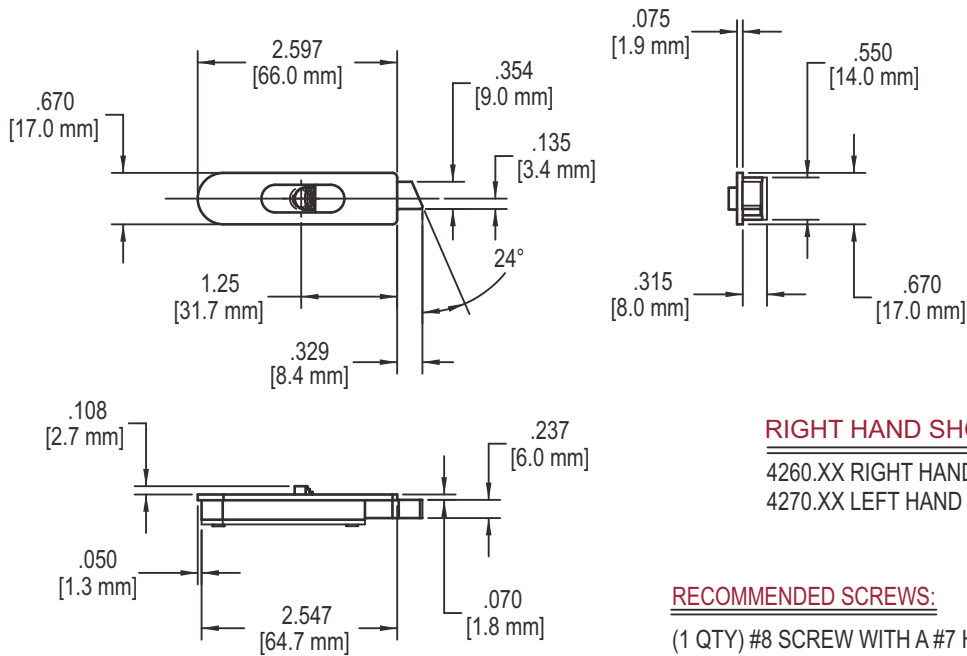


FIG. 6 4200 & 4210 TILT LATCH



TILT LATCHES

FIG. 7 4260 TILT LATCH



RIGHT HAND SHOWN

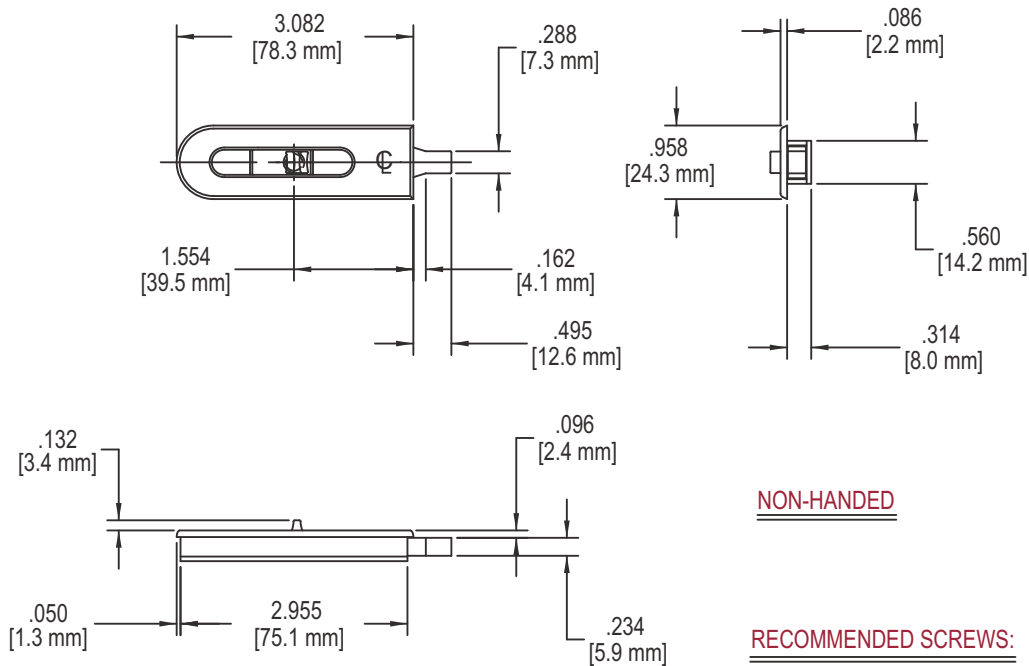
4260.XX RIGHT HAND

4270.XX LEFT HAND

RECOMMENDED SCREWS:

(1 QTY) #8 SCREW WITH A #7 HEAD
(LENGTH AND THREAD TYPE TO BE DETERMINED BY PROFILE)

FIG. 8 4250 TILT LATCH

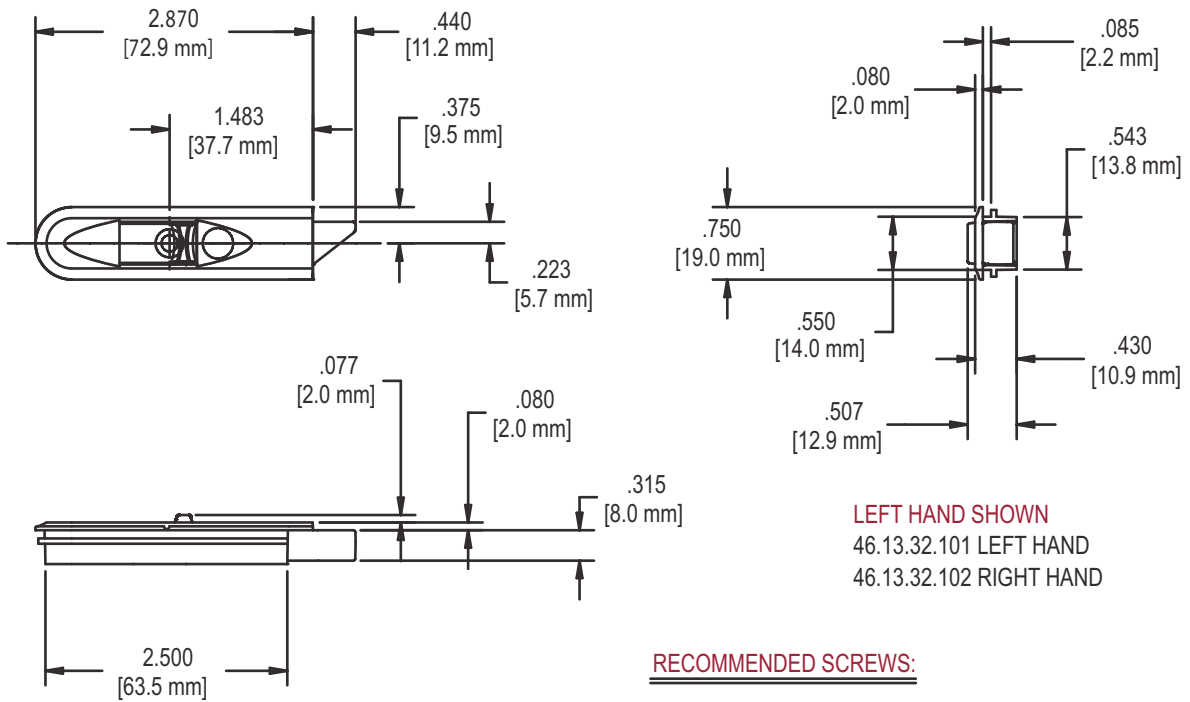


NON-HANDED

RECOMMENDED SCREWS:

(1 QTY) #8 SCREW WITH A #7 HEAD
(LENGTH AND THREAD TYPE TO BE DETERMINED BY PROFILE)

FIG. 9 46.13 TILT LATCH



LEFT HAND SHOWN
 46.13.32.101 LEFT HAND
 46.13.32.102 RIGHT HAND

RECOMMENDED SCREWS:

WOOD/PVC (QTY 1) #6 PHILLIPS FLAT HEAD
 SCREWS (LENGTH AND THREAD TYPE
 TO BE DETERMINED BY PROFILE)





Truth Sash Lifts help provide easy opening and closing of all double-hung or sliding windows. Truth's new #18.16 Series Restoration Sash Lift with its traditional finger-pull look, is designed to complement Truth's #17.02 Series Restoration Lock. Truth's Sash Lifts encourage the lifting of the window from the bottom, thereby putting less stress on the sash than would occur from pushing on the top rail. Durable baked enamel finishes are available to match Truth Check Rail Locks.

WARRANTY: Protected under the terms of the "Truth Warranty for Window & Door Manufacturers & Authorized Distributors". Refer to Truth's Terms & Conditions for further details.

MATERIAL: High-pressure, corrosion resistant, die-cast zinc.

FINISH: Electrostatically applied, durable coatings that provide excellent resistance to chipping, scratching and corrosion while maintaining color stability for years in direct sunlight. Please refer to Truth's Color Chart for examples of Truth's most popular finish options. Truth also offers a wide range of decorative "plated" finishes – contact Truth for additional information on availability of these finishes on specific product lines.

ORDERING INFORMATION & OPTIONS:

1. Choose Sash Lift style (specify by part number).
2. Specify finish number.

RECOMMENDED SCREWS:



Types of screws required determined by material of profile used (sold separately). For additional information regarding screw selection - see Truth Tips.

TRUTH TIPS:

1. For accurate hardware placement in vinyl or metal applications, pre-drilling of the window profile is recommended.
2. For vinyl window applications, mounting screws should pass through two PVC walls, or one PVC wall and one insert wall. For this reason, it may be necessary to use a longer screw than is recommended.
3. For metal window profiles, Truth recommends stainless steel machine screws. However, in most applications, stainless steel sheet metal screws will provide adequate holding power.

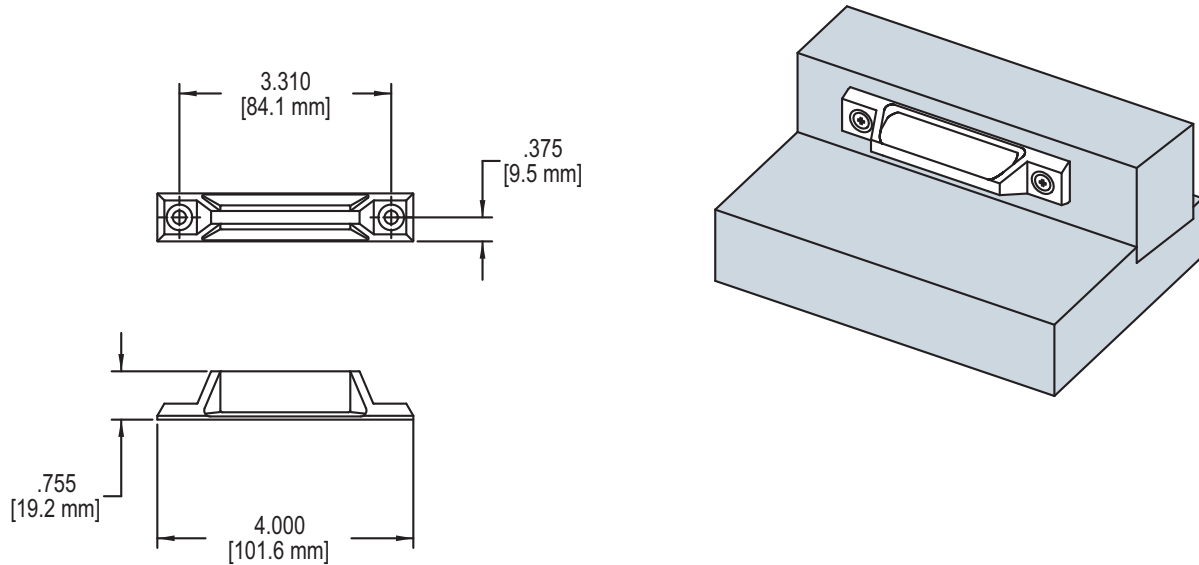
INCLUDE TRUTH SPECS ON YOUR NEXT WINDOW PROJECT

Window sash handles shall be included which will provide a positive grip on the sash for easy window operation, while having a low profile appearance. The sash handles shall be constructed of a high pressure zinc alloy die casting.

Window handles/sash lifts shall be manufactured by Truth Hardware.

18.10 SASH LIFTS

FIG. 1 18.10 SASH LIFT

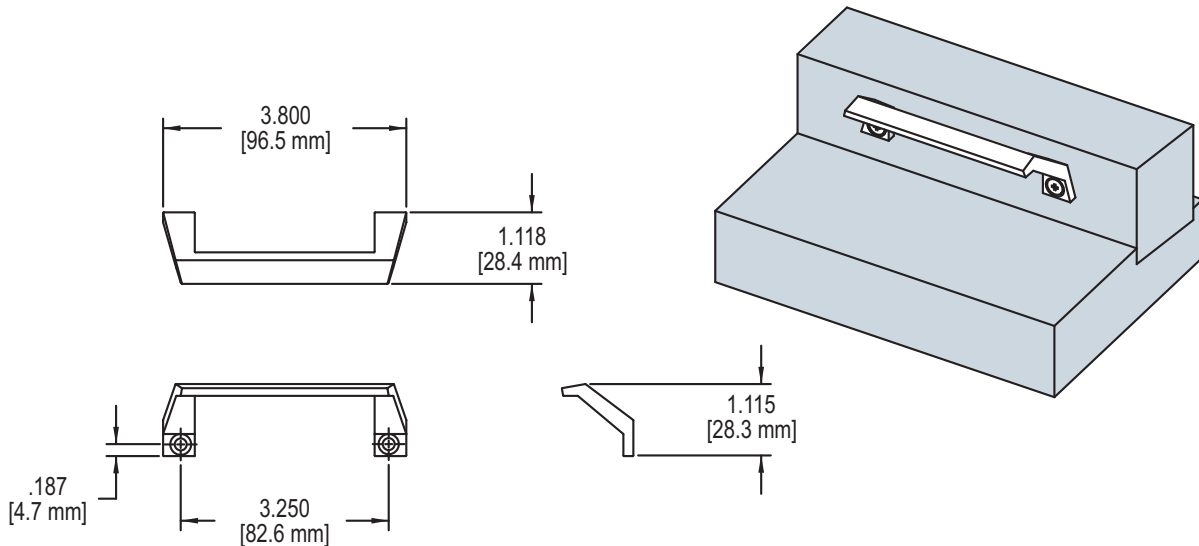


RECOMMENDED SCREWS:

WOOD: (QTY 2) (P/N 19380) #8 PHILLIPS, FLAT HEAD, SHEET METAL SCREWS

PVC/METAL: (QTY 2) #10 PHILLIPS, FLAT HEAD (LENGTH AND THREAD TYPE TO BE DETERMINED BY PROFILE)

FIG. 2 18.11 SASH LIFT

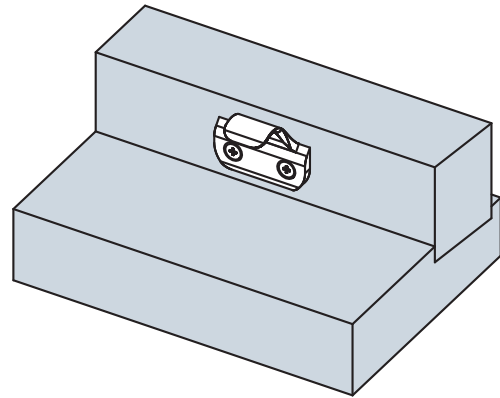
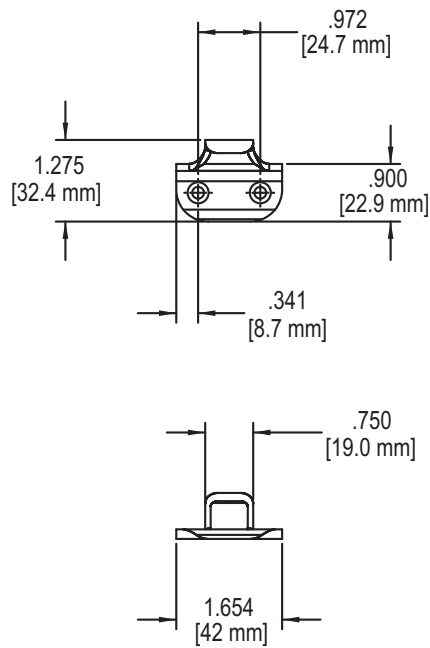


RECOMMENDED SCREWS:

WOOD: (QTY 2) (P/N 19380) #10 X 1.0 PHILLIPS, FLAT HEAD, SHEET METAL SCREWS

PVC/METAL: (QTY 2) #10 PHILLIPS, FLAT HEAD (LENGTH AND THREAD TYPE TO BE DETERMINED BY PROFILE)

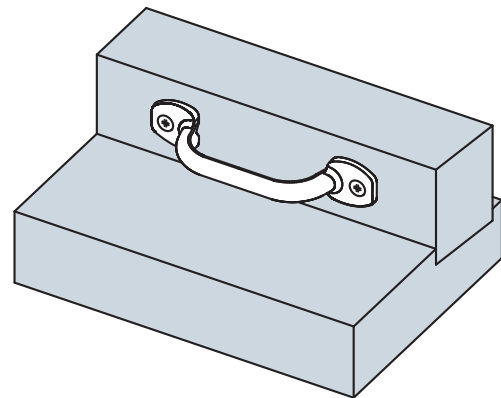
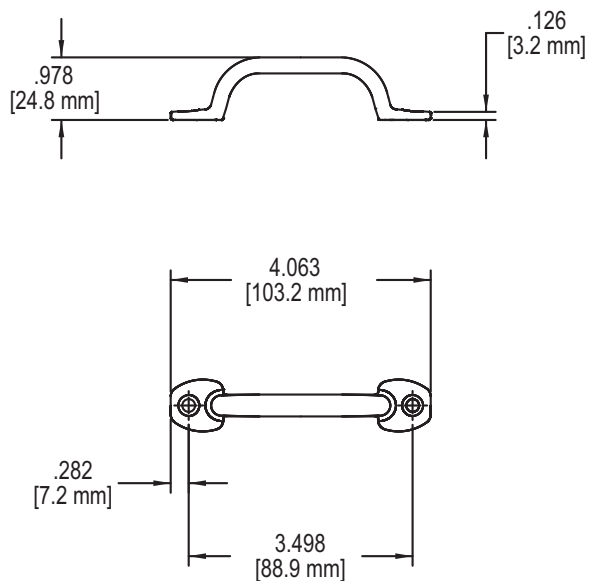
FIG. 3 18.16 SASH LIFT



RECOMMENDED SCREWS:

(QTY 2) #8-32 PHILLIPS FLAT HEAD SREW (LENGTH AND THREAD TYPE TO BE DETERMINED BY PROFILE)

FIG. 4 11861.XX SASH LIFT

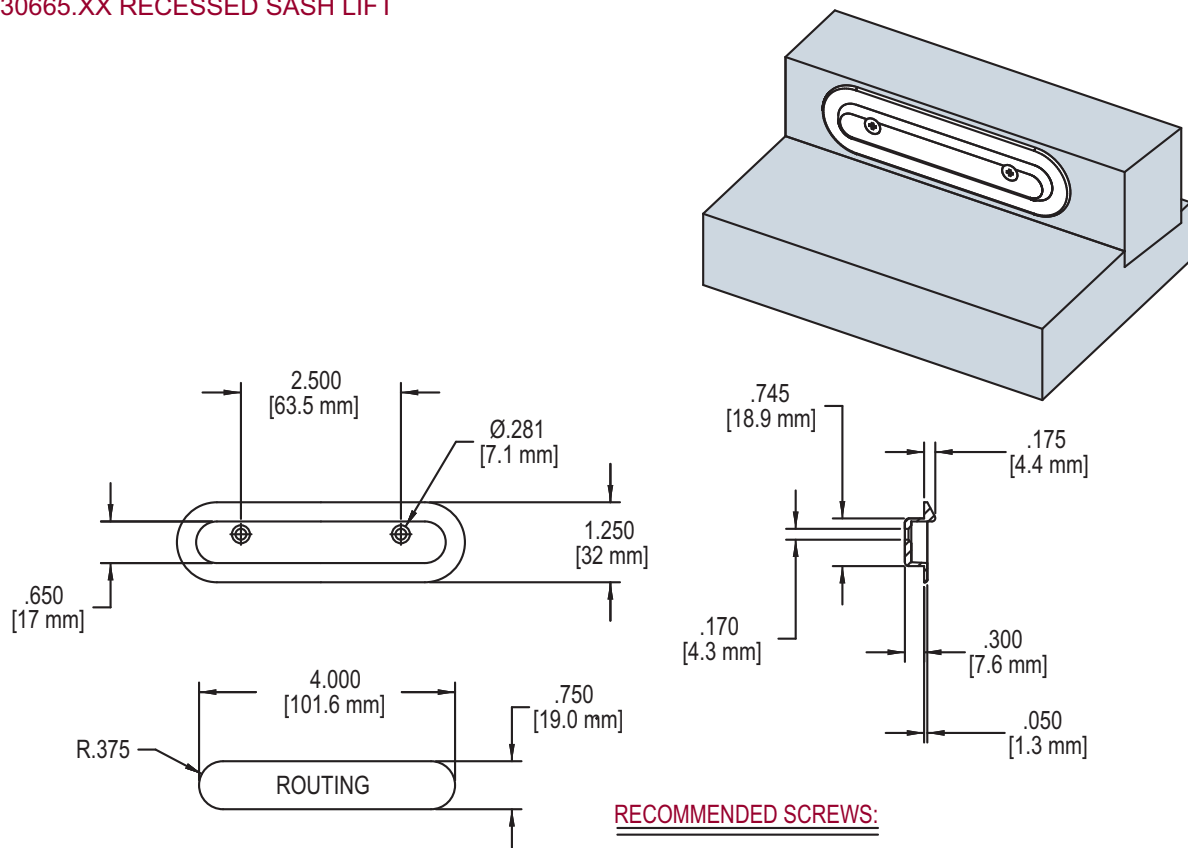


RECOMMENDED SCREWS:

(QTY 2) #8-32 PHILLIPS FLAT HEAD SREW (LENGTH AND THREAD TYPE TO BE DETERMINED BY PROFILE)

18.10 SASH LIFTS

FIG. 5 30665.XX RECESSED SASH LIFT



RECOMMENDED SCREWS:

WOOD: (QTY 2) (P/N 19051) #6 X 1" PHILLIPS
FLAT HEAD SHEET METAL SCREWS.



Truth Hardware offers a wonderful series of rollers designed specifically for the window market. Truth's 4231 and 4233 Series Window Rollers help create almost effortless travel for slider windows. Available with brass wheels and mounted into a sturdy nylon case, Truth's Window Rollers will produce long-lasting reliable service for the homeowner. Truth's window rollers are rated for up to a 30 lb. sash (2 rollers per sash). Please refer to the following drawings to see the models available.

WARRANTY: Protected under the terms of the "Truth Warranty for Window & Door Manufacturers & Authorized Distributors". Refer to Truth's Terms & Conditions for further details.

ORDERING INFORMATION & OPTIONS:

Because of the variety of slider windows on the market, Truth Hardware suggests that you contact our Product Specialists to help you identify the components that will best meet your requirements. To assist us in helping you identify the product that you need, please be prepared to provide Truth with:

1. The type and style of profile that you are mounting the hardware to.
2. The Truth Hardware Model Number that you are interested in.



WINDOW ROLLERS

FIG. 1 4233-1000 ROLLER

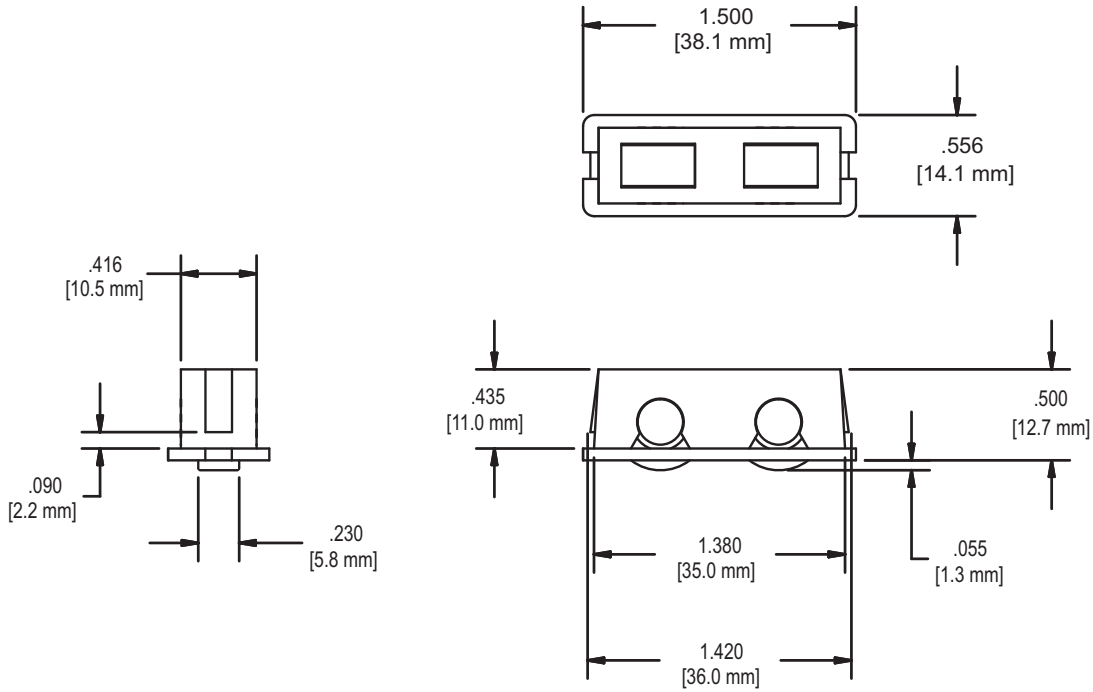
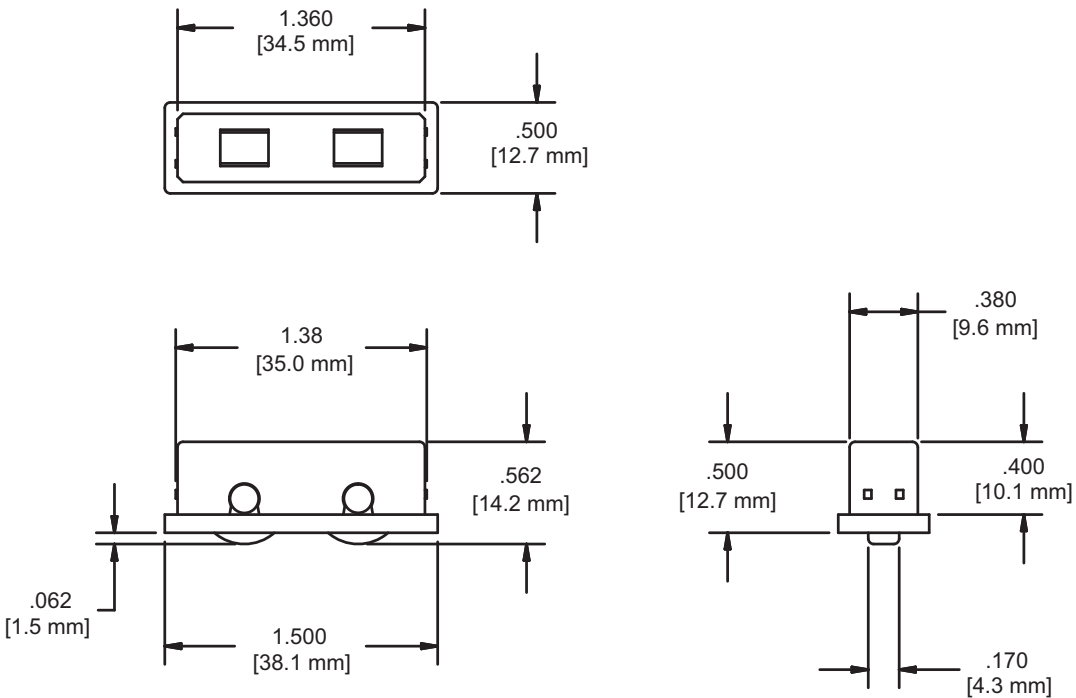


FIG. 2 4231-1000 ROLLER





Truth Hardware offers a complete line of Pivot Bars designed to accommodate most window profiles and application needs. Please refer to the following drawings to see the models available.

WARRANTY: Protected under the terms of the "Truth Warranty for Window & Door Manufacturers &

Authorized Distributors". Refer to Truth's Terms & Conditions for further details.

ORDERING INFORMATION & OPTIONS:

Because of the variety of windows on the market, Truth Hardware suggests that you contact our Product Specialists to help you identify the Pivot Bars that

will best meet your requirements. To assist us in helping you identify the product that you need, please be prepared to provide Truth with:

1. The type and style of profile that you are mounting the hardware to.
2. The Truth Hardware Model Number that you are interested in.

FIG. 1 23095 PIVOT BAR

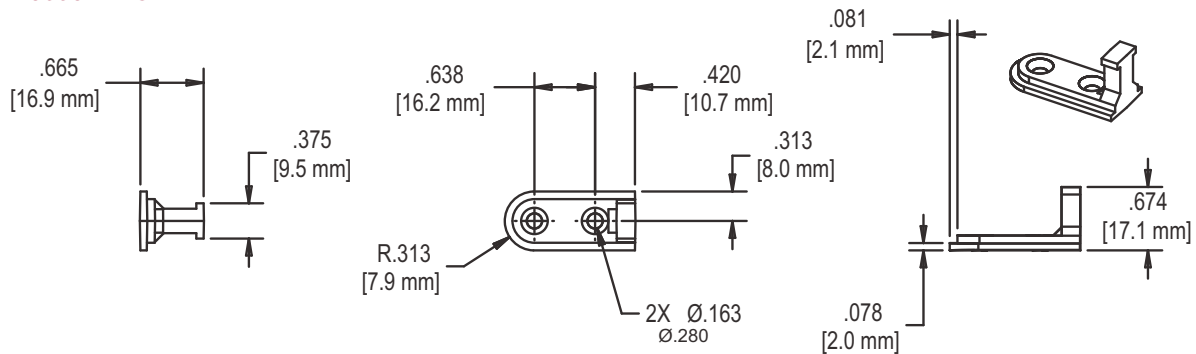


FIG. 2 32935 LH PIVOT BAR NO WINGS

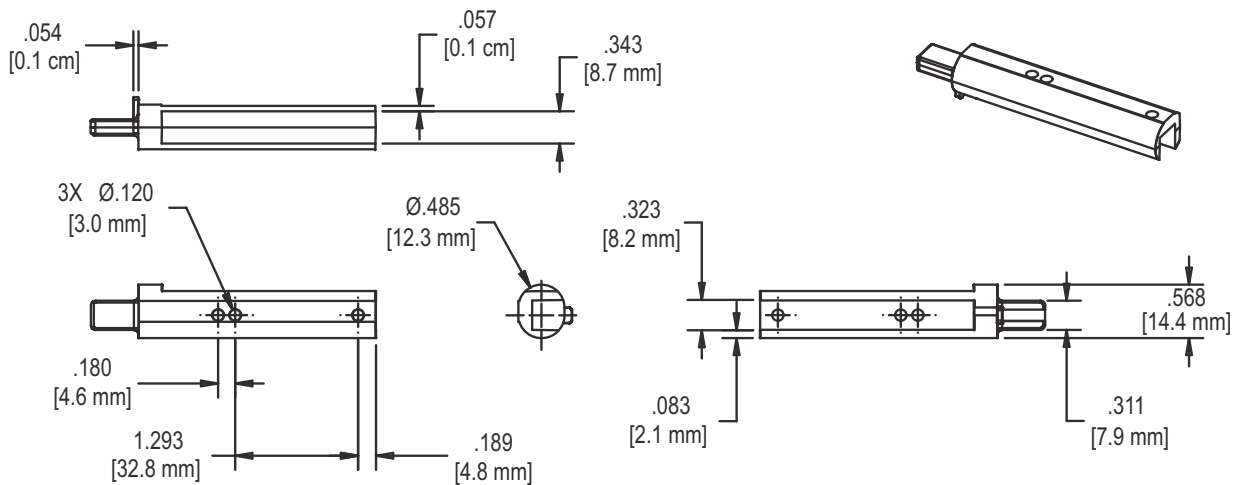


FIG. 3 32934 RH PIVOT BAR NO WINGS

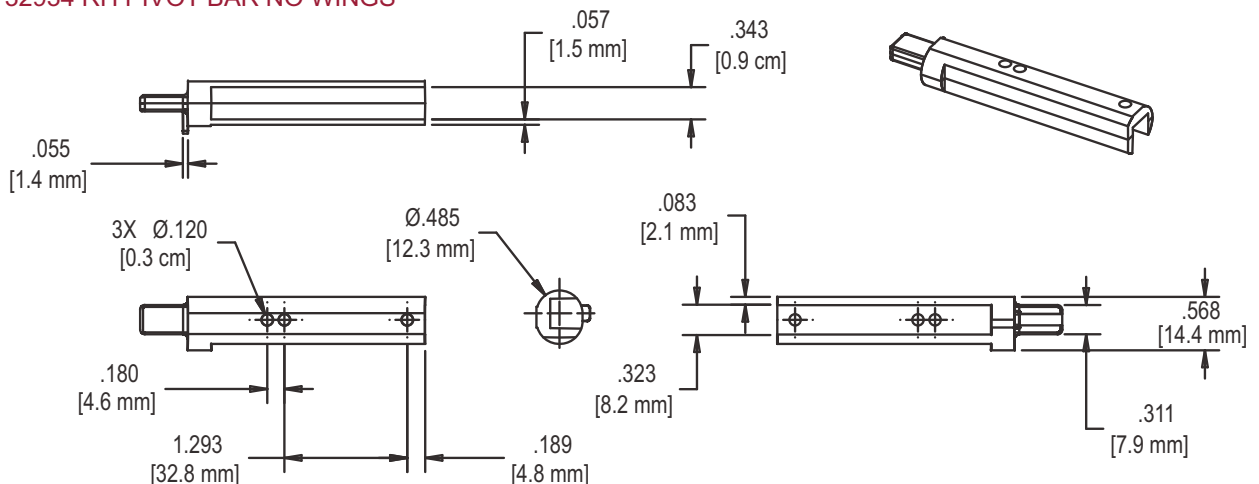


FIG. 4 32937 PIVOT BAR

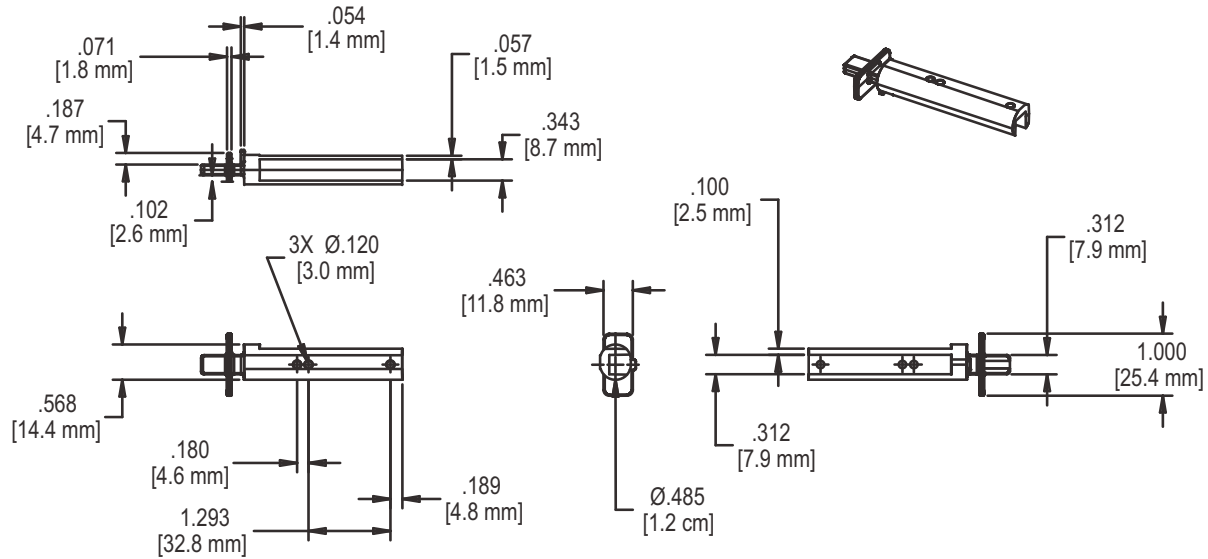


FIG. 5 32936 RH PIVOT BAR

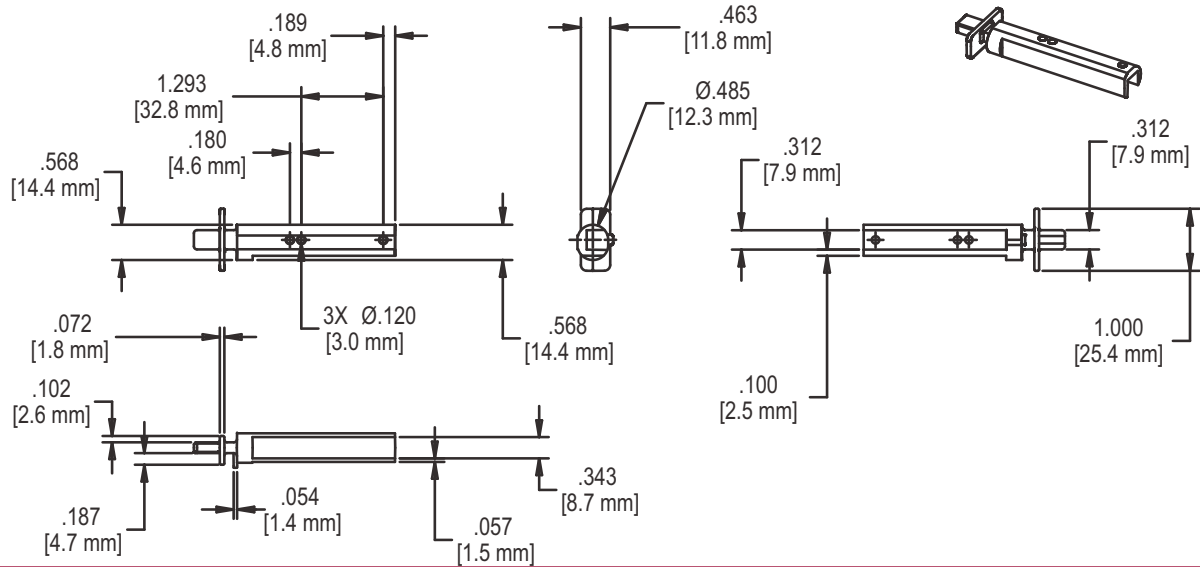
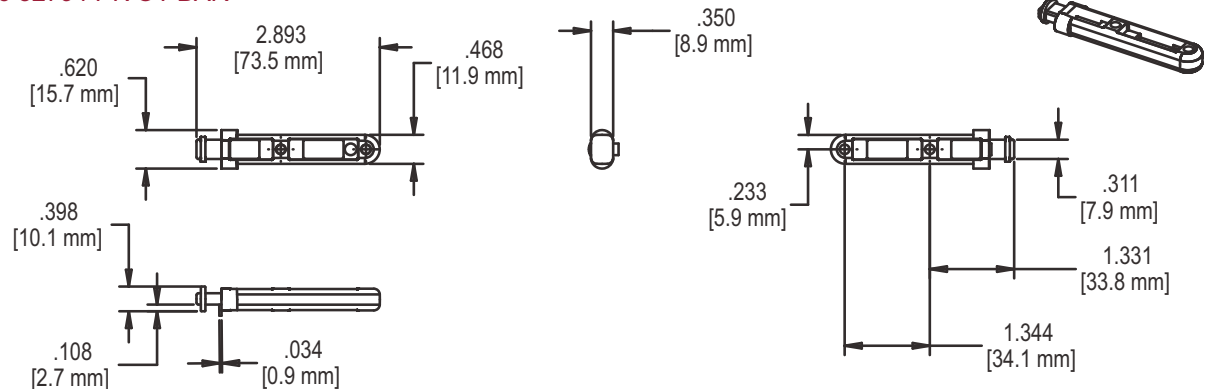


FIG. 6 32794 PIVOT BAR





Truth Hardware offers Vent Stops as an accessory for your sliding window. These snap-fit plastic components help limit the travel of the sliding window.

WARRANTY: Protected under the terms of the "Truth Warranty for Window & Door Manufacturers & Authorized Distributors". Refer to Truth's Terms & Conditions for further details.

FIG. 1 22833 VENT STOP

